

CLEANMAX™

Commercial Vacuums by Tacony Corporation

Owner's Manual for the CleanMax

ZOOM



Models ZM-500 & ZM-700

Getting Started

Important Safety Instructions	2
Grounding Instructions	3
Description of the Vacuum	4
Assembling the Vacuum	5-6

Operation

Reclining the Handle	7
On/Off Switch	7
Edge Cleaning	7
Automatic Carpet Height Adjustment	7
Bare Floor Cleaning	7

Maintenance and Care

Power Cord Care	8
Vacuumping Under Furniture	8
Replacing the Vacuum Bag	9
Removing/Reinstalling the Bottom Plate	10
Replacing the Agitator Belt	11
Lifetime Belt Protection	11
Brushroll Jam Indicator	12
Resetting the Circuit Breaker	13
Replacing the Squeegee	13

Key Replacement Parts	14
------------------------------------	----

For Best Performance	14
-----------------------------------	----

Warranty	15
-----------------------	----

IMPORTANT SAFETY INSTRUCTIONS

When using an electrical appliance, basic precautions should always be followed, including the following:

READ ALL INSTRUCTIONS BEFORE USING THIS APPLIANCE

IMPORTANT: The manufacturer cannot accept responsibility for damage caused when the appliance is not used according to the instructions, or for uses other than those for which it was intended.

WARNING: To reduce the risk of fire, electric shock or injury:

- Do not leave appliance when plugged in. Unplug from outlet when not in use and before servicing.
- Do not use outdoors or on wet surfaces.
- Do not allow to be used as a toy. Close attention is necessary when used by or near children.
- Use only as described in this manual.
- Do not use with damaged cord or plug. If appliance is not working as it should, has been dropped, damaged, left outdoors, or dropped into water, return it to the distributor where purchased for service.
- Do not pull or carry by cord, use cord as a handle, close a door on the cord, or pull cord around sharp edges or corners. Do not run appliance over cord. Keep cord away from heated surfaces.
- Do not unplug by pulling on cord. To unplug, grasp the plug, not the cord.
- Do not handle plug or appliance with wet hands.
- Do not put any object into openings. Do not use with any opening blocked; keep free of dust, lint, hair and anything that may reduce air flow.
- Keep hair, loose clothing, fingers and all parts of body away from openings and moving parts.
- Do not pick up anything that is burning or smoking, such as cigarettes, matches or hot ashes.
- Do not use without vacuum bag in place.
- Turn off all controls before unplugging.
- Use extra care when cleaning on stairs.
- Do not use to pick up flammable or combustible liquids such as gasoline or use in areas where they may be present.
- Do not attempt to service the unit while appliance is plugged in.
- Connect to a properly grounded outlet only. See Grounding Instructions.
- Make sure your extension cord is in good condition and is the correct size for your appliance, i.e. 16 AWG. If in doubt, use the next heavier gage. The smaller the gage number, the heavier the cord. An undersized extension cord will cause a drop in line voltage resulting in loss of power and overheating.
- Use only three-wire outdoor extension cords that have three-prong grounding plugs and grounding receptacles that accept the appliance's plug.
- Warning - To reduce the risk of personal injury due to a loose electrical connection between the appliance's plug and extension cord, firmly and fully attach the appliance plug to the extension cord. Periodically check the connection while operating to ensure it is fully attached. Do not use an extension cord that provides a loose connection. A loose connection may result in overheating, fire, and increases the risk of a burning.
- To reduce the risk of disconnection of the appliance cord from the extension cord during operating, secure the extension cord to the appliance plug as shown or described in the Operating Instructions

SAVE THESE INSTRUCTIONS.

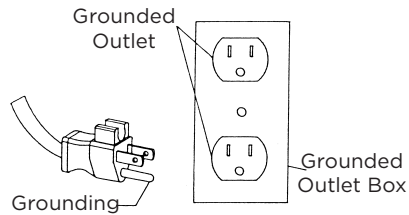
Grounding Instructions

This vacuum cleaner must be grounded. If it should malfunction or break down, grounding provides a path of least resistance for electric current to reduce the risk of electric shock. This vacuum cleaner is equipped with a cord having an equipment-grounding conductor and grounding plug. The plug must be plugged into an appropriate outlet that is properly installed and grounded in accordance with all local codes and ordinances.

This vacuum cleaner is for use on a nominal 120-volt circuit and has a ground plug (see illustration). Make sure that the vacuum is connected to an outlet having the same configuration as the plug. No adapter should be used with this vacuum.

WARNING:

Improper connection of the equipment-grounding conductor can result in the risk of electric shock. Check with a qualified electrician or service person if you are in doubt as to whether the outlet is properly grounded. Do not modify the plug provided with the vacuum - if it will not fit the outlet, have a proper outlet installed by a qualified electrician.

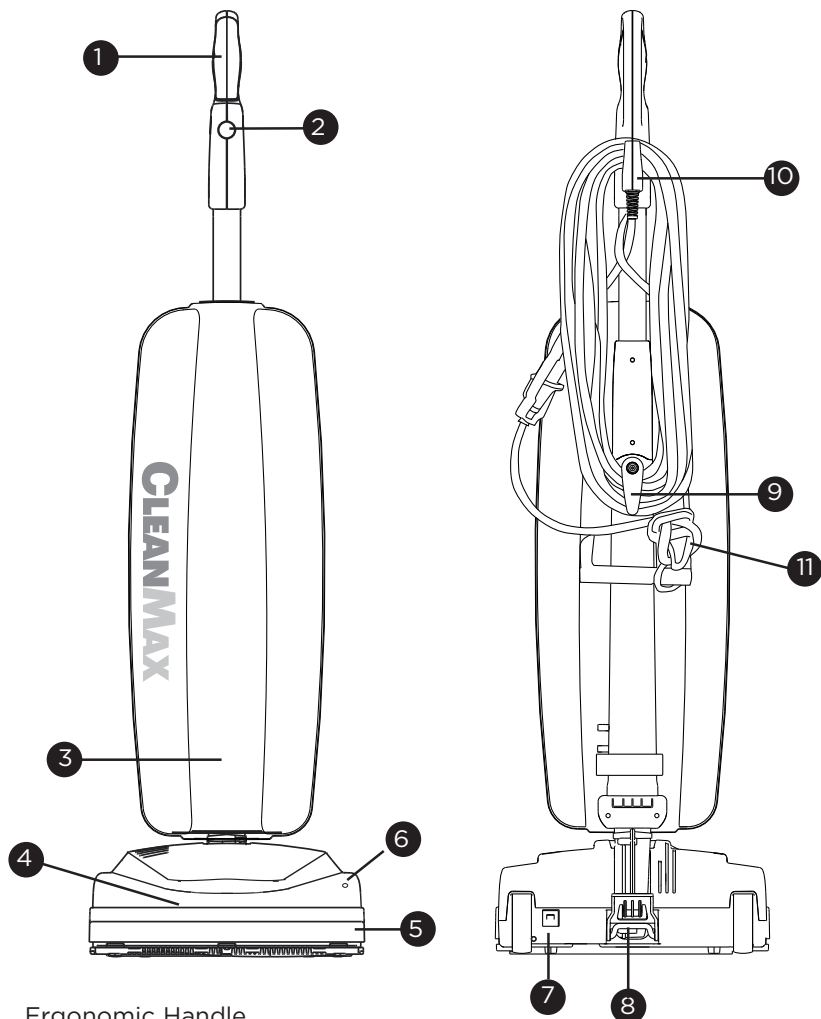


State of California Proposition 65 Warnings:

WARNING: This product contains one or more chemicals known to the State of California to cause cancer.

WARNING: This product contains one or more chemicals known to the State of California to cause birth defects or other reproductive harm.

Description of the Vacuum



- 1 Ergonomic Handle
- 2 On/Off Power Switch, Two Speed
- 3 Bag Compartment
- 4 Vacuum Nozzle
- 5 Furniture Guard
- 6 Brushroll Jam Indicator (Model ZM-700)
- 7 Circuit Breaker Reset Button
- 8 Handle Release Pedal
- 9 Quick Release Cord Hook
- 10 Upper Cord Hook
- 11 Cord Restraint

Assembling the Vacuum

Attaching the Handle to the Vacuum

NOTE: Do not plug in the vacuum until it is completely assembled.

The vacuum cleaner and the handle are packed separately and require assembly.

- Thread the cord through the lower and upper cord guides on the back of the vacuum bag (Fig. 1).
- Remove the handle bracket by removing the two screws (Fig. 2).
- Place handle onto the back of the vacuum, aligning holes with pegs (Fig. 3).
- Place the handle bracket back into position (Fig. 4).
- Secure with two screws removed in Step 2.
- Open the bag compartment to ensure a vacuum bag is in place.
- Your vacuum is now ready for use.
- If storing the vacuum, wrap the cord clockwise around the top and bottom cord hooks. Fasten the plug to the wrapped cord using the channel on the plug.

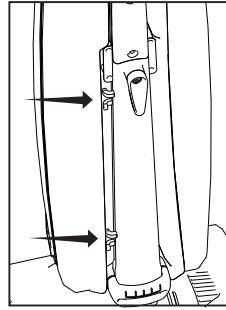


Fig. 1

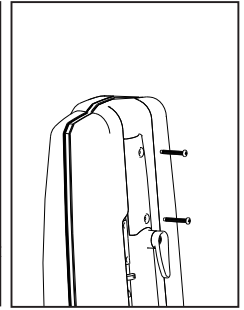


Fig. 2

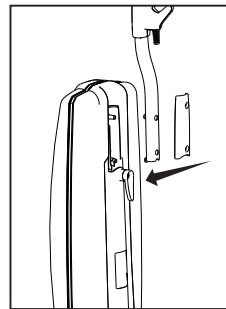


Fig. 3

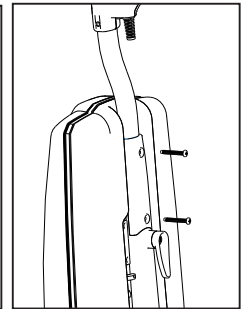


Fig. 4

Assembling the Vacuum

Attaching the Extension Power Cord to the Cord Lock

- Connect the extension power cord to the pigtail cord on the vacuum.
- Snap the extension power cord into the slot on the end of the cord lock.
- Turn the knob on the bottom of the cord lock to tighten the lock and prevent the cords from pulling apart (Fig. 1).

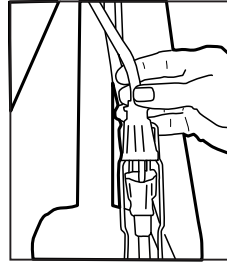


Fig. 1

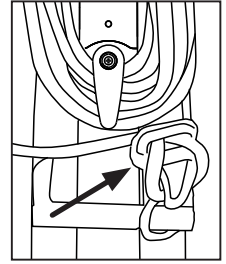


Fig. 2

Attaching the Cord Retainer to the Handle

- Pull apart the rounded end of the cord retainer to open it up enough to fit around the carry handle (Fig. 2).
- Attach the cord retainer around the carry handle.
- Create a loop in the power cord and push it through the slot and over the hook of the cord retainer.
- Pull down on the power cord to remove any slack.

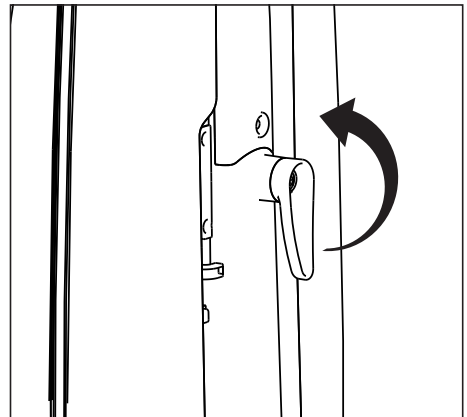


Fig. 3

Unwinding the Power Cord

- The lower cord hook rotates to allow for quick access to the power cord (Fig. 3). Turn the lower cord hook upward and you can quickly drop the power cord to the floor without unwinding it from the cord hooks.
- When storing the vacuum cleaner, turn the lower cord hook to the downward position and wind the power cord around the cord storage hooks.

Reclining the Handle

- Press the handle release pedal located on the back of the vacuum with your foot to recline the handle (Fig. 1).

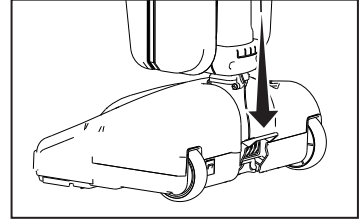


Fig. 1

On/Off Switch, Two Speed

- The power switch located on the vacuum handle, is a three-way switch (Fig. 2). The middle position is the “Off” setting, the rear position is the “On” setting and the forward position is for “Maximum Power” (Fig. 3).
- Use the “Maximum Power” setting for carpet cleaning. Use the “On” setting for cleaning bare floors and throw rugs. Always turn the vacuum cleaner to the “Off” setting before unplugging it from the electrical outlet.

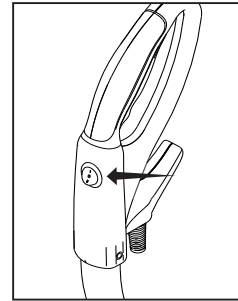


Fig. 2

Edge Cleaning

The edge cleaning feature provides improved cleaning near walls and stationary furniture. For maximum edge cleaning, place the left side of the nozzle, from the user’s perspective, against the wall or stationary furniture.

Automatic Carpet Height Adjustment

Your vacuum is designed with an automatic self-adjusting nozzle. No manual adjustments are required. The height of the nozzle automatically adjusts to the flooring surface. This self-adjusting feature allows the nozzle to float evenly over all flooring surfaces.

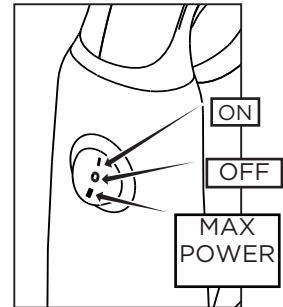


Fig. 3

Bare Floor Cleaning

Your vacuum is equipped with a squeegee on the bottom of the vacuum to improve its effectiveness in cleaning bare floors (Fig. 4). When cleaning tile, hardwood, vinyl, etc., use the “On” setting for best results.

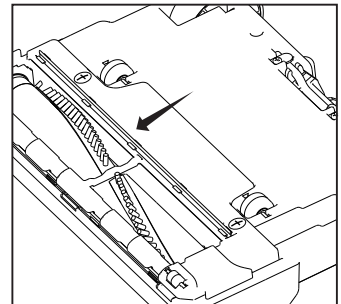


Fig. 4

Maintenance and Care

Power Cord Care

- If the cord or plug has any apparent damage, refrain from using the vacuum. Please visit an Authorized CleanMax Distributor for a new cord or plug.
- When the vacuum is in use, hold the cord to keep from running over it.
- Avoid obstructions and do not pull the cord around sharp edges or corners.
- Always keep the cord away from heated surfaces and never close doors on it as this may cause damage to the wiring.
- To unplug, always grasp the plug, not the cord.

Vacuuming Under Furniture

Your vacuum will lay flat on the floor for effective cleaning under beds and tables.

- Press the handle release pedal once for normal vacuum cleaning (Fig. 1).
- Continue to lower the handle to enable the vacuum to lay flat on the floor (Fig. 2).

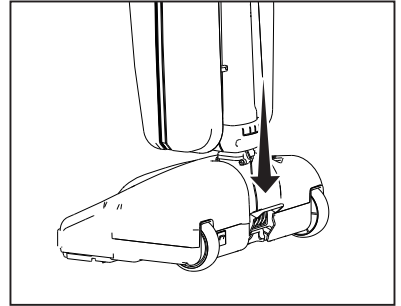


Fig. 1

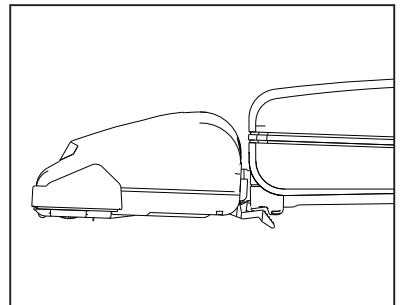


Fig. 2

Replacing the Vacuum Bag

NOTE: Unplug the vacuum cleaner from the electrical outlet before changing the bag.

- Unzip the bag compartment.
- Remove the used vacuum bag by pulling the green bag collar tab away from the vacuum (Fig. 1). Slide the used bag out of the bag holder which automatically seals the bag opening (Fig. 2). Discard the used bag.
- To install a new bag, slide the bottom of the green bag collar into the bag holder until it “snaps” into place (Fig. 3).
- Push the top of the bag collar upward until the collar “snaps” into place on the vacuum (Fig. 4).
- Tuck the bag corners into the bag compartment then zip the bag compartment closed.

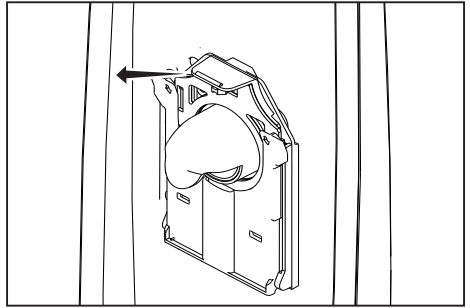


Fig. 1

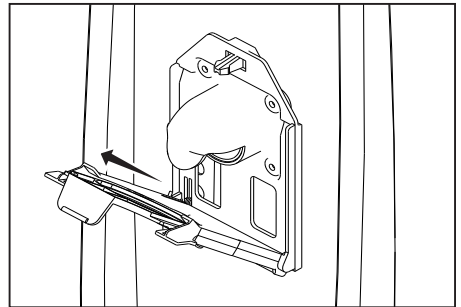


Fig. 2

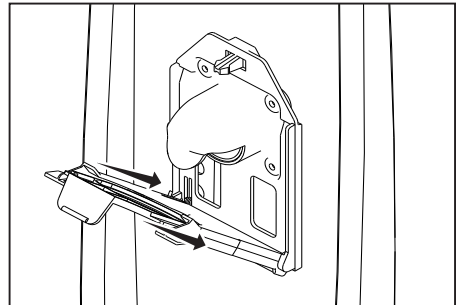


Fig. 3

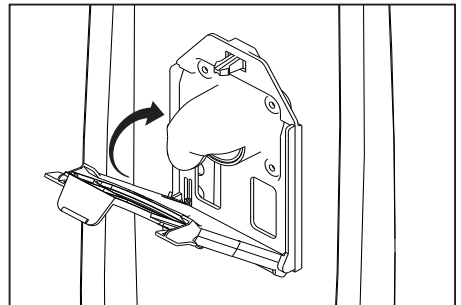


Fig. 4

Maintenance and Care

Removing and Reinstalling the Bottom Plate

WARNING! To reduce the risk of electrical shock or injury from moving parts, unplug before servicing or cleaning.

To Remove the Bottom Plate:

- Press the handle release pedal to place the vacuum cleaner in the flat position.
- Turn the vacuum cleaner over, exposing the bottom plate.
- Turn the two screws a quarter turn to release the bottom plate (Fig. 1). Remove the bottom plate.
- Reinstall the bottom plate by aligning the front edge of the bottom plate into the notches inside the nozzle housing (Fig. 2).
- Press the bottom plate into position until the plate “clicks” on both sides. Tighten the two screws a quarter turn to secure the bottom plate.

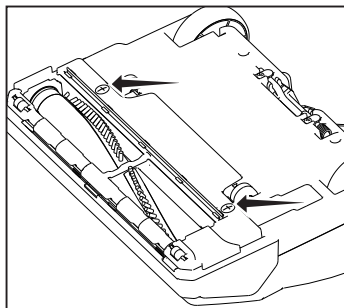


Fig. 1

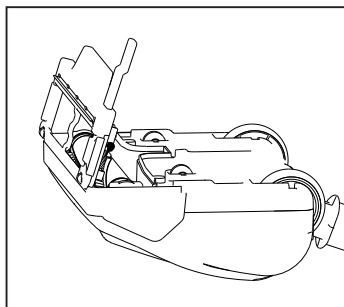


Fig. 2

Replacing the Agitator Belt

(Model ZM-500)

WARNING! To reduce the risk of electrical shock or injury from moving parts, unplug before servicing or cleaning.

NOTE: To ensure maximum cleaning efficiency, the belt should be checked regularly to be sure it is in good condition. Check to see if the belt is stretched, cracked, or if excessive slipping is occurring. Replace if needed.

- Remove the bottom plate (see page 10).
- Remove the brushroll and the worn or broken belt from the brushroll pulley and the motor drive shaft (Fig. 1).
- Loop the new belt around the motor drive shaft and the brushroll (Fig. 2).
- Reinstall the brushroll into the housing. Turn the brushroll by hand, making sure the belt is not twisted and all rotating parts move smoothly.
- Reinstall the bottom plate (see page 10).

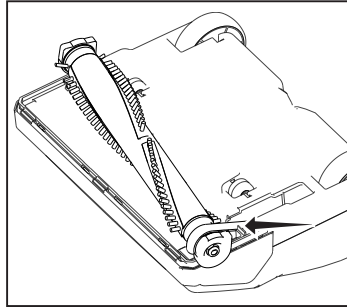


Fig. 1

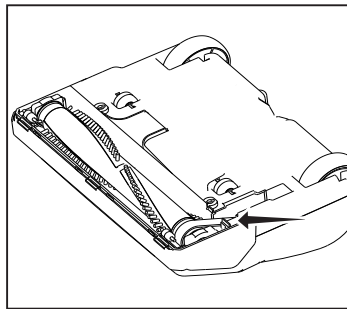


Fig. 2

Lifetime Belt Protection Warranty

(Model ZM-700)

Your vacuum belt is covered by a lifetime warranty. Should the vacuum belt break, simply bring your vacuum to the distributor where your CleanMax vacuum was purchased for a free replacement.

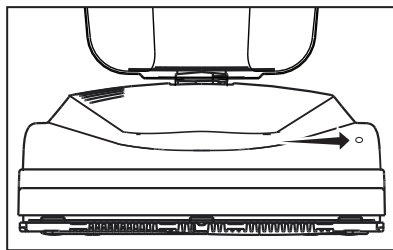
Maintenance and Care

Brushroll Jam Indicator

(Model ZM-700)

If an object, such as a throw rug or article of clothing, is ever picked up into your vacuum, the vacuum will sense this “jammed brushroll” condition and turn off the brushroll. When this happens, the Brushroll Jam Indicator light on the top of the nozzle will flash in red.

- Turn off the vacuum and remove the cause of the jam. Turn the vacuum back on.
- If the brushroll is free of obstructions and the Brushroll Jam Indicator light is still flashing, it’s likely the clogged condition is located in the vacuum motor fan. If so, please take your vacuum to the distributor where your CleanMax vacuum was purchased.

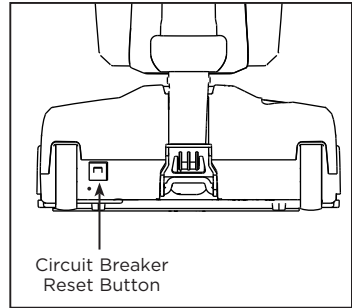


Resetting the Circuit Breaker

WARNING! To reduce the risk of electrical shock or injury from moving parts, unplug before servicing or cleaning.

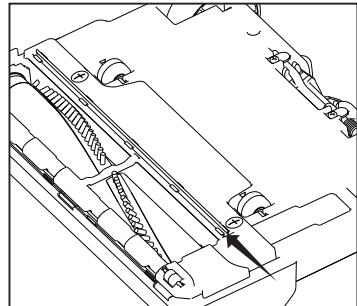
Your vacuum features a circuit breaker to protect the machine against damage due to a surge in the electrical current. Electrical surging can be a result of, though not limited to, a jammed motor fan.

Should your vacuum cleaner experience a jammed brushroll with the circuit breaker tripping, turn the vacuum off, and unplug the unit. Inspect the brushroll by removing the bottom plate (see page 10) and remove any debris that may be causing the jam. Reinstall the bottom plate (see page 10) and reset the circuit breaker by pressing the Circuit Breaker Reset Button. Plug in the power cord, and turn on the vacuum. If the vacuum fails to turn on, visit the distributor where your CleanMax vacuum was purchased for assistance.



Replacing the Squeegee

If your squeegee splits or begins to look worn, simply slide the worn squeegee from its track and slide a new one into the track. If you have trouble installing the new squeegee, please visit an Authorized CleanMax Distributor for help.



Key Replacement Parts

- Genuine Zoom HEPA Media Vacuum Bags **CLH-6**
- Genuine Zoom Paper Vacuum Bags **B211-8800**
- Genuine Vacuum Belts **B014-0814B**

For Best Performance

- Keep your vacuum clean and in good operating condition.
- Change the vacuum bag once a month or when the bag is 2/3 full to maximize cleaning performance.
- Always use genuine vacuum bags and replacement parts. Use of other products may result in poor cleaning performance, potential vacuum cleaner damage and may void the vacuum warranty. Genuine products are designed for maximum cleaning performance.
- Have your vacuum checked periodically by the distributor where your CleanMax vacuum was purchased.
- Store your vacuum carefully in a dry area.
- For optimum cleaning performance and safety, follow your owner's manual instructions.

What is Covered:

This warranty covers any defects in material and workmanship in your new CleanMax vacuum.

How Long Coverage Lasts:

Warranty coverage for your CleanMax vacuum lasts one year.

What is Not Covered:

- Damage to the vacuum which occurs from neglect, abuse, alterations, accident, misuse or improper maintenance.
- Normal replacement items: belts, squeegees, agitator brush strips and disposable bags.

What CleanMax Will Do:

This warranty provides, at no cost to you, all labor and parts to place this vacuum in correct operating condition during the warranted period.

How to Get Service:

Warranty service can only be obtained by presenting the vacuum to the distributor where original purchase was made. A proof-of-purchase and product serial number will be required before service is rendered.

THIS WARRANTY IS EXCLUSIVE AND IN LIEU OF ANY AND ALL OTHER WARRANTIES WHETHER WRITTEN, ORAL, EXPRESSED OR IMPLIED, (INCLUDING ANY WARRANTY OF MERCHANTABILITY OR FITNESS FOR A PARTICULAR PURPOSE). THIS WARRANTY DISCLAIMS LIABILITY FOR INCIDENTAL OR CONSEQUENTIAL DAMAGES.

How State Law Applies:

This warranty gives you specific legal rights, and you may also have other rights which vary from state to state.

OWNER'S WARRANTY INFORMATION

keep this for your records...

Date of purchase _____

Serial number _____

Model number _____

Purchased from:

Store name _____

Address _____

City, State, Zip _____

Telephone _____

Register your new vacuum today at CleanMaxVacuums.com



CleanMax Vacuum Cleaners
PO Box 730
Fenton, MO 63026