

NM200 SERIES SYSTEM INSTALLATION

READ AND SAVE THESE INSTRUCTIONS

CAUTION

TO REDUCE THE RISK OF FIRE, ELECTRIC SHOCK, OR INJURY TO PERSONS, OBSERVE THE FOLLOWING:

1. Read all instructions carefully before installing or using the NM200 System.
2. The NM200 must be installed by a qualified dealer or installer, and must conform to all local building and electrical codes.
3. For continued protection against risk of fire replace the fuse in the power switch module only with the same type 3 Amp, 250 Volt fuse.
4. Adhere to all warnings on the NM200 and in these instructions. Follow all operating and installation instructions.

WARNING

THESE INSTALLATION AND SERVICING INSTRUCTIONS ARE FOR USE BY QUALIFIED PERSONNEL ONLY. TO REDUCE THE RISK OF ELECTRIC SHOCK, DO NOT PERFORM ANY SERVICING OTHER THAN THAT CONTAINED IN THE OPERATING INSTRUCTIONS UNLESS YOU ARE QUALIFIED TO DO SO.

- Do not attempt to service the NM200 yourself as opening or removing covers may expose you to dangerous voltage or other hazards. Refer all servicing to qualified service personnel.

The lightning flash with arrowhead symbol within an equilateral triangle is intended to alert the user to the presence of uninsulated “dangerous voltage” within the product’s enclosure that may be of sufficient magnitude to constitute a risk of shock to persons.

The exclamation point within an equilateral triangle is intended to alert the user to the presence of important operating and maintenance (servicing) instructions in the literature accompanying the product.

- Locate the system away from heat sources such as radiators, heat registers, stoves, or other heat producing products.
- Do not locate the NM200 master or remote stations in an outside wall.
- Do not locate the NM200 to moisture. Doing so can create fire or shock hazards and void the warranty.
- Do not place the NM200 master or remote stations in any wall cavity with any other electrical wiring in the cavity.
- Install the NM200 system after the application of the wall covering material.
- Do not expose the outdoor remote station speakers to significant water contact. The outdoor remote speakers are weatherproof but not water proof. Continuous direct water exposure will cause system problems.

- Do not connect CAT5 wire if you are unsure of its termination point. Connecting a door station to a remote station may result in system damage.
- Do ensure that all rough-in instructions have been followed before power is applied to the NM200 system.
- Do not splice cables. Splices are unreliable and defeat signal isolation properties of the cable.
- Do not attach devices unauthorized for use with this system. Authorized devices include:
Audio components connected via a line level input
NC300 6-disc CD player
- If extra cables have been run for future speaker additions, care must be taken to ensure these cables are not connected to the NM200 master unit. Un-terminated cables (no station) connected to the NM200 master may cause electronic feedback that will damage the master unit.
- Do not over-tighten the screws for the remote stations or the master as the plastic face panels may crack or strip out.
- Use only NuTone certified replacement parts and have them installed by a qualified dealer or installer. Unauthorized substitutions can result in fire, electric shock, or other hazards.
- Upon completion of any service or product repair, have the dealer or installer conduct a safety check to ensure the system is in proper operating condition.
- Use only a damp cloth to clean the NM200 master and remote stations. Do not use liquid cleaners or aerosol cleaners.

INSTALLATION

To ensure that the homeowner receives the high-quality music and voice reproduction that the system is designed to deliver, it is important that each step of the installation be done carefully. In the event you need troubleshooting assistance, please call our technical staff at 1-888-336-6151.

The installation should be made after the application of wall covering material.

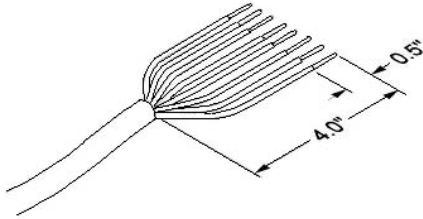
Tools required:

- #2 Phillips screwdriver
- Standard flat head screwdriver
- Wire stripper/cutter
- Level

INSTALLING THE REMOTE STATIONS

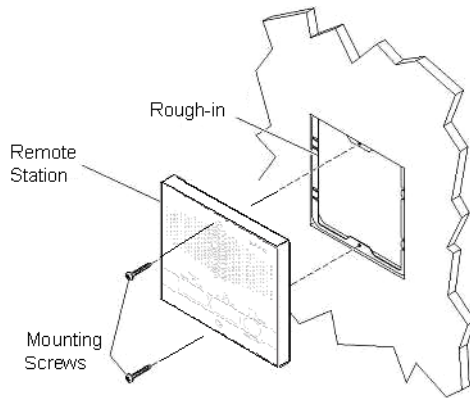
Collect all the connectors included in the remote station packages and place them in the master rough-in for use later. At each remote station location, strip approximately 4 inches of jacket

from the CAT5 wire and separate the colored conductors from one another. Strip ½ inch of insulation from each conductor as shown:



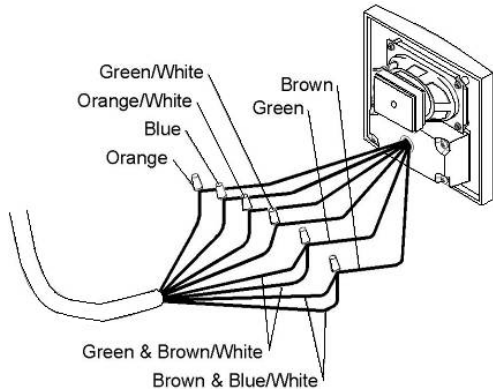
Connect each colored conductor to its respective screw terminal. The screw terminals are marked with the appropriate wire colors. Note: Some screw terminals have more than one wire connected to them.

Mount each remote station to its mounting ring using the two screws provided with each NM200 remote station



NPS200WH Outdoor Remote Station

At each outdoor remote station location, strip approximately 4 inches of jacket from the CAT5 wire and separate the colored conductors. Strip ½ inch of insulation from each conductor and connect each colored conductor together using wiring wire nuts.



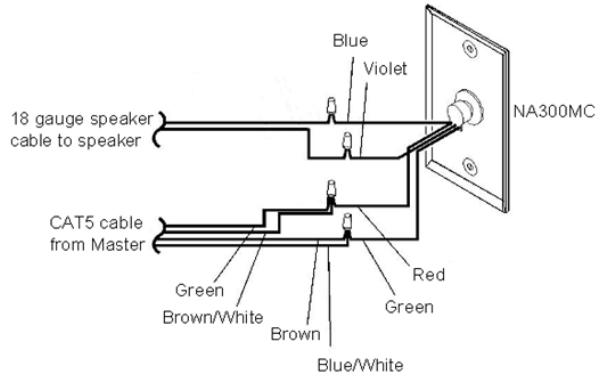
Note: Some wires are doubled up when connected to the remote station. Mount the outdoor remote station to the housing using the 2 screws provided with the remote station.

INSTALLING THE NA300MC VOLUME CONTROL

At each NA300MC location strip approximately 4 inches of jacket from wires and separate colored conductors from each other. Wire nut each colored conductor to its respective wire as shown in the next figure.

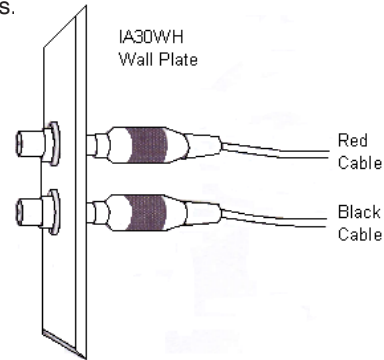
Connect 18 gauge speaker cable wires to the corresponding terminals of the satellite speakers. Mount the NA300MC to the single gang box using the two screws provided with the volume control.

The Green/White, Orange/White, Orange and Blue wires are NOT connected at the NM200 or NA300MC ends of the cable



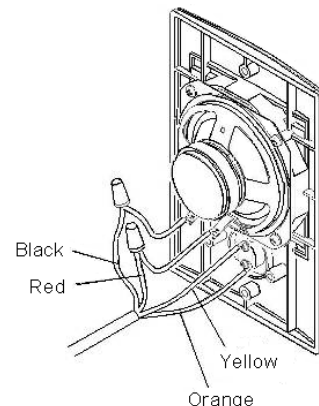
CONNECTING THE IA30WH AUDIO WALL PLATE

Use the labels provided to mark respective cables. Connect the cables to the IA30WH audio wall plate and mount the plate using the two screws provided. Please see figure below and refer to the NuTone IA30WH installation guide for more detailed instructions.



INSTALLING THE DOOR STATIONS

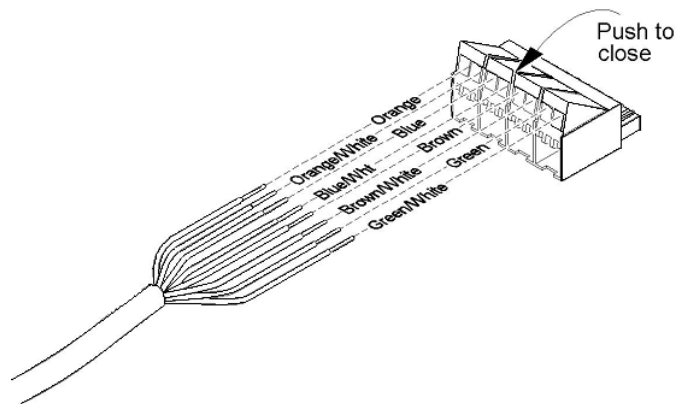
At each door station location, strip approximately 4 inches of jacket from wire and separate colored conductors from one another. Strip ½ inch of insulation from conductors. Cut each shield drain wire at jacket to prevent them from touching each other. Terminate yellow and orange wires to the screw terminals on the chime pushbutton (if equipped). Connect the red and black wires to the red and black wires on the speaker respectively. Refer to figure below. Mount door station to housing using the two screws provided with the door station.



NM200 MASTER STATION INSTALLATION

Gather all remote station and door station cables and cut cable ends to the same length approximately 12 inches from entry point into master rough-in. Make sure that all cables remain properly labeled. Strip approximately 2" of jacket from each of the CAT5 cables. Untwist the individual wire pairs. Insert each wire pair into the correct connector location and close connector. Please see figure below. Insert each cable connector into its proper location on the NM200 master.

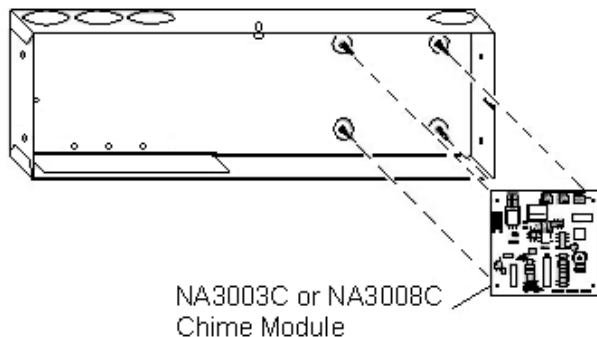
Make sure that the outdoor remote station is connected into the outdoor remote stations cables location only. If you are connecting two outdoor remote stations, use the screw terminal connectors provided with the NPS200 for the outdoor remote station. Connect both outdoor remote stations cables into one screw terminal connector.



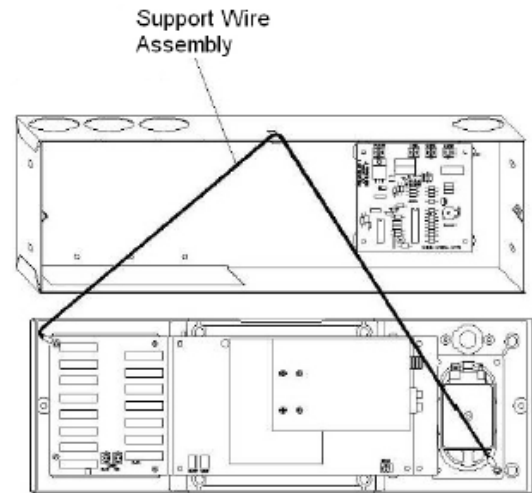
It is important to verify all cable run locations prior to connecting if they were not labeled at the rough-in. Incorrectly connecting cables to the master, remote stations or door stations may result in system damage.

Mounting the Chime Module

Install the optional NA3003C or NA3008C chime module in the master rough-in by pressing the chime module over the 4 plastic standoffs attached to the rough-in as shown. Please refer to the



Suspend the master unit from the master rough-in by looping the support wire assembly (thick green wire) over the hook at the top of the rough-in. Be careful not to damage the wall surface.



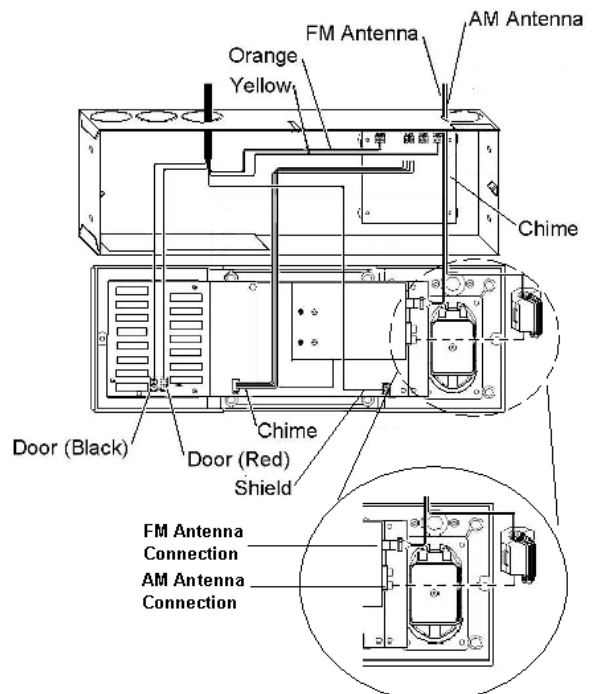
If the NM200 system has more than 9 remote stations, some station selector switches will control two remote stations. Do not exceed more than 15 total speakers on the system. This limitation does not include door stations. The station location can be noted on the inside of the front access panel on the left side of the NM200 master.

Connect the red and black wires of the door station cables to the red and black door speaker terminals on the NM200 master as shown below. Insulate the bare wires using some of the jacket material to prevent shorting to the circuit board. Connect this wire to terminal labeled shield.

Connect all orange wires from the door stations to the common terminal on the NA3003C or NA3008C.

Connect each yellow wire to a note selection terminal on the NA3003C or NA3008C. Do not connect more than one yellow wire per note terminal.

Plug in the modular chime plug to the 4 pin connector labeled as CHIME on the NM200 master unit as shown.



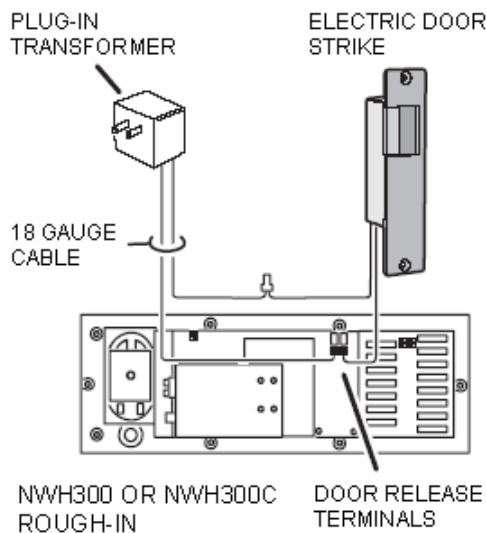
Antenna Connection

Connect the FM dipole coax antenna lead "F" connector to the FM 75 Ohm "F" connector on the NM200 master as shown in the previous figure. Connect the orange AM antenna wire to the AM terminal on the master.

Door Release Connection

To use the door release, connect the 18 gauge low voltage cables from the remote power transformer and the door release striker. The 24 Volt/2 Amp dry contact switch closure may also be used for home automation or security panel panic alarm interface.

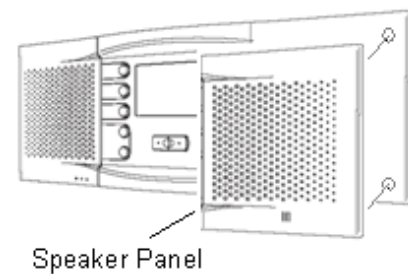
Note: The door release operation may only be used for one type of function per application.



POWERING UP THE NM200

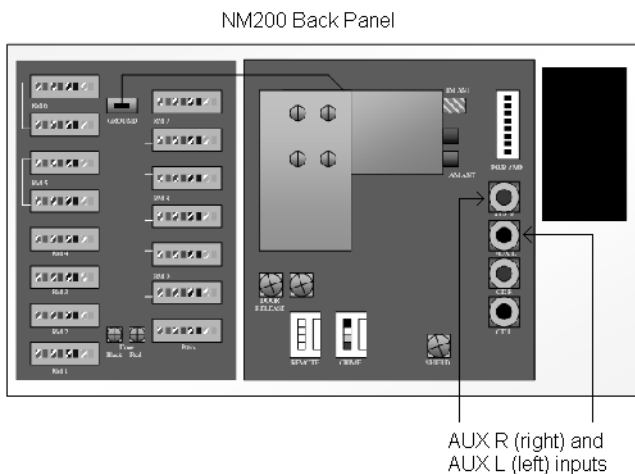
After all connections have been made, insert the power plug into the transformer and secure the master to the rough-in using the 2 screws provided. If using the NF200C frame with a NC300 CD player, install the master unit over the frame. Do not over tighten the screws as the plastic may distort or crack. Install the speaker panel on the master.

Please be careful to only apply pressure on the speaker panel at the corners and not in the middle. Check all functions by following the guidelines in the Owners Manual shipped with the master unit. If any difficulties are encountered, recheck all connections. If after reviewing these instructions and you are unable to resolve any problems, contact technical support at 1-888-336-6151.



External Audio Sources

Plug in the RCA™ phono plugs to the AUX jacks as marked for the source audio equipment.



Two Year Limited Warranty

WARRANTY OWNER: Broan-NuTone warrants to the original consumer purchaser of its products that such products will be free from defects in materials or workmanship for a period of two (2) years from the date of original purchase. **THERE ARE NO OTHER WARRANTIES, EXPRESS OR IMPLIED, INCLUDING, BUT NOT LIMITED TO, IMPLIED WARRANTIES OF MERCHANTABILITY OR FITNESS FOR A PARTICULAR PURPOSE.**

During this two year period, Broan-NuTone will, at its option, repair or replace, without charge, any product or part which is found to be defective under normal use and service. THIS WARRANTY DOES NOT EXTEND TO FLUORESCENT LAMP STARTERS OR TUBES, FILTERS, DUCT, ROOF CAPS, WALL CAPS AND OTHER ACCESSORIES FOR DUCTING. This warranty does not cover (a) normal maintenance and service or (b) any products or parts which have been subject to misuse, negligence, accident, improper maintenance or repair (other than by Broan-NuTone), faulty installation or installation contrary to recommended installation instructions.

The duration of any implied warranty is limited to the two year period as specified for the express warranty. Some states do not allow limitation on how long an implied warranty lasts, so the above limitation may not apply to you.

BROAN-NUTONE'S OBLIGATION TO REPAIR OR REPLACE, AT BROAN-NUTONE'S OPTION, SHALL BE THE PURCHASER'S SOLE AND EXCLUSIVE REMEDY UNDER THIS WARRANTY. BROAN-NUTONE SHALL NOT BE LIABLE FOR INCIDENTAL, CONSEQUENTIAL OR SPECIAL DAMAGES ARISING OUT OF OR IN CONNECTION WITH PRODUCT USE OR PERFORMANCE. Some states do not allow the exclusion or limitation of incidental or consequential damages, so the above limitation or exclusion may not apply to you. This warranty gives you specific legal rights, and you may also have other rights, which vary from state to state. This warranty supersedes all prior warranties.

WARRANTY SERVICE: To qualify for warranty service, you must (a) notify Broan-NuTone at the address or telephone number below, (b) give the model number and part identification and (c) describe the nature of any defect in the product or part. At the time of requesting warranty service, you must present evidence of the original purchase date.

Date of Installation

Builder or Installer

Model No. and Product Description

IF YOU NEED ASSISTANCE OR SERVICE - CONTACT:

Broan-NuTone LLC Hartford, Wisconsin www.nutone.com 888-336-3948
Broan-NuTone Canada Mississauga, Ontario www.nutone.ca 877-896-1119

Rev. 08/2007

Garantie limitée de deux ans

GARANTIE DU PROPRIÉTAIRE: Broan-NuTone garantie à l'acheteur original de ses produits que ces derniers seront exempts de tout défaut de matériaux et de fabrication pour une période de deux (2) ans à compter de la date d'achat. **AUCUNE AUTRE GARANTIE, IMPLICITE OU EXPRESSE, N'EST DONNÉE, Y COMPRIS, MAIS SANS S'Y LIMITER, GARANTIE DE MARCHANDIBILITÉ OU D'ADAPTATION À UN USAGE PARTICULIER.**

Pendant cette période de deux ans, Broan-NuTone procédera au remplacement ou à la réparation sans aucuns frais, mais à sa propre discrétion, de tout produit ou pièce jugé défectueux dans le cadre d'une utilisation normale. CETTE GARANTIE NE VISE PAS LES DISPOSITIFS D'AMORCAGE NI LES TUBES DES LUMINAIRES FLUORESCENTS. Cette garantie ne couvre pas (a) l'entretien et le service courants ni (b) les produits et les pièces ayant fait l'objet d'un usage abusif, de négligence, d'un accident, d'un entretien ou d'une réparation non appropriée (par du personnel non autorisé par Broan-NuTone) d'une mauvaise installation ou d'une installation non conforme aux directives d'installation fournies.

La durée de toute garantie implicite est limitée à la période de deux ans précisée pour la garantie expresse. Certains états ne reconnaissent pas les restrictions relatives à la durée des garanties implicites; il se pourrait donc que cette restriction ne s'applique pas dans votre cas.

LE REMPLACEMENT OU LA RÉPARATION PAR BROAN-NUTONE, À SA PROPRE DISCRÉTION, DE TOUT PRODUIT OU PIÈCE DÉFECTUEUX CONSTITUE LE SEUL REMÈDE DE L'ACHETEUR EN VERTU DE CETTE GARANTIE. BROAN-NUTONE NE PEUT ÊTRE TENUE RESPONSABLE DES DOMMAGES INDIRECTS, CONSÉCUTIFS OU SPÉCIAUX ATTRIBUABLES À UTILISATION OU AU RENDEMENT DU PRODUIT. Certains états ne reconnaissent pas les restrictions ni les exclusions relatives aux dommages indirects, consécutifs ou spéciaux; il se pourrait donc que cette restriction ne s'applique pas dans votre cas. La présente garantie vous accorde des droits spécifiques, mais vous pourriez aussi avoir d'autres droits en fonction de l'état dans lequel vous résidez. Cette garantie remplace toute autre garantie donnée précédemment.

SERVICE SOUS GARANTIE: Pour être admissible au service sous garantie, vous devez (a) aviser Broan-NuTone, à l'adresse ou au numéro de téléphone ci-dessous, (b) fournir le numéro du modèle et la description de la pièce et (c) décrire la nature défaut de la pièce ou du produit. Au moment de la demande de service sous garantie, vous devez fournir une preuve de la date d'achat originale.

Date d'installation

Entrepreneur ou installateur

N° de modèle et description du produit

POUR OBTENIR DE L'ASSISTANCE OU DU SERVICE - CONTACTEZ:

Broan-NuTone LLC Hartford, Wisconsin www.nutone.com 888-336-3948
Broan-NuTone Canada Mississauga, Ontario www.nutone.ca 877-896-1119

Rev. 08/2007

Garantía limitada de dos años

GARANTÍA DEL PROPIETARIO: Broan-NuTone garantiza al comprador consumidor original de sus productos, por el período de dos (2) años desde la fecha original de compra, que tales productos están libres de defectos en material y mano de obra. **NO HAY OTRAS GARANTÍAS, EXPRESADAS O SOBREENTENDIDAS, INCLUYENDO, PERO NO LIMITADAS A, GARANTÍAS NO EXPRESADAS DE MERCHANTABILITY O ADAPTABLES A UN PROPÓSITO EN PARTICULAR.**

Durante este período de dos años, Broan-NuTone reparará o reemplazará a su opción y sin costo, cualquier producto o parte que se encuentre defectuoso bajo condiciones normales de uso y servicio. ESTA GARANTÍA NO CUBRE A LOS ARRANCADORES PARA LÁMPARAS FLUORESCENTES O A LOS TUBOS FLUORESCENTES, FILTROS, DUCTOS, TAPAS DE TECHO, TAPAS DE PARED Y OTROS ACCESORIOS PARA CANALIZACIÓN. Esta garantía no cubre (a) Mantenimiento y servicios normales (b) Productos o partes sujetos al mal uso, negligencia, accidente, mantenimiento inadecuado o reparaciones (por otros ajenos a Broan-NuTone), instalación defectuosa o a una instalación contraria a las instrucciones de instalación recomendadas.

La duración de cualquier garantía no expresada está limitada a un período de dos años según se especifica en la garantía expresada. Algunos estados no permiten limitación en cuanto a la duración de una garantía no expresada, por lo que la limitación arriba indicada puede que no se aplique a Ud.

LA OBLIGACIÓN DE BROAN-NUTONE DE REPARAR O REEMPLAZAR A SU OPCIÓN, SERÁ EL ÚNICO Y EXCLUSIVO RECURSO QUE TENDRÁ EL COMPRADOR BAJO ESTA GARANTÍA. BROAN-NUTONE NO SERÁ RESPONSABLE POR DAÑOS INCIDENTALES, CONSECUTIVOS O ESPECIALES QUE RESULTEN A CONSECUENCIA O SEAN INDEPENDIENTE DEL USO O DESEMPEÑO DEL PRODUCTO. Algunos estados no permiten la exclusión o limitación de daños incidentales o consecuentes, de modo que la limitación o exclusión arriba indicada pueda que no se aplique a Ud. Esta garantía le proporciona derechos legales específicos, y Ud. puede tener otros derechos, los cuales varían de estado a estado. Esta garantía reemplaza a todas las garantías anteriores..

SERVICIO DE GARANTÍA: Para tener derecho al servicio de garantía, Ud. debe (a) Notificar a Broan-NuTone a la dirección o el número de teléfono abajo, (b) indicar el número de modelo y la identificación de la party y (c) describir la naturaleza de cualquier defecto en el producto o parte. Al momento de solicitar el servicio por la garantía, Ud. debe presentar la evidencia de la fecha original de compra.

Fecha de la instalación

Constructor o instalador

Número de modelo y descripción del producto

SI NECESITA ASISTENCIA O SERVICIO - CONTACTO:

Broan-NuTone LLC Hartford, Wisconsin www.nutone.com 888-336-3948
Broan-NuTone Canada Mississauga, Ontario www.nutone.ca 877-896-1119

Rev. 08/2007