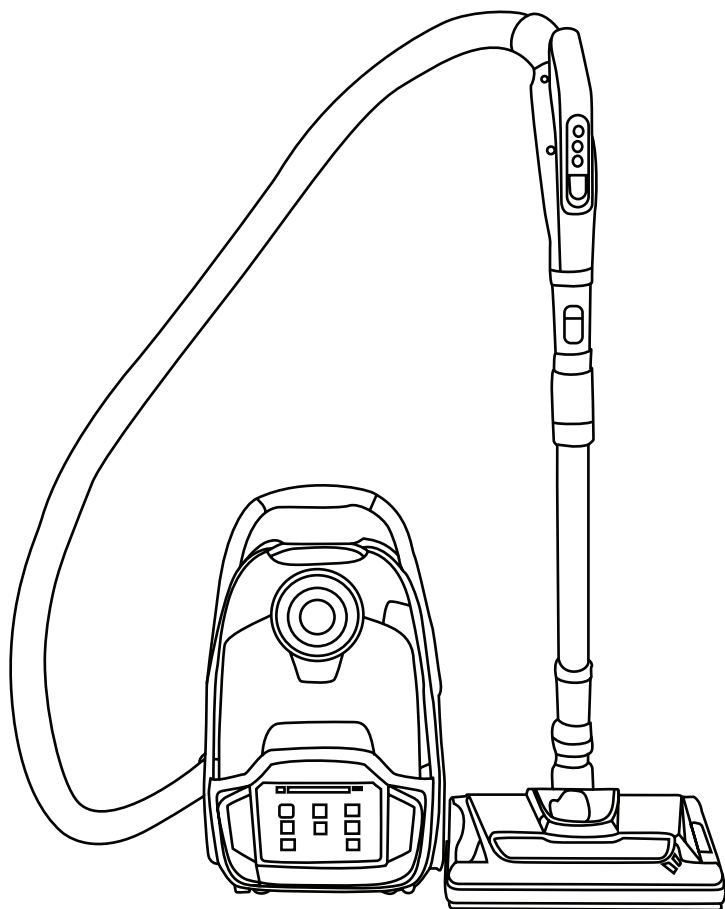


Simplicity[®]

VACUUMS

Scout Plus

Owner's Manual



SCOUTPLUS

Getting Started

Important Safety Instructions	2
Polarization Instructions	3
Vacuum Cleaner with Powerhead	3
Parts Identification	4

Assembly

Flexible Hose	5
Handle	5

Accessories

Powerhead	6
Microfiber Bare Floor Tool	6
Combination Floor Tool	6
3-in-1 Cleaning Tool	6
Upholstery Tool	7
Crevice Tool	7
Dusting Brush	7

Controls

Controls	8
----------------	---

Instructions

Using the Cord Rewind Button and Standby On/Off Button	9
Wireless Control Handle	10
Synchronizing the Wireless Control Handle	11

Maintenance

Vacuum Cleaner Storage	12
Replacing the Dust Bag	12
Pre-Motor Filter Replacement	13
Exhaust HEPA Filter Replacement	14
Cleaning the Motorized Powerhead	14
Replacing the Powerhead Agitator Brush & Drive Belt	15
Changing the Remote Control Battery	16

Troubleshooting

Troubleshooting	17
For Best Performance	17

Warranty Information

Register Online	18
-----------------------	----

IMPORTANT SAFETY INSTRUCTIONS

READ AND UNDERSTAND ALL INSTRUCTIONS BEFORE USING THIS UNIT.

This vacuum must be operated in accordance with these instructions and used only for domestic household cleaning to remove DRY dirt and dust from household carpets, flooring, walls, and fabrics. This cleaner is not fit to be used as an industrial cleaner and will void the manufacturer's warranty if used inappropriately.

Please read these instructions thoroughly. This will ensure you obtain full benefit from your new vacuum. Keep this Owner's Manual in a convenient and safe place for future reference.

IMPORTANT:

The manufacturer cannot accept responsibility for damage caused when the appliance is not used according to the instructions, or for uses other than those for which it was intended.

WARNING: To reduce the risk of fire, electric shock, damage or injury:

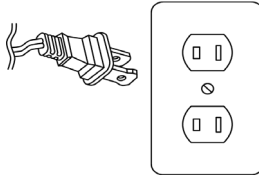
- Empty the bag when the full bag indicator turns red. Over-filling the bag may cause dirt and debris to clog the vacuum and cause loss of suction.
- Always unplug the vacuum from the electrical outlet before replacing the bag or filters.
- Do not leave appliance when plugged in. Unplug from outlet when not in use and before servicing.
- **WARNING: ELECTRIC SHOCK COULD OCCUR IF USED OUTDOORS OR ON WET SURFACES.**
- Do not allow to be used as a toy. Close attention is necessary when used by or near children.
- Use only as described in this manual. Use only manufacturer's recommended attachments.
- Do not use with damaged cord or plug. Or if appliance is not working as it should, has been dropped, damaged, left outdoors, or dropped into water, return it to your Authorized Simplicity Retailer for service.
- Do not unplug by pulling on cord. To unplug, grasp the plug, not the cord.
- Do not handle plug or appliance with wet hands.
- Do not pull or carry by cord, use cord as a handle, close a door on the cord, or pull cord around sharp edges or corners. Do not run appliance over cord.
- Keep cord away from heated surfaces.
- Do not put any object into openings. Do not use with any opening blocked; keep free of dust, lint, hair and anything that may reduce air flow.
- Keep hair, loose clothing, fingers and all parts of body away from openings and moving parts.
- Do not pick up anything that is burning or smoking, such as cigarettes, matches or hot ashes.
- Do not use without bag or filters in place.
- Turn off all controls before unplugging.
- Do not use to pick up flammable or combustible liquids such as gasoline or use in areas where they may be present.
- Do not attempt to service the unit while appliance is plugged in.
- Do not use vacuum to pick up water or any wet materials.
- Use extra care when cleaning on stairs
- The Scout Plus hose contains electrical wires. Do not use when damaged, cut, or punctured. Replace if cut or worn. Do not pick up sharp objects.
- Always turn off and unplug vacuum cleaner before connecting or disconnecting either hose, wand or motorized nozzle.
- Hold plug when rewinding cord reel. Do not allow plug to whip when rewinding.

SAVE THESE INSTRUCTIONS

POLARIZATION INSTRUCTIONS

Power Cord, 2-Wire Polarized Cord

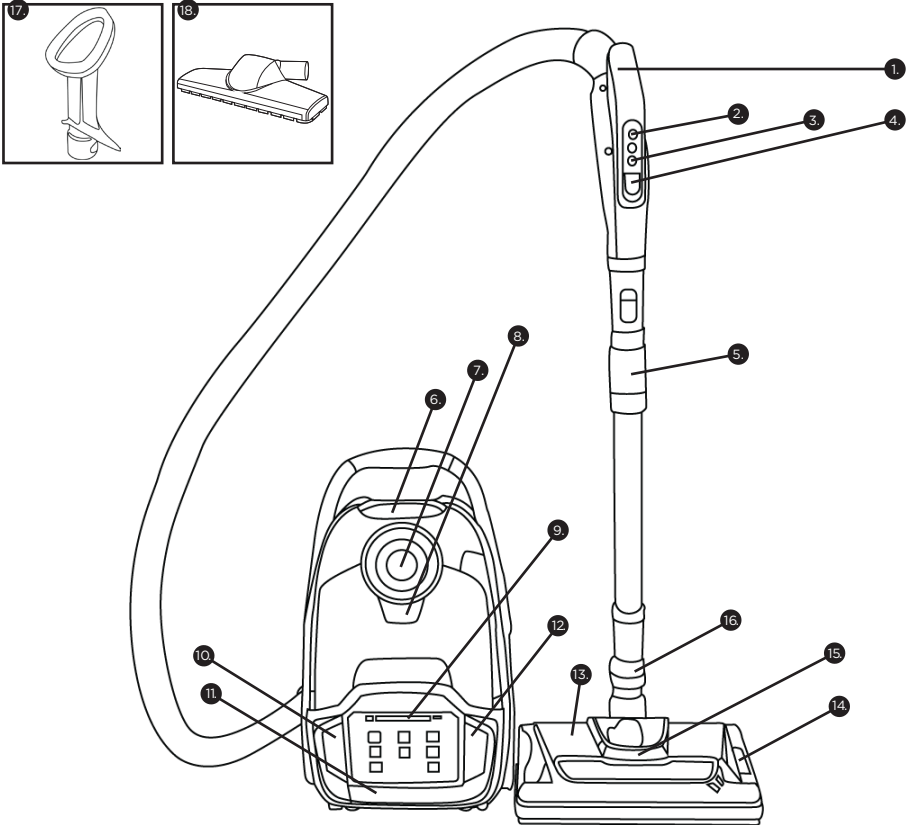
To reduce the risk of electric shock, the vacuum is equipped with a polarized alternating current line plug (a plug having one blade wider than the other). This plug will fit into the power outlet only one way. This is a safety feature. If you are unable to insert the plug fully into the outlet, try reversing the plug. If the plug should still fail to fit, contact a qualified electrician to replace the obsolete outlet. Do not defeat the safety purpose of the polarized plug.



VACUUM CLEANER WITH POWERHEAD

1. The electric hose contains electrical connections; - Do not immerse in water. - The hose should be checked regularly and must not be used if damaged. - The vacuum cleaner handle contains electrical connections. The handle is not a serviceable part. - The vacuum cleaner wand contains electrical connections. The wand is not a serviceable part. - The vacuum cleaner powerhead contains electrical connections. The powerhead is not a serviceable part.
2. Use the powerhead only for vacuuming dust and dry substances in the home.
3. To avoid damage to the power cord never run over the power cord with the powerhead.
4. Never touch the brush roller while the vacuum cleaner is connected to the power supply.
5. To prevent unnecessary wear on the powerhead, keep the powerhead moving while in operation.
6. Keep hair, hands and feet away from the rotating brush while the powerhead is running.
7. Warning: This product requires/contains button batteries to operate. Button Batteries are hazardous to young children if swallowed. Keep out of reach of children at all times.

PARTS IDENTIFICATION

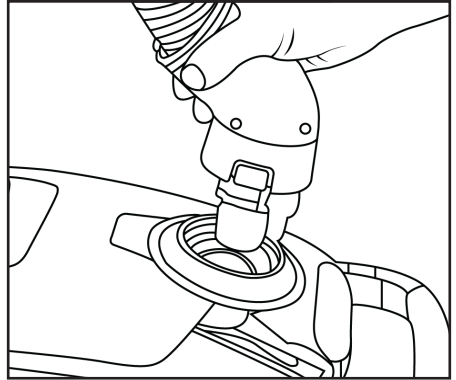


- | | | |
|--------------------------------------|---|---------------------------------|
| (1) Control Handle | (8) Accessory Cover Release Button | (15) Powerhead LED Lights |
| (2) Handle On/Off Button | (9) Full Dust Bag Indicator | (16) Wand Quick Release |
| (3) Handle Suction Control Buttons | (10) Standby On/Off Button | (17) 3-in-1 Cleaning Tool |
| (4) Handle On/Off Button (Powerhead) | (11) Exhaust Filter Release Button Nozzle | (18) Microfiber Bare Floor Tool |
| (5) Telescopic Wand | (12) Cord Rewind Button | |
| (6) Dust Bag Cover Latch | (13) Powerhead | |
| (7) Air Inlet | (14) Powerhead Belt Window | |

IMPORTANT! Always remove the power cord from the power supply before fitting or removing accessories!

Flexible Hose

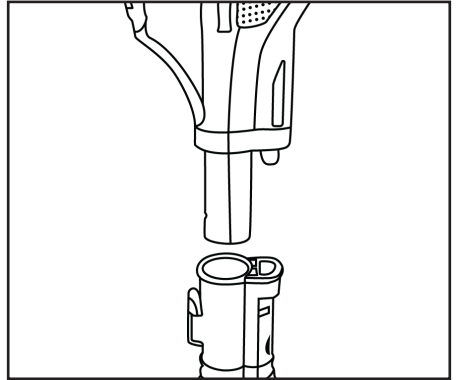
- Fitting: Insert the flexible hose into the air inlet of the vacuum. Press until it clicks into position. (Fig 1)
- Removing: Press the two buttons and gently pull to release the flexible hose. (Fig 1)



(Fig 1)

Handle

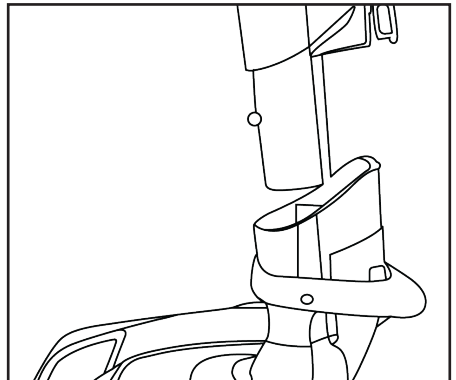
- Gently insert the handle into the telescopic wand and push until it clicks into place. (Fig 2)



(Fig 2)

- Place the powerhead onto the floor and gently insert the telescopic wand into the powerhead. Push until it clicks into place. (Fig 3)

Note: The powerhead has a quick release button to remove the wand for easy and convenient access. Simply press the wand Quick Release to remove the wand from the powerhead.



(Fig 3)

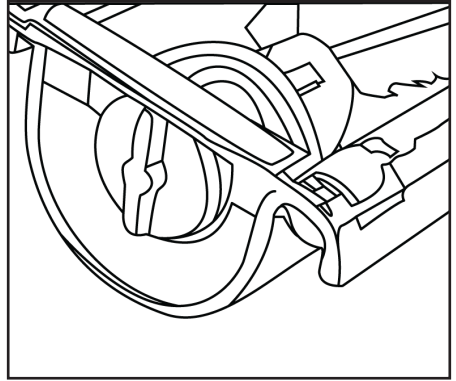
ACCESSORIES

IMPORTANT! Seek advice from carpet manufacturers before using the motorized powerhead on woolen or delicate carpets.

Powerhead

Whirlwind Power Pulse technology deeply cleans carpets by effectively lifting and removing deeply embedded dust and dirt.

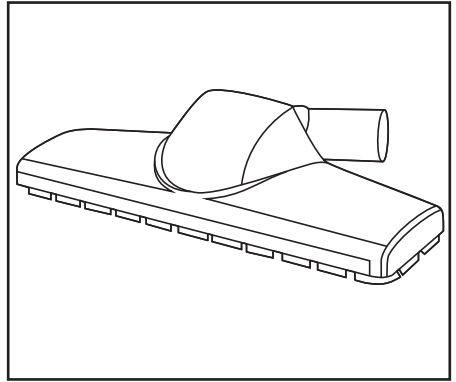
Tip: The Powerhead Belt Window can be used to check the health of the powerhead belt or whether the agitator brush is rotating. (Fig 4)



(Fig 4)

Microfiber Bare Floor Tool

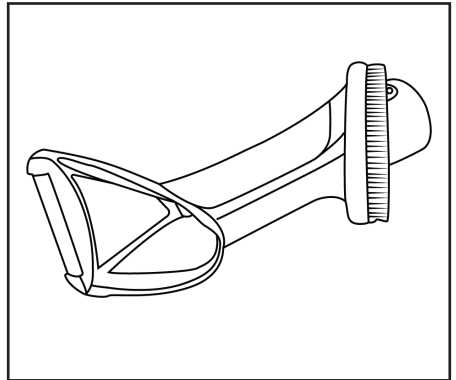
Cleans and polishes tile, hard wood and linoleum floors. (Fig 5)



(Fig 5)

3-in-1 Cleaning Tool

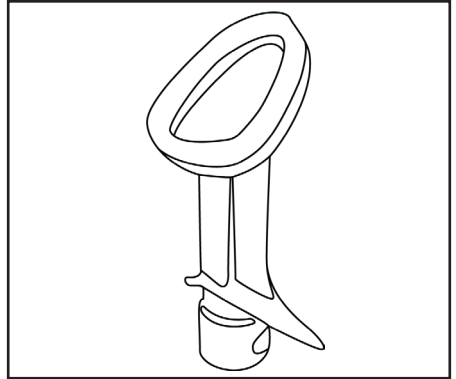
Combines a crevice tool, upholstery tool & dusting brush all in the one tool for convenient cleaning. To use the 3-in-1 Cleaning Tool as an upholstery tool or as a dusting brush simply remove the crevice tool and insert the crevice tool into the opposite end of the tool you would like to use. (Fig 6)



(Fig 6)

Upholstery Tool

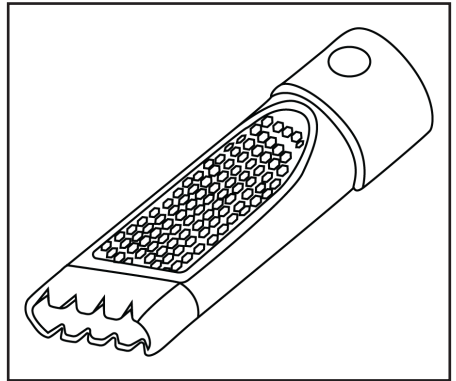
For Vacuuming furniture and upholstery.
(Fig 7)



(Fig 7)

Crevice Tool

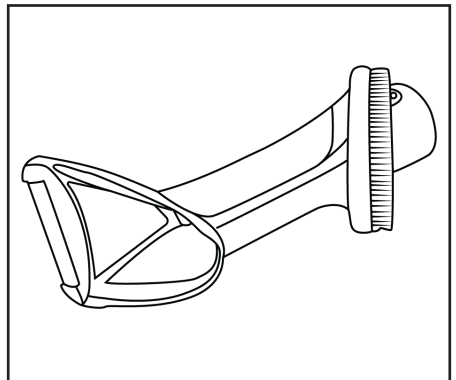
Eliminate dust from hard to reach places.
(Fig 8)



(Fig 8)

Dusting Brush

Ideal for cleaning blinds, bookshelves
and lampshades. (Fig 9)



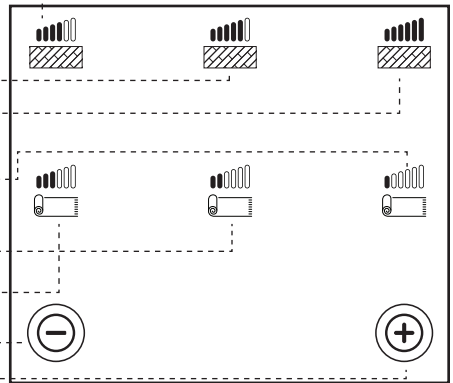
(Fig 9)

CONTROLS

The suction power can be regulated by using the Digital Power Control to achieve optimal cleaning results. To change the suction power to suit a particular cleaning task, press the Power Increase Button to increase the suction power, and to reduce the suction power, press the Power Decrease Button.

The Dust Bag Indicator will continually flash red to indicate that the dust bag requires replacement or to indicate that there is a blockage. (Fig 10)

- Low Power Suction (Hard Floor and upholstery)
- Medium Power Suction (Hard Floor and upholstery)
- High Power Suction (Hard Floor and upholstery)
- Low Power Suction (Lampshades/Drapes)
- Medium Power Suction (Lampshades/Drapes)
- High Power Suction (Lampshades/Drapes)
- Power Decrease Button
- Power Increase Button



(Fig 10)

Note: In the two lowest settings, the dust bag indicator will not flash.

Tip: If the powerhead is too difficult to push on the carpet, reduce the suction by pressing the power decrease button or the control panel on the handle

Using the Cord Rewind Button and Standby On/Off Button

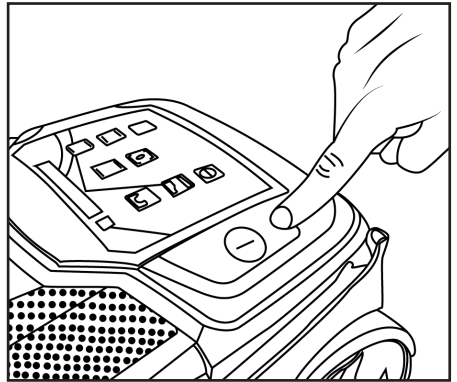
Standby On/Off Button (Fig 11)

1. Unwind a sufficient length of power cord. The yellow mark on the power cord shows the recommended cord length. DO NOT extend the cord beyond the red mark.
2. Insert the cord into the outlet.
3. Press the Standby On/Off button to put the vacuum into Standby Mode.
4. To switch On the cleaner either:
 - Press the On/Off Button on the Control Handle.
 - Alternatively, press the Power Decrease or Power Increase buttons on the Digital Power Control panel.

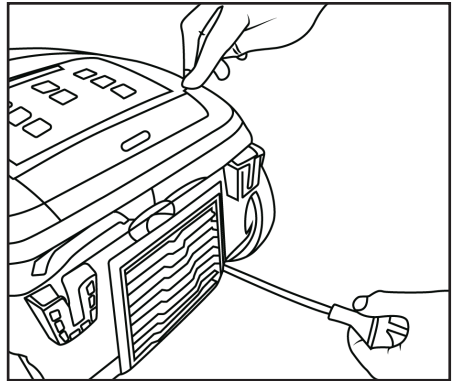
Rewind (Fig 12)

1. Press the On/Off button to switch off the vacuum.
2. Unplug the cord from the power outlet.
3. To rewind the power cord, press the rewind button with one hand and guide the cord with the other hand to ensure that the power cord does not whip.

Note: Do not unplug by pulling on the power cord. To unplug, grasp the power plug not the power cord and gently pull the power plug from the power outlet



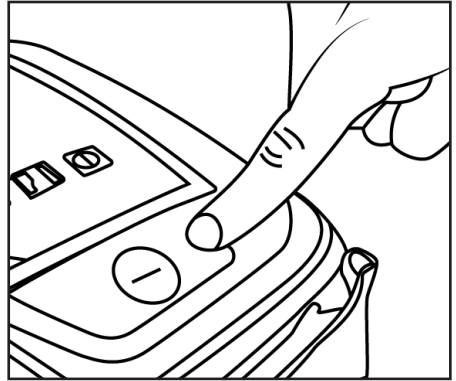
(Fig 11)



(Fig 12)

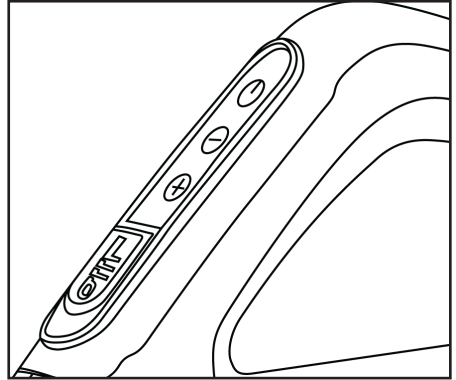
WIRELESS CONTROL HANDLE

- To switch on or off the vacuum cleaner press the button. (Fig 13)



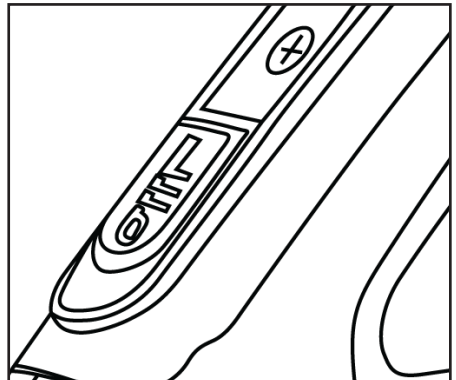
(Fig 13)

- To manually increase or decrease the suction power level, press the + or - buttons. (Fig 14)



(Fig 14)

- To switch on the powerhead, slide the On/ Off Button (Powerhead) button backward. To switch off the powerhead, slide the On/Off Button (Powerhead) button forward. (Fig 15)

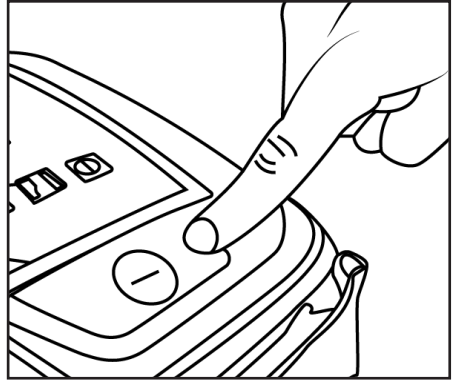


(Fig 15)

SYNCHRONIZING THE WIRELESS CONTROL HANDLE

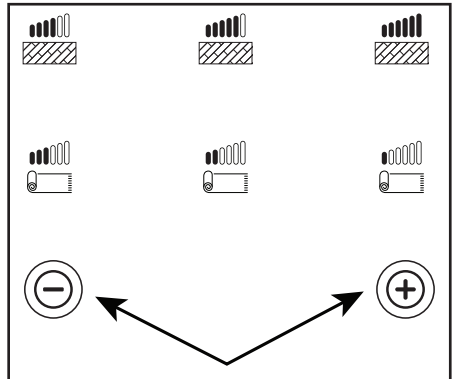
IMPORTANT! If the cleaner is unresponsive after placing the cleaner into standby mode and switching on the cleaner via the Control Handle, please follow the below steps to synchronize the handle to the vacuum.

- Press the Standby On/Off Button. The cleaner will be in standby mode. (Fig 16)



(Fig 16)

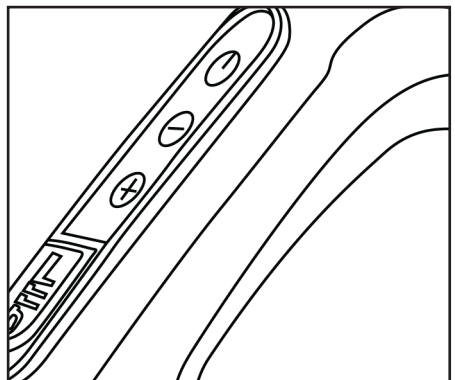
- Simultaneously press and hold for 20 seconds the Power Decrease and Power Increase buttons on the Digital Power Control panel. If preformed correctly, the icons on the Digital Power Control panel will blink and the Dust Bag Indicator light will be switched off. (Fig 17)



(Fig 17)

- Press the “+” button on the Wireless Control Handle to synchronize the Wireless Control Handle to the vacuum. If preformed correctly the Dust Bag Indicator light will blink and the icons lights on the Digital Power Control panel will turn off. (Fig 18)

Note: Please ensure that the dust bag is fully inserted into the dust bag bracket before closing the cover to avoid dust leaking from the dust bag.



(Fig 18)

MAINTENANCE

Vacuum Cleaner Storage

When not in use, ensure that the cleaner is disconnected from the power supply and that the cable is fully retracted. The combination floor tool can be stored in the floor tool holders. Other floor tools must be stored separately.

Replacing the Dust Bag

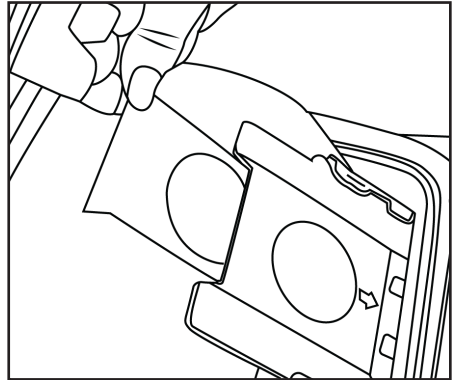
IMPORTANT! Ensure that the cleaner is disconnected from the power supply when installing or removing the dust bag.

Note: Only use the dust bag supplied or recommend by the manufacturer to avoid causing damage to the machine and voiding the warranty.

(Fig 19)

Always operate the cleaner with the dust bag installed. If you forget to install the dust bag or the dust bag is installed incorrectly, the dust bag cover may not close completely.

- Remove the hose from the air inlet.
- Open the cover by pulling on the Dust Bag Cover Latch.
- To stop dust and debris from escaping when removing the dust bag from the machine, firmly hold the dust bag in the dust bag holder and gently pull the dust bag seal.
- Refit a new dust bag by inserting the dust bag collar into the dust bag bracket. Ensure that the arrow on the dust bag collar is facing downwards



(Fig 19)

when being inserted into the dust bag bracket.

Note: The dust bag has been designed with a seal to prevent dust and debris from escaping when the dust bag is removed from the cleaner.

- Gently close the cover, you will hear a 'click' when closed properly.

Note: Please ensure that the dust bag is fully inserted into the dust bag bracket before closing the cover to avoid dust leaking from the dust bag.

Pre-Motor Filter Replacement

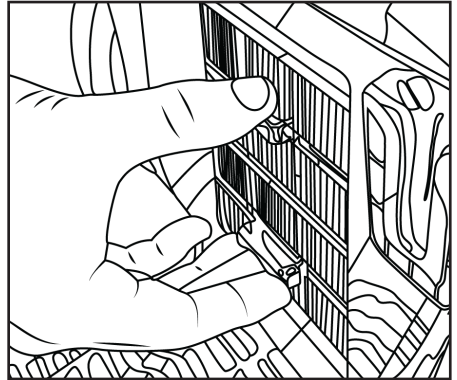
IMPORTANT! Ensure the cleaner is disconnected from the power supply before performing any maintenance procedures.

The pre-motor filter should be replaced every six months or when it becomes visibly dirty. Always operate the cleaner with clean filters; otherwise, there may be a reduction in the suction power or motor damage may result.

Note: Do not use a washing machine to wash the filter or a hair drier to dry the filter.

- Pull out the filter bracket assembly.
- Replace with a new filter.

(Fig 20)



(Fig 20)

MAINTENANCE

Exhaust HEPA Type Filter Replacement

IMPORTANT! Ensure that the cleaner is disconnected from the power supply before performing any maintenance procedures.

The Exhaust HEPA Type filter is installed behind the air outlet grill. This filter is washable. When dust or dirt is visible on the surface of the filter, the filter should be replaced or washed with warm water to maintain optimal performance. It is recommended to replace the filter every 6 months or when it becomes visibly dirty. This may vary depending on frequency of use. Please ensure all filters have been correctly installed into the machine before use.

- Press the Exhaust Filter Release Button to access the Exhaust HEPA type filter. (Fig 21)
- Remove the filter by pulling on the filter tabs as shown. (Fig 22)

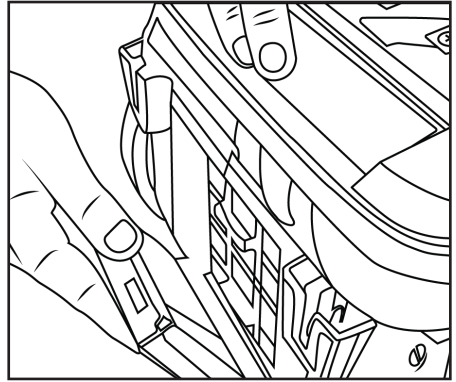
Cleaning the Motorized Powerhead

IMPORTANT! Ensure that the cleaner is disconnected from the power supply and the powerhead is disconnected from the wand before performing any maintenance procedures.

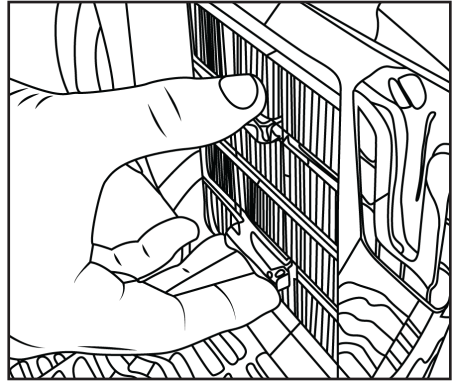
The agitator brush must be free of debris for effective cleaning and for maximum suction. (Fig 23)

- Disconnect the motorized powerhead from the vacuum wand and turn it over to inspect the agitator brush.
- If a build-up of debris is wound around the agitator brush, remove by carefully cutting hair or debris with scissors. Avoid damaging or cutting the bristles.

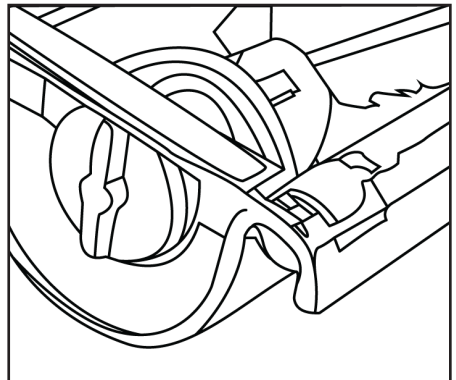
The powerhead has an overload



(Fig 21)



(Fig 22)



(Fig 23)

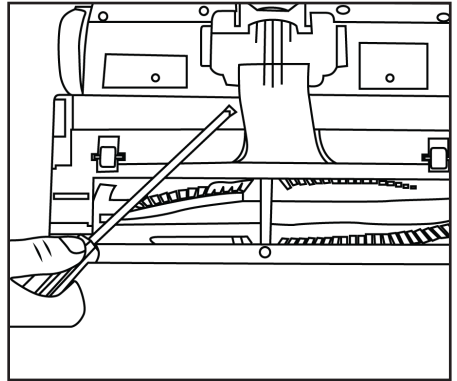
protection feature to protect the motor in the powerhead. The powerhead will turn off if the powerhead is clogged. To reset the powerhead once it has automatically turned off, clean the rotating brush, and then press the Overload Protection button to reset the powerhead. (Fig 24)

Replacing the Powerhead Agitator Brush & Drive Belt

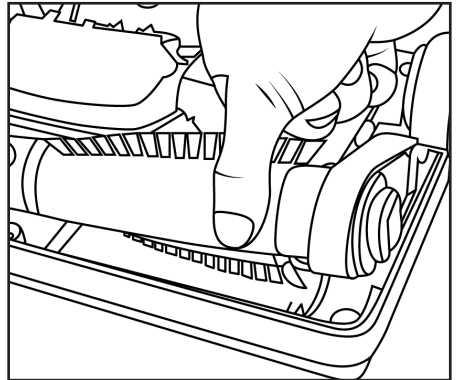
IMPORTANT! Ensure that the cleaner is disconnected from the power supply and the powerhead is disconnected from the wand before performing any maintenance procedures.

Depending on frequency of use, the powerhead agitator brush & drive belt will occasionally require changing. (Fig 25 and 26)

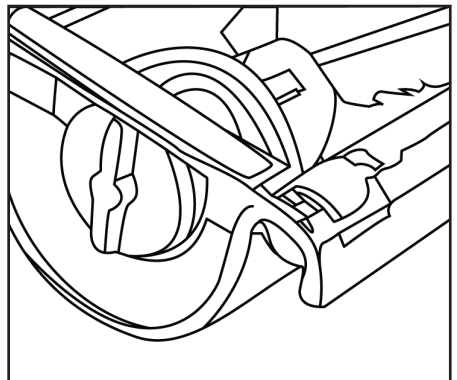
- Disconnect the motorized powerhead from the vacuum wand and turn it over. With a Phillips head screwdriver unscrew the eight screws.
- Remove the powerhead cover to access the agitator brush and belt.
- Lift the side of the agitator brush with the belt attached and slide the belt off the end cap. The agitator brush can now be removed for cleaning or replacement.
- Slide the belt off the drive shaft to remove the belt. If the belt is broken, remove all the broken pieces. To replace the belt, install the new belt over the drive shaft first and then the end cap. Make sure the lettering on the belt is outward facing.
- Reinstall the agitator brush securely back into place. Then install the powerhead cover and screws.



(Fig 24)



(Fig 25)



(Fig 26)

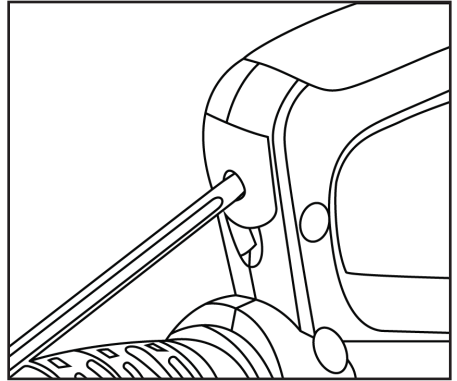
MAINTENANCE

Changing the Remote Control Battery

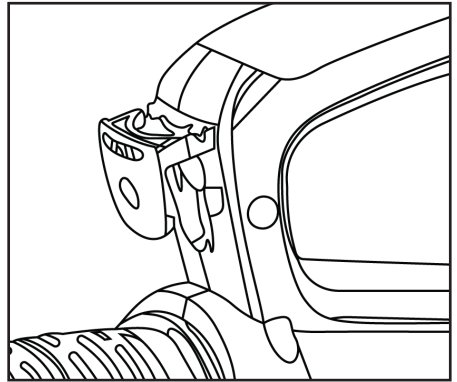
IMPORTANT! Ensure that the cleaner is disconnected from the power supply before performing any maintenance procedures. (Fig 27 and 28)

- Unscrew the battery holder with a screwdriver. The battery holder can now be pulled out from the handle.
- Replace the battery and reinsert the battery into the handle. Ensure the battery holder is screwed securely with a screwdriver.

IMPORTANT! - Keep battery out of reach of children and ensure the battery holder is secure. If you suspect your child has swallowed or inserted a button battery immediately call the Poison Control Center at 1-800-222-1222.



(Fig 27)



(Fig 28)

TROUBLESHOOTING

Problem	Check Point	Possible Solution
The vacuum does not power on.	Power cord	Insert the power plug firmly into an electrical outlet
Suction power is weak.	Bag Blocked hose or wand	Replace if the bag is full. Remove obstruction.
Vacuum makes an abnormal sound when on.	Powerhead Brush roller Blocked hose	Turn off immediately. Check to ensure there are no blockages. Clear any blockages that may be found. Check that powerhead is installed securely.
Powerhead not working	On/Off Button Agitator Brush Belt	Check that the on/off button is in the "ON" position. Replace battery Check installation of the powerhead is correct. Remove rotating brush and clean any big objects trapped around roller bar. Check there is no object pressing top of powerhead. Check through powerhead belt window that powerhead belt is not broken. Clean rotating brush and then press Overload Protection button to reset powerhead.
<p>Any other service should be performed by an Authorized Simplicity Vacuum Retailer. To locate your nearest Authorized Retailer, visit our website at www.SimplicityVac.com or call 888-974-6759.</p>		

FOR BEST PERFORMANCE

- Use machine with a bag, pre-motor filter, and pleated filter.
- Keep machine and all accessories clean and in good operating condition.
- Replace bag when it's 2/3 full. The replacement bag number is SSH-6.
- Check and replace filters every 6 months or more frequently if vacuuming fine powders such as flour or drywall dust.
- Always use genuine filters and parts, as use of other products may result in poor cleaning or filtration performance. Genuine Simplicity filtration products are designed for maximum performance.
- Store machine in a clean, dry area indoors.
- For optimum cleaning performance and safety, follow this owner's manual.

WARRANTY INFORMATION

What is Covered:

This warranty covers any defects in material and workmanship in your new Simplicity vacuum.

How Long Coverage Lasts:

Warranty coverage for this Simplicity vacuum lasts one year. Household models used commercially are only warranted for 90 days.

Simplicity[®]
VACUUMS



Simplicityvac.com/register-warranty

What's the best way to be a part of the in crowd?

It's simple: register your Simplicity vacuum today and activate your warranty.

How do you like your vacuum?

Once you've had some time to try out your new Simplicity vacuum, we want to know what you think — leave a product review. It only takes a few minutes and it helps us make our products better... and your home simply cleaner.

Simplicity[®] VACUUMS

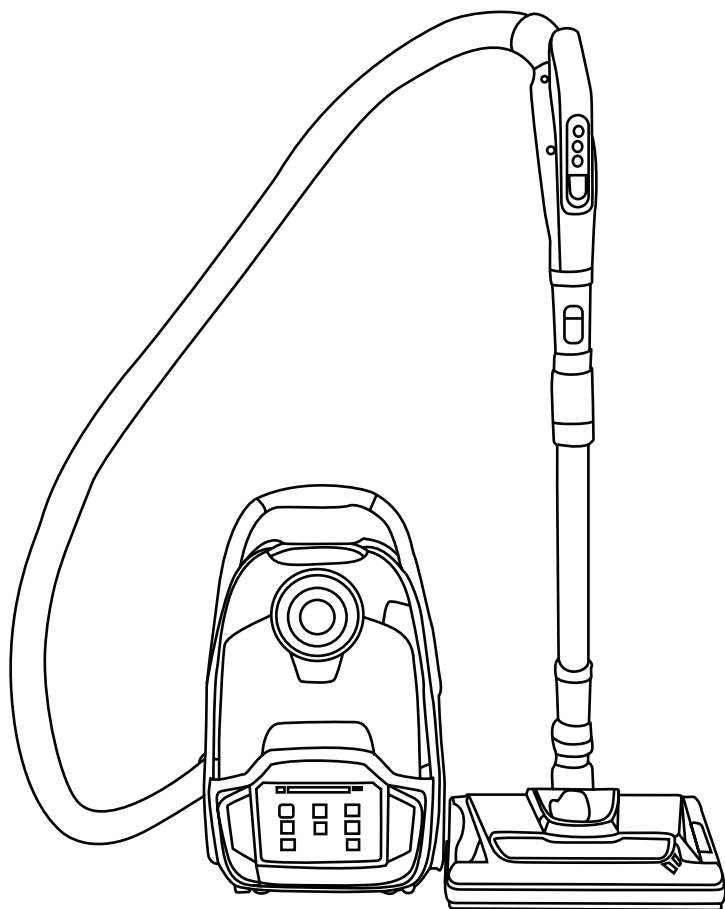
888-974-6759
1760 Gilsinn Lane
Fenton, MO 63026

Simplicity[®]

VACUUMS

Scout Plus

Manuel du propriétaire



SCOUT PLUS

TABLE DES MATIÈRES

Pour commencer

Consignes de sécurité importantes	2
Instructions de polarisation	3
Aspirateur avec tête motorisée	3
Identification des pièces	4

Assemblée

Tuyau flexible	5
Poignée	5

Accessoires

Tête motorisée	6
Outil pour sols durs en microfibre	6
Outil de plancher multi-usages	6
Outil de nettoyage 3 en 1	6
Outil pour tapisserie	7
Suceur plat	7
Brosse dépoussiérante	7

Commandes

Commandes	8
-----------------	---

Instructions

Utilisation du bouton de rembobinage du cordon et du bouton de veille marche/arrêt	9
Poignée de commande sans fil	10
Synchronisation de la poignée de commande sans fil.....	11

Entretien

Rangement de l'aspirateur	12
Remplacement du sac à poussières	12
Remplacement du filtre avant-moteur	13
Remplacement du filtre HEPA d'échappement	14
Nettoyage de la tête motorisée	14
Remplacement de la brosse et de la courroie d'entraînement de l'agitateur de la tête motorisée	15
Remplacement de la pile de la télécommande	16

Dépannage

Dépannage	17
Pour une meilleure performance	17

Informations sur la garantie

Enregistrement en ligne	18
-------------------------------	----

INSTRUCTIONS DE SÉCURITÉ IMPORTANTES

LISEZ ET COMPRENEZ TOUTES LES INSTRUCTIONS AVANT D'UTILISER CET APPAREIL.

Cet aspirateur doit être utilisé conformément à ces instructions et utilisé uniquement pour le nettoyage domestique afin d'éliminer la saleté et la poussière SÈCHES des tapis, des revêtements de sol, des murs et des tissus domestiques. Cet aspirateur n'est pas adapté pour être utilisé comme nettoyeur industriel et annulera la garantie du fabricant s'il est utilisé de manière inappropriée.

Veillez lire les instructions de ce manuel attentivement. Cela vous assurera de profiter pleinement de votre nouvel aspirateur. Conservez ce Manuel du propriétaire dans un endroit pratique et sûr pour référence ultérieure.

IMPORTANT :

Le fabricant ne pourra être tenu responsable en cas de dommage causé par une utilisation de cet appareil non conforme aux instructions, ou en cas de dommage dû à une utilisation autre que celle pour laquelle il a été conçu.

AVERTISSEMENT : Afin de réduire le risque d'incendie, de décharge électrique, de dégât ou de blessure :

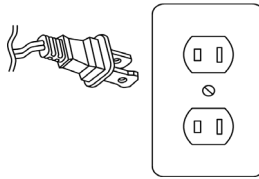
- Vide le sac lorsque l'indicateur de sac plein passe au rouge. Le fait de trop remplir le sac peut entraîner une obstruction de l'aspirateur par des saletés et des débris et provoquer une perte d'aspiration.
- Débranchez toujours l'aspirateur de la prise avant de remplacer le sac ou les filtres.
- Ne laissez pas l'appareil branché sans surveillance. Débranchez-le lorsque vous ne l'utilisez pas et avant de procéder à son entretien.
- **AVERTISSEMENT : IL EXISTE UN RISQUE D'ÉLECTROCUTION EN CAS D'UTILISATION EN EXTÉRIEUR OU SUR DES SURFACES HUMIDES.**
- Ne laissez pas vos enfants jouer avec l'appareil. Restez vigilant lors de son utilisation par ou à proximité des enfants.
- Utilisez uniquement selon les instructions décrites dans ce manuel. Utilisez uniquement les accessoires recommandés par le fabricant.
- N'utilisez pas cet appareil si la fiche ou le cordon est endommagé. Si cet appareil ne fonctionne pas comme prévu, s'il a subi une chute, a été endommagé, exposé aux intempéries, ou s'il est tombé à l'eau, renvoyez-le à votre revendeur agréé Simplicity pour le faire réparer.
- Ne débranchez pas l'appareil en tirant sur le cordon. Pour le débrancher, tirez sur la fiche et non pas sur le cordon.
- Ne manipulez pas la fiche ou l'appareil avec les mains mouillées.
- Ne tirez pas et ne soulevez pas l'appareil par le cordon, n'utilisez pas le cordon comme poignée, ne fermez pas une porte sur le cordon et ne serrez pas le cordon contre des bords tranchants ou des coins. Ne faites pas rouler l'appareil sur le cordon. Maintenez le cordon à distance des surfaces chaudes.
- N'insérez pas d'objets dans les ouvertures. N'utilisez pas l'appareil si une ouverture est obstruée; évitez l'accumulation de poussières, de peluches, de cheveux ou de tout autre élément pouvant réduire le flux d'air.
- Tenez les cheveux, les habits amples, les doigts et toute autre partie du corps à distance des ouvertures et des pièces mobiles.
- N'aspirez pas d'éléments incandescents ou émettant de la fumée tels que des cigarettes, des allumettes ou des cendres chaudes.
- N'utilisez pas l'appareil sans sac ou filtre.
- Éteignez toutes les commandes avant de débrancher.
- N'utilisez pas l'appareil ni pour aspirer des liquides inflammables ou combustibles tels que de l'essence, ni dans des endroits pouvant en contenir.
- N'essayez pas de nettoyer ou de réparer l'unité lorsque celle-ci est branchée.
- N'utilisez pas l'aspirateur pour puiser de l'eau ou ramasser tout autre matériau humide.
- Prenez des précautions supplémentaires lors de l'aspiration des escaliers.
- Le tuyau du Scout Plus contient des fils électriques. Ne pas utiliser lorsqu'il est endommagé, coupé ou perforé. Remplacer si coupé ou usé. Ne pas ramasser d'objets pointus.
- Éteignez et débranchez toujours l'aspirateur avant de brancher ou de débrancher le tuyau, le tube-rallonge ou la buse motorisée.
- Tenir la fiche lors du rembobinage de l'enrouleur de cordon. Ne laissez pas que la fiche s'agite lors du rembobinage.

CONSERVEZ CES INSTRUCTIONS

INSTRUCTIONS DE POLARISATION

Cordon d'alimentation, cordon polarisé à 2 fils

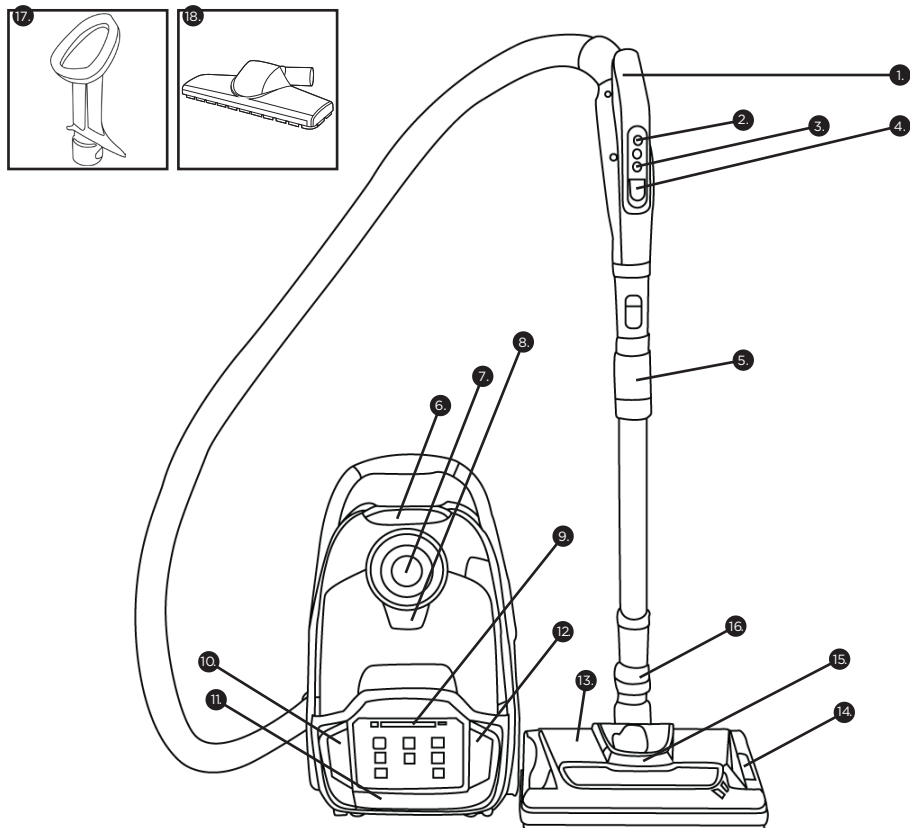
Afin de réduire le risque de choc électrique, cet aspirateur est équipé d'une fiche à courant alternatif polarisé (une fiche ayant une broche plus large que l'autre). Cette fiche entre dans la prise uniquement dans un sens. Il s'agit d'un dispositif de sécurité. Si vous ne parvenez pas à brancher totalement la fiche dans la prise, essayez en inversant le sens de la fiche. Si vous ne parvenez toujours pas à brancher correctement la fiche, contactez un électricien qualifié afin de remplacer la prise obsolète. Évitez de neutraliser le dispositif de sécurité de la fiche polarisée.



ASPIRATEUR AVEC TÊTE MOTORISÉE

1. Le tuyau électrique contient des connexions électriques; - Ne plongez pas dans l'eau. - Le tuyau doit être vérifié régulièrement et ne doit pas être utilisé s'il est endommagé. - La poignée de l'aspirateur contient des connexions électriques. La poignée n'est pas une pièce réparable. - Le tube-rallonge de l'aspirateur contient des connexions électriques. Le tube-rallonge n'est pas une pièce réparable. - La tête motorisée de l'aspirateur contient des connexions électriques. La tête motorisée n'est pas une pièce réparable.
2. Utilisez la tête motorisée uniquement pour aspirer de la poussière et des substances sèches dans la maison.
3. Pour éviter d'endommager le cordon d'alimentation, ne faites jamais rouler la tête motorisée sur le cordon d'alimentation.
4. Ne touchez jamais le rouleau à brosse lorsque l'aspirateur est branché à l'alimentation électrique.
5. Pour éviter une usure inutile de la tête motorisée, maintenez la tête motorisée en mouvement pendant le fonctionnement.
6. Tenez les cheveux, les mains et les pieds à distance de la brosse rotative pendant que la tête motorisée est en marche.
7. Avertissement : Ce produit nécessite/contient des piles bouton pour fonctionner. Les piles boutons sont dangereuses pour les jeunes enfants en cas d'ingestion. Tenez hors de portée des enfants en tout temps.

IDENTIFICATION DES PIÈCES

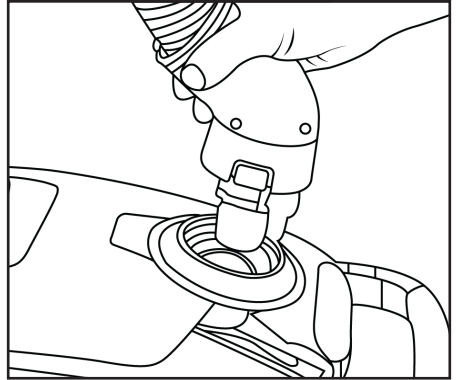


- | | | |
|--|--|--|
| (1) Poignée de commande | (8) Déverrouillage du couvercle d'accessoires Bouton | (14) Fenêtre de ceinture de tête motorisée |
| (2) Bouton Marche/Arrêt de la poignée | (9) Indicateur de sac à poussière plein | (15) Voyants DEL de la tête motorisée |
| (3) Contrôle de l'aspiration de la poignée Boutons | (10) Bouton Veille Marche/Arrêt | (16) Libération rapide du tube-rallonge |
| (4) Bouton Marche/Arrêt de la poignée (tête motorisée) | (11) Détachement du filtre d'échappement Buse à bouton | (17) Outil de nettoyage 3 en 1 |
| (5) Tube-rallonge télescopique | (12) Bouton de rembobinage du cordon | (18) Outil pour sols durs en microfibre |
| (6) Loquet du couvercle du sac à poussière | (13) Tête motorisée | |
| (7) Entrée d'air | | |

IMPORTANT! Débranchez toujours le cordon d'alimentation de l'alimentation avant d'installer ou de retirer des accessoires!

Tuyau flexible

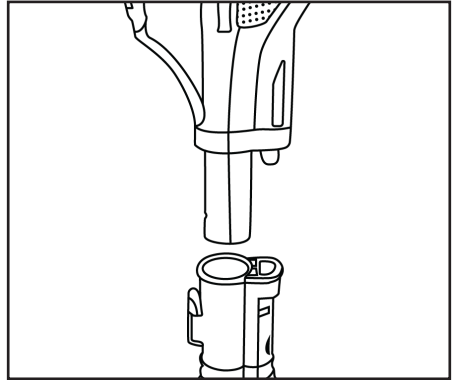
- Raccord : Insérez le tuyau flexible dans l'entrée d'air de l'aspirateur. Appuyez jusqu'à entendre un clic. (Fig. 1)
- Retrait : Appuyez sur les deux boutons et tirez doucement pour libérer le tuyau flexible. (Fig. 1)



(Fig. 1)

Poignée

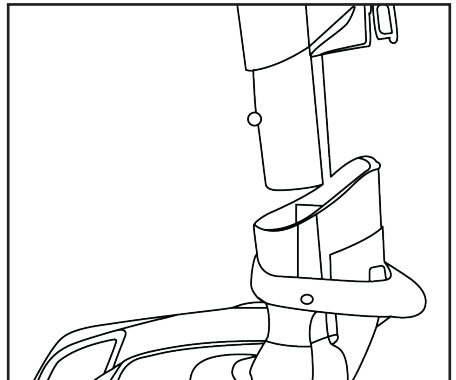
- Insérez doucement la poignée dans le tube-rallonge télescopique et poussez jusqu'à ce qu'elle s'enclenche. (Fig. 2)



(Fig. 2)

- Placez la tête motorisée sur le sol et insérez délicatement le tube-rallonge télescopique dans la tête motorisée. Poussez jusqu'à entendre un clic. (Fig. 3)

Remarque : La tête motorisée a un bouton de dégagement rapide pour retirer le tube-rallonge pour un accès facile et pratique. Appuyez simplement sur le bouton de dégagement rapide du tube-rallonge pour retirer le tube-rallonge de la tête motorisée.



(Fig. 3)

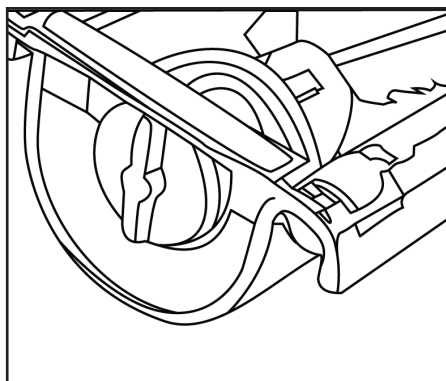
ACCESSOIRES

IMPORTANT! Demandez conseil aux fabricants de moquette avant d'utiliser la tête motorisée sur des moquettes en laine ou délicates.

Tête motorisée

La technologie Whirlwind Power Pulse nettoie en profondeur les tapis en soulevant et en éliminant efficacement la poussière et la saleté profondément incrustées.

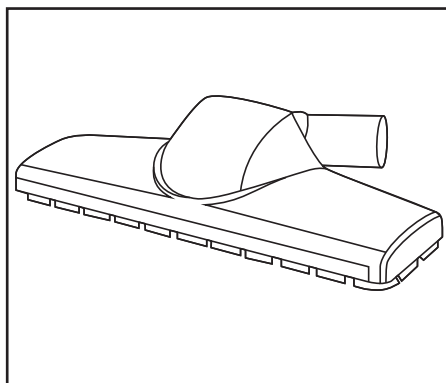
Conseil : La fenêtre de la courroie de la tête motorisée peut être utilisée pour vérifier l'état de la courroie de la tête motorisée ou si la brosse de l'agitateur tourne. (Fig. 4)



(Fig. 4)

Outil pour sols durs en microfibre

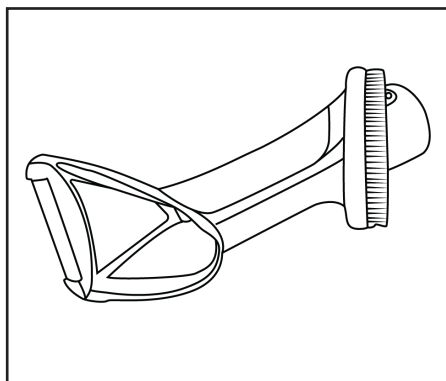
Nettoie et polit les sols en carrelage, le parquet et le linoléum (Fig. 5)



(Fig. 5)

Outil de nettoyage 3 en 1

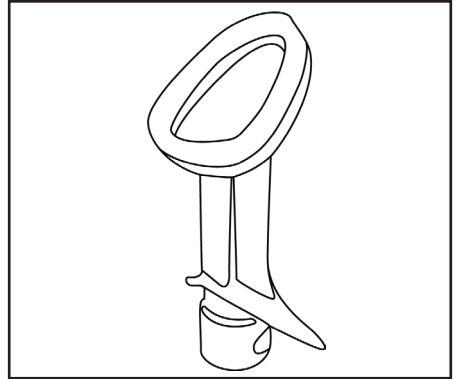
Combine un suceur plat, un outil pour tapisserie et une brosse dépoussiérante dans un seul outil pour un nettoyage pratique. Pour utiliser l'outil de nettoyage 3 en 1 comme outil pour tapisserie ou comme brosse dépoussiérante, retirez simplement le suceur plat et insérez le suceur plat dans l'extrémité opposée de l'outil que vous souhaitez utiliser. (Fig. 6)



(Fig. 6)

Outil pour tapisserie

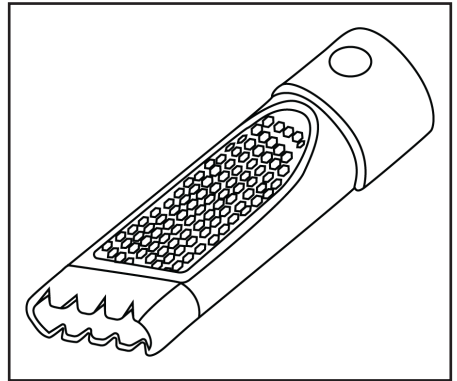
Pour passer l'aspirateur sur les meubles et la tapisserie. (Fig. 7)



(Fig. 7)

Suceur plat

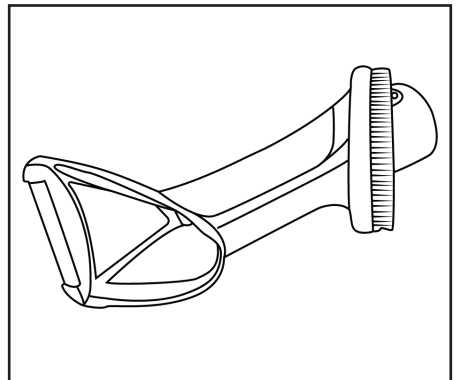
Élimine la poussière des endroits difficiles d'accès. (Fig. 8)



(Fig. 8)

Brosse dé poussiérante

Idéale pour nettoyer les stores, les étagères et les abat-jour. (Fig. 9)



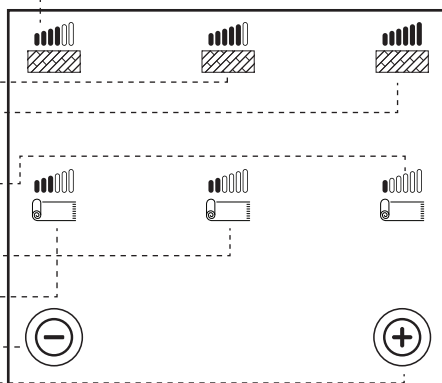
(Fig. 9)

COMMANDES

La puissance d'aspiration peut être réglée à l'aide de la commande de puissance numérique pour obtenir des résultats de nettoyage optimaux. Pour modifier la puissance d'aspiration en fonction d'une tâche de nettoyage particulière, appuyez sur le bouton d'augmentation de la puissance pour augmenter la puissance d'aspiration, et pour diminuer la puissance d'aspiration, appuyez sur le bouton de diminution de la puissance.

L'indicateur du sac à poussière clignote continuellement en rouge pour indiquer que le sac à poussière doit être remplacé ou pour indiquer qu'il y a un blocage. (Fig. 10)

- Aspiration à faible puissance (sol dur et tapisseries)
- Aspiration à moyenne puissance (sol dur et tapisseries)
- Aspiration à haute puissance (sol dur et tapisseries)
- Aspiration à faible puissance (abat-jour/rideaux)
- Aspiration à moyenne puissance (abat-jour/rideaux)
- Aspiration à haute puissance (abat-jour/rideaux)
- Bouton de diminution de la puissance
- Bouton d'augmentation de la puissance



(Fig. 10)

Remarque : Dans les deux réglages les plus bas, l'indicateur du sac à poussière ne clignote pas.

Conseil : Si la tête motorisée est trop difficile à pousser sur la moquette, réduisez l'aspiration en appuyant sur le bouton de diminution de la puissance ou sur le panneau de commande sur la poignée

Utilisation du bouton de rembobinage du cordon et du bouton de veille marche/arrêt

Bouton Veille Marche/Arrêt (Fig. 11)

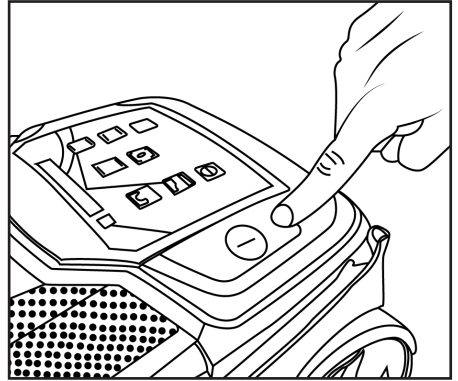
1. Déroulez une longueur suffisante de cordon d'alimentation. La marque jaune sur le cordon d'alimentation indique la longueur de cordon recommandée. N'ALLONGEZ PAS le cordon au-delà de la marque rouge.
2. Insérez le cordon dans la prise.
3. Appuyez sur le bouton Veille Marche/Arrêt pour mettre l'aspirateur en mode veille.
4. Pour allumer l'aspirateur :

- Appuyez sur le bouton Marche/Arrêt de la poignée de commande.
- Vous pouvez également appuyer sur les boutons de diminution de la puissance ou d'augmentation de la puissance sur le panneau de commande de puissance numérique.

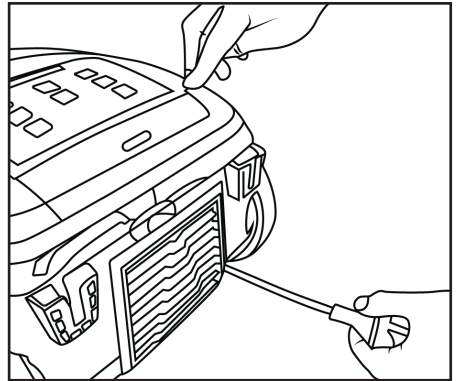
Rembobinage (Fig. 12)

1. Appuyez sur le bouton Marche/Arrêt pour éteindre l'aspirateur.
2. Débranchez le cordon de la prise de courant.
3. Pour rembobiner le cordon d'alimentation, appuyez sur le bouton de rembobinage d'une main et guidez le cordon de l'autre main pour vous assurer que le cordon d'alimentation ne fouette pas.

Remarque : Ne débranchez pas l'appareil en tirant sur le cordon d'alimentation. Pour débrancher, saisissez la fiche d'alimentation et non le cordon d'alimentation et retirez doucement la fiche d'alimentation de la prise de courant



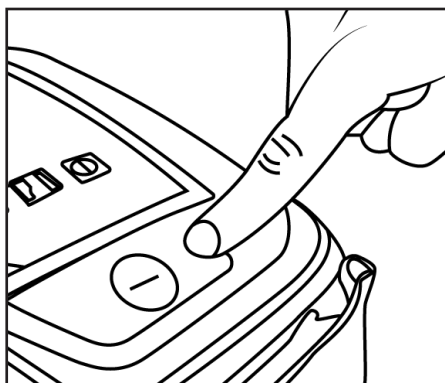
(Fig. 11)



(Fig. 12)

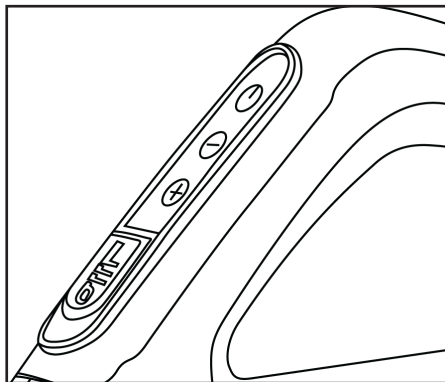
POIGNÉE DE COMMANDE SANS FIL

- Pour allumer ou éteindre l'aspirateur, appuyez sur le bouton. (Fig. 13)



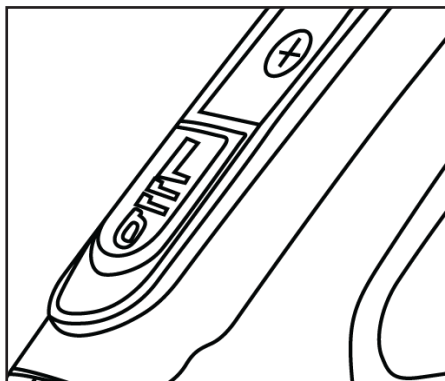
(Fig. 13)

- Pour augmenter ou diminuer manuellement le niveau de puissance d'aspiration, appuyez sur les boutons + ou -. (Fig. 14)



(Fig. 14)

- Pour allumer la tête motorisée, faites glisser le bouton marche/arrêt (tête motorisée) vers l'arrière. Pour éteindre la tête motorisée, faites glisser le bouton Marche/Arrêt (tête motorisée) vers l'avant. (Fig. 15)

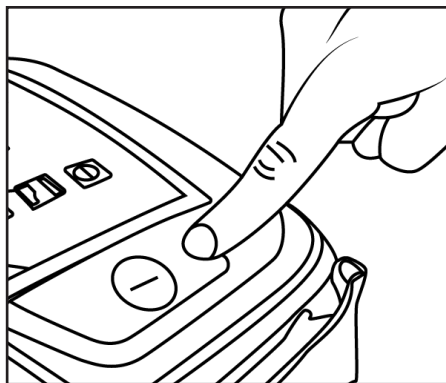


(Fig. 15)

SYNCHRONISATION DE LA POIGNÉE DE COMMANDE SANS FIL

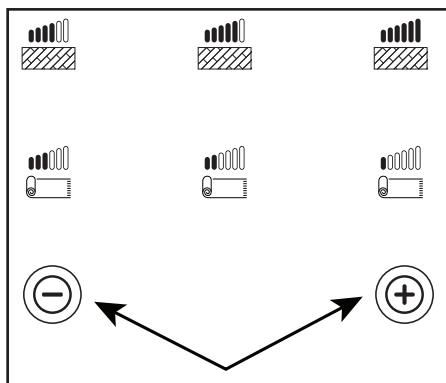
IMPORTANT! Si l'aspirateur ne répond pas après avoir mis l'aspirateur en mode veille et allumé l'aspirateur via la poignée de commande, veuillez suivre les étapes ci-dessous pour synchroniser la poignée avec l'aspirateur.

- Appuyez sur le bouton Veille Marche/ Arrêt. L'aspirateur sera en mode veille. (Fig. 16)



(Fig. 16)

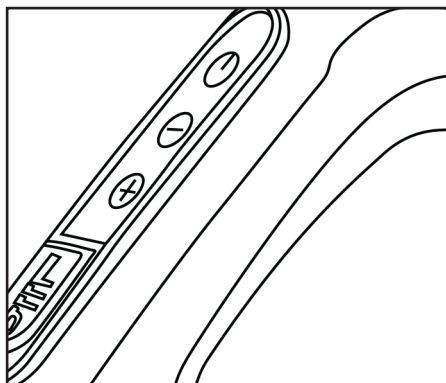
- Appuyez simultanément et maintenez enfoncés pendant 20 secondes les boutons de diminution de la puissance et d'augmentation de la puissance sur le panneau de commande de puissance numérique. S'il est effectué correctement, les icônes du panneau de commande de puissance numérique se mettront à clignoter et le voyant lumineux du sac à poussière s'éteindra. (Fig. 17)



(Fig. 17)

- Appuyez sur le bouton « + » de la poignée de commande sans fil pour synchroniser la poignée de commande sans fil avec l'aspirateur. S'il est effectué correctement, le voyant lumineux du sac à poussière se mettra à clignoter et les voyants lumineux des icônes sur le panneau de commande de puissance numérique s'éteindront. (Fig. 18)

Remarque : Veuillez vous assurer que le sac à poussière est complètement inséré dans le support du sac à poussière avant de fermer le couvercle pour éviter que la poussière ne s'échappe du sac à poussière.



(Fig. 18)

Rangement de l'aspirateur

Lorsqu'il n'est pas utilisé, assurez-vous que l'aspirateur est débranché de l'alimentation électrique et que le cordon est complètement rétracté. L'outil de plancher multi-usages peut être rangé dans les porte-outils de plancher. Les autres outils de plancher doivent être rangés séparément.

Remplacement du sac à poussière

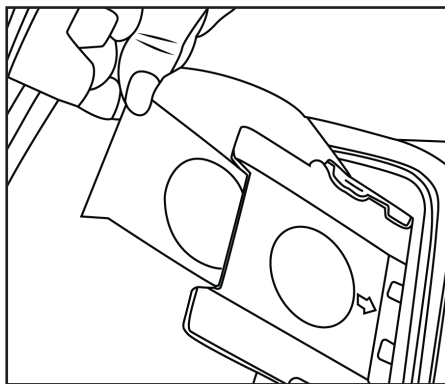
IMPORTANT! Assurez-vous que l'aspirateur est débranché de l'alimentation électrique lors de l'installation ou du retrait du sac à poussière.

Remarque : Utilisez uniquement le sac à poussière fourni ou recommandé par le fabricant pour éviter d'endommager la machine et d'annuler la garantie.

(Fig. 19)

Faites toujours fonctionner l'aspirateur avec le sac à poussière installé. Si vous oubliez d'installer le sac à poussière ou si le sac à poussière est mal installé, le couvercle du sac à poussière peut ne pas se fermer complètement.

- Retirez le tuyau de l'entrée d'air.
- Ouvrez le couvercle en tirant sur le loquet du couvercle du sac à poussière.
- Pour empêcher la poussière et les débris de s'échapper lorsque vous retirez le sac à poussière de la machine, tenez fermement le sac à poussière dans le support de sac à poussière et tirez doucement sur le joint du sac à poussière.
- Remontez un nouveau sac à poussière en insérant le collier du sac à poussière dans le support du sac à poussière. Assurez-vous que la flèche sur le collier du sac à poussière



(Fig. 19)

est orientée vers le bas lors de l'insertion dans le support du sac à poussière.

Remarque : Le sac à poussière a été conçu avec un joint pour empêcher la poussière et les débris de s'échapper lorsque le sac à poussière est retiré de l'aspirateur.

- Fermez doucement le couvercle, vous entendrez un « clic » lorsqu'il sera correctement fermé.

Remarque : Veuillez vous assurer que le sac à poussière est complètement inséré dans le support du sac à poussière avant de fermer le couvercle pour éviter que la poussière ne s'échappe du sac à poussière.

Remplacement du filtre avant-moteur

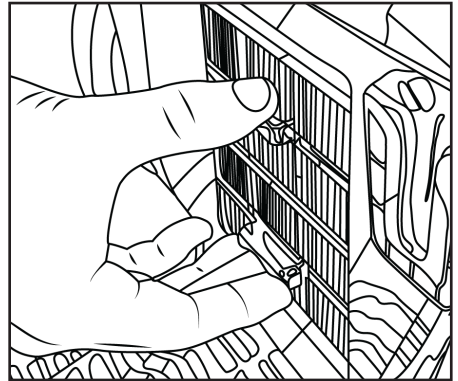
IMPORTANT! Assurez-vous que l'aspirateur est débranché de l'alimentation électrique avant d'effectuer toute procédure d'entretien.

Le filtre avant-moteur doit être remplacé tous les six mois ou lorsqu'il devient visiblement sale. Utilisez toujours l'aspirateur avec des filtres propres; sinon, il peut en résulter une réduction de la puissance d'aspiration ou des dommages au moteur.

Remarque : N'utilisez pas de machine à laver pour laver le filtre ni de sèche-cheveux pour sécher le filtre.

- Retirez l'assemblage de support de filtre.
- Remplacez-le par un nouveau filtre.

(Fig. 20)



(Fig. 20)

Remplacement du filtre d'échappement de type HEPA

IMPORTANT! Assurez-vous que l'aspirateur est débranché de l'alimentation électrique avant d'effectuer toute procédure d'entretien.

Le filtre d'échappement de type HEPA est installé derrière la grille de sortie d'air. Ce filtre est lavable. Lorsque de la poussière ou de la saleté est visible sur la surface du filtre, le filtre doit être remplacé ou lavé à l'eau tiède pour maintenir une performance optimale. Il est recommandé de remplacer le filtre tous les 6 mois ou lorsqu'il devient visiblement sale. Cela peut varier en fonction de la fréquence d'utilisation. Veuillez vous assurer que tous les filtres ont été correctement installés dans la machine avant utilisation.

- Appuyez sur le bouton de déverrouillage du filtre d'échappement pour accéder au filtre d'échappement de type HEPA. (Fig. 21)
- Retirez le filtre en tirant sur les languettes du filtre comme indiqué. (Fig. 22)

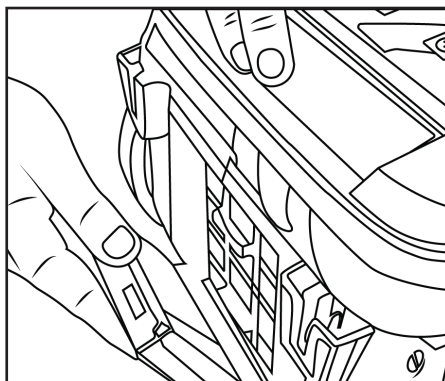
Nettoyage de la tête motorisée

IMPORTANT! Assurez-vous que l'aspirateur est débranché de l'alimentation électrique et que la tête motorisée est débranchée du tube-rallonge avant d'effectuer toute procédure d'entretien.

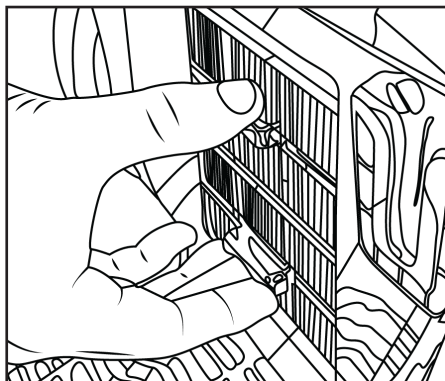
La brosse de l'agitateur doit être exempte de débris pour un nettoyage efficace et une aspiration maximale. (Fig. 23)

- Débranchez la tête motorisée du tube-rallonge d'aspiration et retournez-la pour inspecter la brosse de l'agitateur.
- Si une accumulation de débris est enroulée autour de la brosse de l'agitateur, retirez-la en coupant soigneusement les cheveux ou les débris avec des ciseaux. Évitez d'endommager ou de couper les poils.

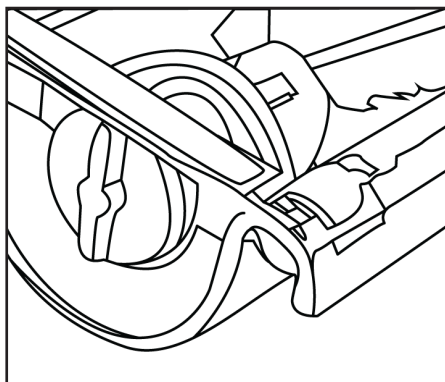
La tête motorisée a une fonction de protection contre les surcharges pour



(Fig. 21)



(Fig. 22)



(Fig. 23)

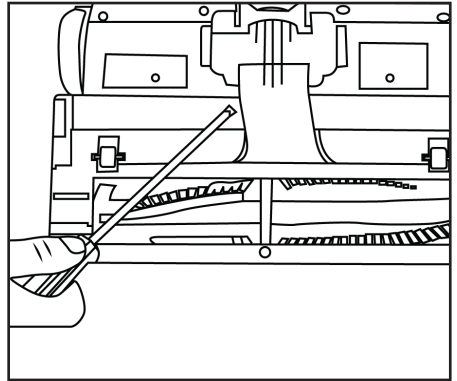
protéger le moteur dans la tête motorisée. La tête motorisée s'éteindra si la tête motorisée est obstruée. Pour réinitialiser la tête motorisée une fois qu'elle s'est automatiquement éteinte, nettoyez la brosse rotative, puis appuyez sur le bouton de protection contre les surcharges pour réinitialiser la tête motorisée. (Fig. 24)

Remplacement de la brosse et de la courroie d'entraînement de l'agitateur de la tête motorisée

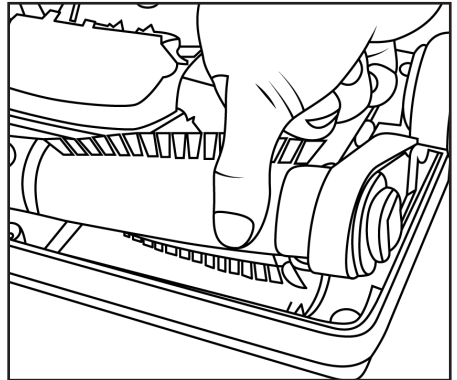
IMPORTANT! Assurez-vous que l'aspirateur est débranché de l'alimentation électrique et que la tête motorisée est débranchée du tube-rallonge avant d'effectuer toute procédure d'entretien.

En fonction de la fréquence d'utilisation, la brosse et la courroie d'entraînement de l'agitateur de la tête motorisée devront parfois être changées. (Fig. 25 et 26)

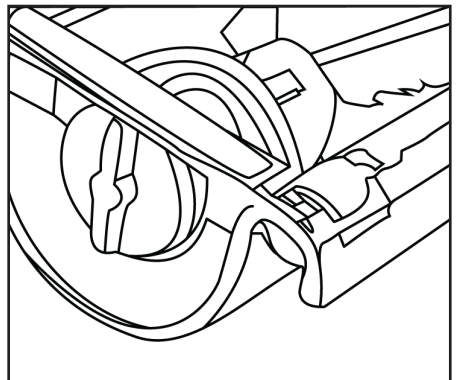
- Débranchez la tête motorisée du tube-rallonge d'aspiration et retournez-la. Avec un tournevis cruciforme, dévissez les huit vis.
- Retirez le couvercle de la tête motorisée pour accéder à la brosse et à la courroie de l'agitateur.
- Soulevez le côté de la brosse de l'agitateur avec la courroie attachée et faites glisser la courroie pour le retirer du capuchon d'extrémité. La brosse de l'agitateur peut maintenant être retirée pour être nettoyée ou remplacée.
- Faites glisser la courroie pour la retirer de l'arbre d'entraînement. Si la courroie est cassée, retirez tous les morceaux cassés. Pour remplacer la courroie, installez d'abord la nouvelle courroie sur l'arbre d'entraînement, puis sur le capuchon d'extrémité. Assurez-vous que le lettrage sur la ceinture est orienté vers l'extérieur.
- Réinstallez la brosse de l'agitateur solidement en place. Ensuite, installez le couvercle de la tête motorisée et les vis.



(Fig. 24)



(Fig. 25)



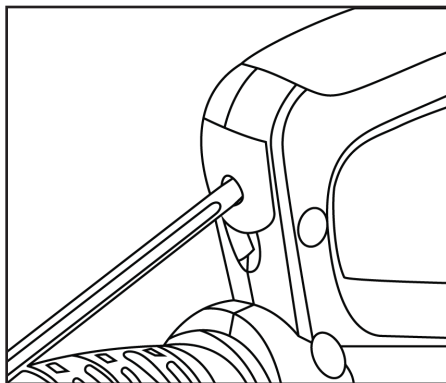
(Fig. 26)

Remplacement de la pile de la télécommande

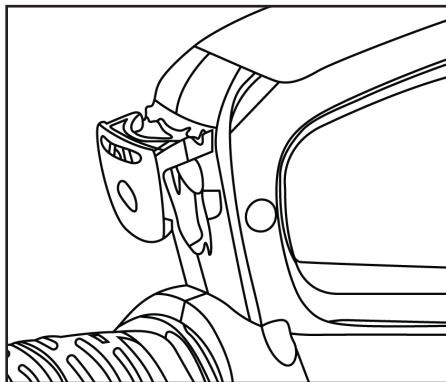
IMPORTANT! Assurez-vous que l'aspirateur est débranché de l'alimentation électrique avant d'effectuer toute procédure d'entretien. (Fig. 27 et 28)

- Dévissez le support de pile avec un tournevis. Le support de pile peut maintenant être retiré de la poignée.
- Remplacez la pile et réinsérez la pile dans la poignée. Assurez-vous que le support de pile est bien vissé avec un tournevis.

IMPORTANT! - Gardez la pile hors de portée des enfants et assurez-vous que le support de pile est bien fixé. Si vous soupçonnez que votre enfant a avalé ou inséré une pile bouton, appelez immédiatement le centre antipoison au 1-800-222-1222.



(Fig. 27)



(Fig. 28)

Problème	Point de vérification	Solution possible
L'aspirateur ne s'allume pas.	Cordon d'alimentation	Insérez la fiche d'alimentation fermement dans une prise électrique
La puissance d'aspiration est faible.	Sac Tuyau ou tube-rallonge bloqué	Remplacez le sac s'il est plein. Retirez ce qui cause l'obstruction.
L'aspirateur fait un bruit anormal lorsqu'il est allumé.	Tête motorisée Rouleau à brosse Tuyau ou tube-rallonge bloqué	Éteignez immédiatement. Vérifiez qu'il n'y a pas de blocages. Éliminez tous les blocages éventuellement trouvés. Vérifiez que la tête motorisée est bien installée.
La tête motorisée ne fonctionne pas	Bouton Marche/ Arrêt Brosse de l'agitateur Courroie	Vérifiez que le bouton Marche/Arrêt est en position « ON » (marche). Remplacer la batterie Vérifiez que l'installation de la tête motorisée est correcte. Retirez la brosse rotative et nettoyez tous les gros objets coincés autour de la barre de rouleau. Vérifiez qu'aucun objet n'appuie sur le dessus de la tête motorisée. Vérifiez par la fenêtre de la courroie de la tête motorisée que la courroie de la tête motorisée n'est pas cassée. Nettoyez la brosse rotative, puis appuyez sur le bouton de protection contre les surcharges pour réinitialiser la tête motorisée.
<p>Tout autre service doit être effectué par un revendeur autorisé de Simplicity Vacuum. Pour trouver le revendeur agréé le plus proche, visitez notre site Web à www.SimplicityVac.com ou appelez le 888-974-6759.</p>		

POUR UNE MEILLEURE PERFORMANCE

- Utilisez la machine avec un sac, un filtre avant-moteur et un filtre plissé.
- Maintenez la machine et tous les accessoires propres et en bon état de fonctionnement.
- Remplacez le sac lorsqu'il est plein aux 2/3. Le numéro de sac de remplacement est SSH-6.
- Vérifiez et remplacez les filtres tous les 6 mois ou plus fréquemment si vous aspirez des poudres fines comme la farine ou la poussière murale sèche.
- Utilisez toujours des filtres et des pièces certifiés, car l'utilisation d'autres produits peut entraîner un mauvais nettoyage ou une mauvaise qualité de filtration. Les produits de filtration Simplicity d'origine sont conçus pour une performance maximale.
- Rangez la machine dans un endroit propre et sec à l'intérieur.
- Pour une meilleure performance de nettoyage et plus de sécurité, suivez les instructions de ce manuel.

INFORMATIONS SUR LA GARANTIE

Ce que couvre cette garantie :

La présente garantie couvre tous défauts de matériau et de fabrication de votre nouvel aspirateur Simplicity.

Durée de la couverture :

La couverture de la garantie pour cet aspirateur Simplicity dure une année. Les modèles domestiques utilisés commercialement sont garantis uniquement pendant 90 jours.

Simplicity[®]
VACUUMS



Simplicityvac.com/register-warranty

Quelle est la meilleure façon de faire partie du groupe?

C'est simple : il vous suffit d'enregistrer votre aspirateur Simplicity aujourd'hui et d'activer votre garantie.

Comment trouvez-vous votre aspirateur?

Une fois que vous aurez eu l'occasion d'essayer votre nouvel aspirateur Simplicity, nous aimerions savoir ce que vous en pensez. N'hésitez pas à nous laisser votre avis. Cela ne prend que quelques minutes et nous aide à améliorer nos produits... et la propreté de votre maison.

Simplicity[®] VACUUMS

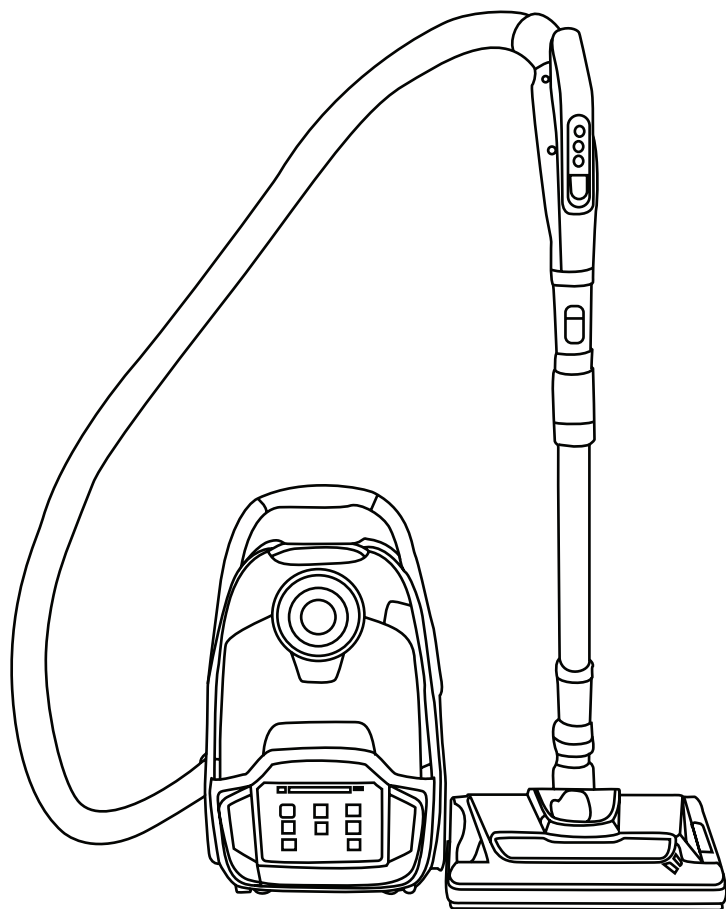
888-974-6759
1760 Gilsinn Lane
Fenton, MO 63026

Simplicity[®]

VACUUMS

Scout Plus

Manual del propietario



SCOUT PLUS

Pasos iniciales

Importantes instrucciones de seguridad	2
Instrucciones de polarización	3
Aspiradora con cabezal motorizado	3
Identificación de piezas	4

Montaje

Manguera flexible	5
Mango	5

Accesorios

Cabezal motorizado	6
Herramienta de micro fibra para el piso	6
Accesorio combinado para pisos	6
Accesorio de limpieza 3 en 1	6
Accesorio para tapicería	7
Boquilla para rendijas	7
Cepillo para polvo	7

Controles

Controles	8
-----------------	---

Instrucciones

Uso del botón de rebobinado de cable y el botón de encendido/apagado en espera	9
Mango de control inalámbrico	10
Sincronización del mango de control inalámbrico	11

Mantenimiento

Almacenamiento de la aspiradora	12
Sustitución de la bolsa para polvo	12
Reemplazo del filtro previo al motor	13
Reemplazo del filtro de escape HEPA	14
Limpieza del cabezal motorizado	14
Reemplazo del cepillo agitador del cabezal motorizado y la correa de transmisión	15
Cambio de la batería del control remoto	16

Solución de problemas

Solución de problemas	17
Para un mejor rendimiento	17

Información de garantía

Regístrese en línea	18
---------------------------	----

IMPORTANTES INSTRUCCIONES DE SEGURIDAD

LEA Y COMPRENDA TODAS LAS INSTRUCCIONES ANTES DE UTILIZAR ESTA UNIDAD.

Esta aspiradora debe usarse de acuerdo con estas instrucciones y solo en la limpieza doméstica del hogar para eliminar la suciedad SECA y el polvo de las alfombras, pisos, paredes y telas del hogar. Esta aspiradora no es apta para usarse como limpiador industrial y anulará la garantía del fabricante si se usa de manera inapropiada. Lea atentamente estas instrucciones. Esto asegurará que obtenga todos los beneficios de su nueva aspiradora. Guarde este manual del propietario en un lugar conveniente y seguro para referencia futura.

IMPORTANTE:

El fabricante no se hace responsable de los daños causados cuando el electrodoméstico no se utiliza de acuerdo con las instrucciones, o se usa para tareas distintas a las previstas.

ADVERTENCIA: Para reducir el riesgo de incendio, descarga eléctrica, daños o lesiones:

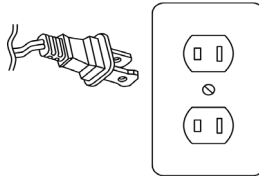
- Vacíe la bolsa cuando el indicador de bolsa llena se ponga en rojo. Llenar demasiado la bolsa puede provocar que la suciedad y los desechos obstruyan la aspiradora y provoquen una pérdida de succión.
- Desenchufe siempre la aspiradora de la toma de corriente antes de reemplazar la bolsa o los filtros.
- No se aleje del electrodoméstico cuando esté enchufado. Desenchufe la aspiradora de la toma de corriente cuando no esté en uso y antes de hacerle el mantenimiento.
- **ADVERTENCIA:** SE PUEDEN PRODUCIR DESCARGAS ELÉCTRICAS SI SE UTILIZA AL AIRE LIBRE O EN SUPERFICIES MOJADAS.
- No permita que se utilice como juguete. Es necesario prestar mucha atención cuando sea utilizado por niños o cerca de ellos.
- Úselo únicamente como se describe en este manual. Utilice únicamente los accesorios recomendados por el fabricante.
- No lo utilice con un cable o enchufe dañado. Si el electrodoméstico no funciona como debiera, se ha caído o dañado, se ha dejado al aire libre o se ha caído al agua, devuélvalo a su Distribuidor autorizado para su reparación.
- No desenchufe tirando del cable. Para desenchufar, agarre el enchufe, no el cable.
- No manipule el enchufe ni el aparato con las manos mojadas.
- No lo jale ni lo transporte sosteniéndolo del cable, no use el cable como mango, no apriete el cable con una puerta ni tire del cable alrededor de bordes o esquinas afilados. No pase el electrodoméstico sobre el cable. Mantenga el cable alejado de superficies calientes.
- No introduzca ningún objeto en las aberturas. No lo use si alguna de sus aberturas está bloqueada; manténgalo libre de polvo, pelusa, cabello y cualquier cosa que pueda reducir el flujo de aire.
- Mantenga el cabello, la ropa holgada, los dedos y todas las partes del cuerpo alejados de las aberturas y las partes móviles.
- No recoja nada que se esté quemando o que esté humeando, como cigarrillos, fósforos o cenizas calientes.
- No lo use sin la bolsa o los filtros en su lugar.
- Apague todos los controles antes de desenchufar.
- No lo use para recoger líquidos inflamables o combustibles como la gasolina, ni en áreas donde estos productos puedan estar presentes.
- No intente reparar la unidad mientras el electrodoméstico está enchufado.
- No utilice la aspiradora para recoger agua o cualquier material húmedo.
- Tenga especial cuidado al limpiar escaleras.
- La manguera de la Scout Plus contiene cables eléctricos. No la use cuando esté dañada, cortada o perforada. Reemplácela si está cortada o desgastada. No recoja objetos punzantes.
- Siempre apague y desenchufe la aspiradora antes de conectar o desconectar la manguera, el tubo o la boquilla motorizada.
- Sostenga el enchufe cuando rebobine el carrete del cable. No permita que el enchufe se agite al rebobinar.

GUARDE ESTAS INSTRUCCIONES

INSTRUCCIONES DE POLARIZACIÓN

Cable de alimentación, cable polarizado de 2 hilos

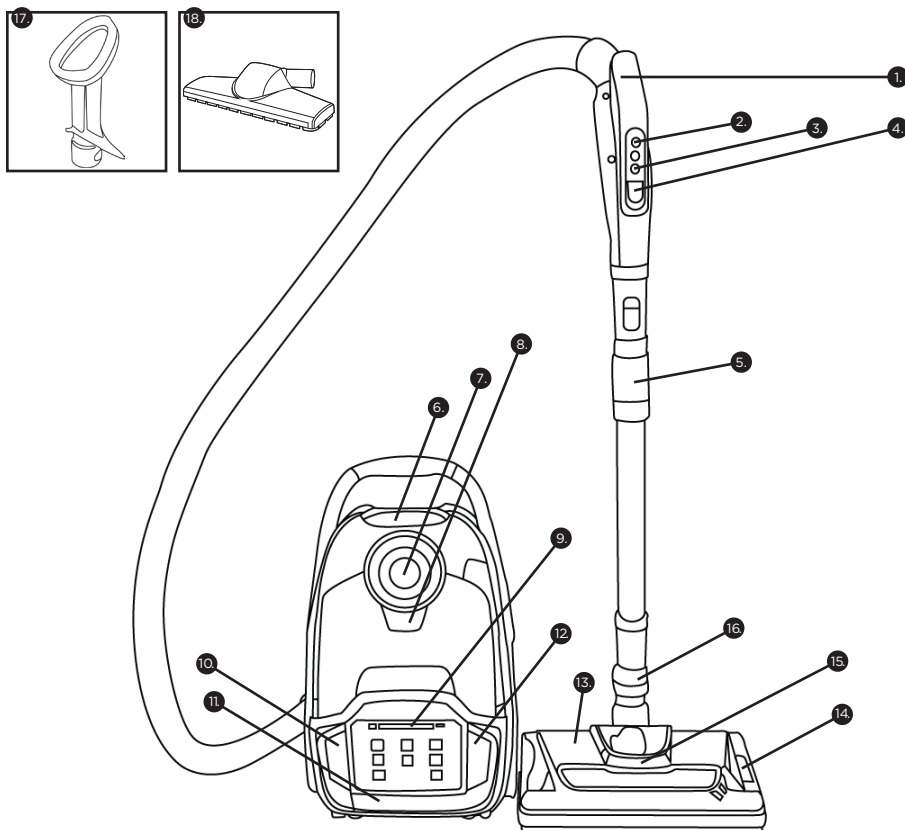
Para reducir el riesgo de descarga eléctrica, la aspiradora está equipada con un enchufe de cable de corriente alterna polarizada (un enchufe que tiene una clavija más ancha que la otra). Este enchufe encajará en la toma de corriente de una sola manera. Esta es una característica de seguridad. Si no puede insertar el enchufe completamente en la toma de corriente, intente invertir el enchufe. Si el enchufe aún no encaja, comuníquese con un electricista calificado para reemplazar la toma de corriente obsoleta. No anule el propósito de seguridad del enchufe polarizado.



ASPIRADORA CON CABEZAL MOTORIZADO

1. La manguera eléctrica contiene conexiones eléctricas; - No sumergir en agua. - La manguera debe revisarse regularmente y no debe usarse si está dañada. - El mango de la aspiradora contiene conexiones eléctricas. El mango no es una pieza reparable. - El tubo de la aspiradora contiene conexiones eléctricas. El tubo no es una pieza reparable. - El cabezal motorizado de la aspiradora contiene conexiones eléctricas. El cabezal motorizado no es una pieza reparable.
2. Use el cabezal motorizado solo para aspirar polvo y sustancias secas en el hogar.
3. Para evitar dañar el cable de alimentación, nunca lo pase por encima con el cabezal motorizado.
4. Nunca toque el cepillo cilíndrico mientras la aspiradora esté conectada a la fuente de alimentación.
5. Para evitar el desgaste innecesario del cabezal motorizado, manténgalo en movimiento mientras esté en funcionamiento.
6. Mantenga el cabello, las manos y los pies alejados del cepillo giratorio mientras el cabezal motorizado esté funcionando.
7. Advertencia: Este producto requiere/contiene pilas de botón para funcionar. Las pilas de botón son peligrosas para los niños pequeños si se las tragan. Se deben mantener fuera del alcance de los niños en todo momento.

IDENTIFICACIÓN DE PIEZAS

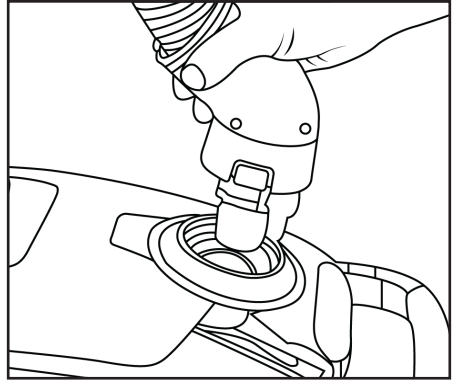


- | | | |
|---|--|--|
| (1) Mango de control | (8) Liberación de la cubierta de accesorios Botón | (15) Luces LED del cabezal motorizado |
| (2) Botón de encendido/apagado del mango | (9) Indicador de bolsa para polvo llena | (16) Tubo de liberación rápida |
| (3) Control de succión del mango Botones | (10) Botón de encendido/apagado en espera | (17) Accesorio de limpieza 3 en 1 |
| (4) Botón de encendido/apagado del mango (Cabezal motorizado) | (11) Liberación del filtro de escape Boquilla de botón | (18) Herramienta de micro fibra para el piso |
| (5) Tubo telescópico | (12) Botón de rebobinado del cable | |
| (6) Pestillo de la cubierta de la bolsa para polvo | (13) Cabezal motorizado | |
| (7) Entrada de aire | (14) Ventana del cinturón del cabezal motorizado | |

¡IMPORTANTE! ¡Retire siempre el cable de alimentación de la fuente de alimentación antes de instalar o retirar accesorios!

Manguera flexible

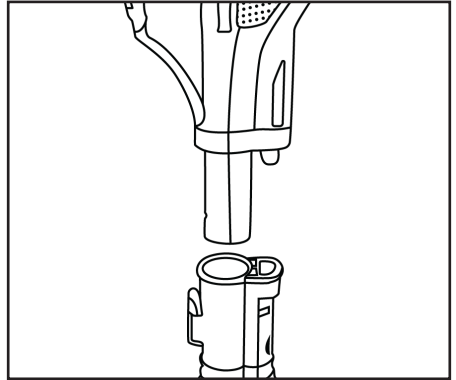
- Acople: inserte la manguera flexible en la entrada de aire de la aspiradora. Presione hasta que encaje en su posición. (Fig. 1)
- Desacople: presione los dos botones y tire suavemente para liberar la manguera flexible. (Fig. 1)



(Fig. 1)

Mango

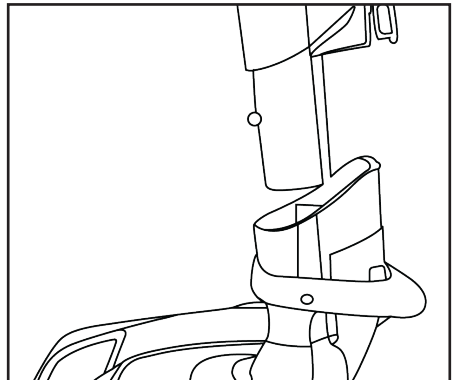
- Inserte suavemente el mango en el tubo telescópico y empuje hasta que encaje en su lugar. (Fig. 2)



(Fig. 2)

- Coloque el cabezal motorizado en el piso e inserte suavemente el tubo telescópico en el cabezal motorizado. Presiónela hasta que encaje en su lugar. (Fig. 3)

Nota: el cabezal motorizado tiene un botón de liberación rápida para quitar el tubo para un acceso fácil y conveniente. Simplemente presione la liberación rápida del tubo para quitarlo del cabezal motorizado.



(Fig. 3)

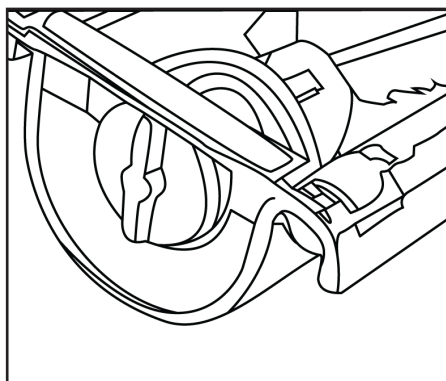
ACCESORIOS

¡IMPORTANTE! Consulte a los fabricantes de alfombras antes de usar el cabezal motorizado en alfombras de lana o delicadas.

Cabezal motorizado

La tecnología Whirlwind Power Pulse limpia profundamente las alfombras levantando y eliminando eficazmente el polvo y la suciedad profundamente incrustados.

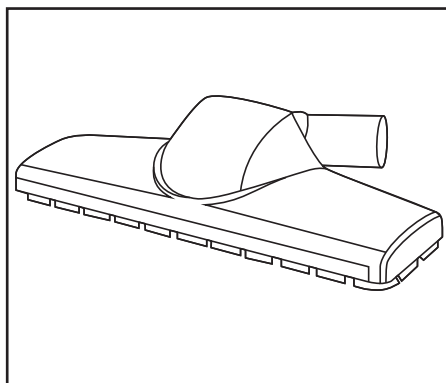
Consejo: la ventana de la correa del cabezal motorizado se puede usar para comprobar el estado de la correa del cabezal motorizado o si el cepillo agitador está girando. (Fig. 4)



(Fig. 4)

Herramienta de micro fibra para el piso

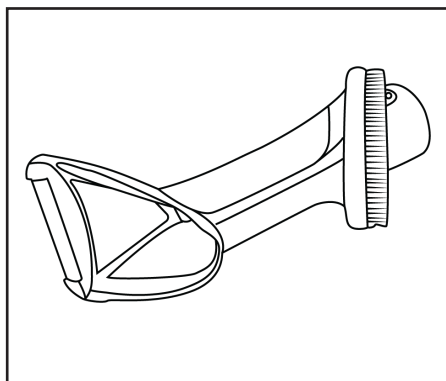
Limpia y pule piso de cerámica o porcelana, duela (o piso de madera), y piso de linóleo (Fig. 5)



(Fig. 5)

Accesorio de limpieza 3 en 1

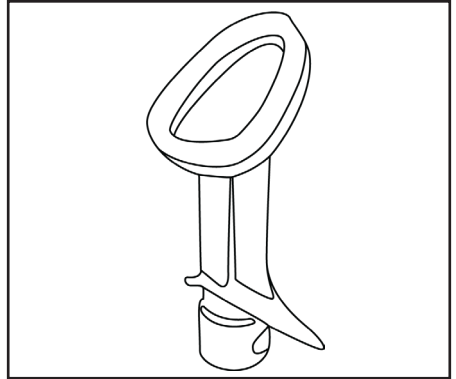
Combina un accesorio para grietas, un accesorio para tapicería y un cepillo para polvo, todo en un solo accesorio, para una limpieza conveniente. Para usar el accesorio de limpieza 3 en 1 como accesorio para tapicería o como cepillo para polvo, simplemente quite el accesorio para



(Fig. 6)

Accesorio para tapicería

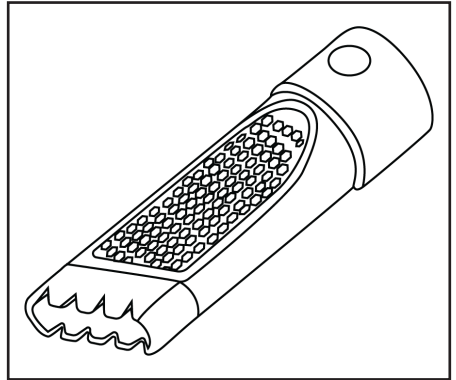
Para aspirar muebles y tapizados.
(Fig. 7)



(Fig. 7)

Boquilla para rendijas

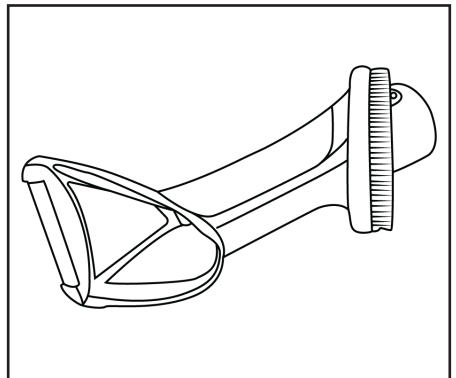
Elimina el polvo de lugares de difícil acceso.
(Fig. 8)



(Fig. 8)

Cepillo para polvo

Ideal para limpiar persianas, estanterías
y pantallas de lámparas. (Fig. 9)



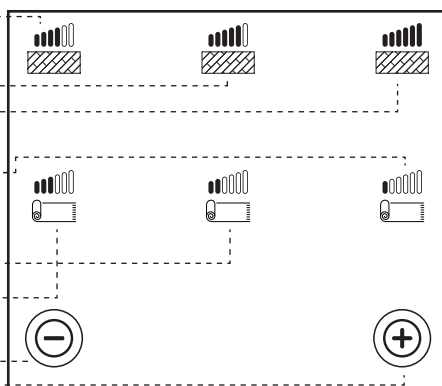
(Fig. 9)

CONTROLES

La potencia de succión se puede regular utilizando el control de potencia digital para lograr resultados de limpieza óptimos. Para cambiar la potencia de succión para adaptarla a una tarea de limpieza en particular, presione el botón de aumento de potencia para aumentar la potencia de succión, y para reducir la potencia de succión, presione el botón de disminución de potencia.

El indicador de la bolsa para polvo parpadeará continuamente en rojo para indicar que es necesario reemplazar la bolsa para polvo o para indicar que hay un bloqueo. (Fig. 10)

- Succión de baja potencia (pisos duros y tapicería)
- Succión de potencia media (pisos duros y tapicería)
- Succión de alta potencia (pisos duros y tapicería)
- Succión de baja potencia (pantallas de lámparas/cortinas)
- Succión de potencia media (pantallas de lámparas/cortinas)
- Succión de alta potencia (pantallas de lámparas/cortinas)
- Botón de disminución de potencia
- Botón de aumento de potencia



(Fig. 10)

Nota: En los dos ajustes más bajos, el indicador de la bolsa para polvo no parpadea.

Consejo: Si es demasiado difícil empujar el cabezal motorizado sobre la alfombra, reduzca la succión presionando el botón de disminución de potencia o el panel de control en el mango.

Uso del botón de rebobinado de cable y el botón de encendido/apagado en espera

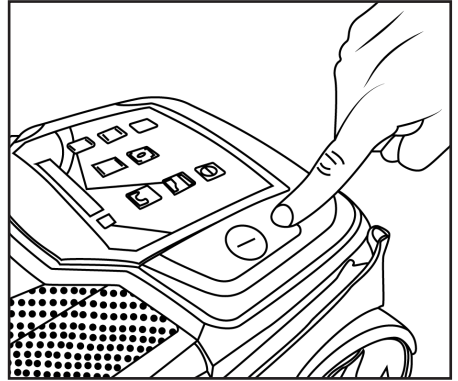
Botón de encendido/apagado en espera (Fig. 11)

1. Desenrolle una longitud suficiente de cable de alimentación. La marca amarilla en el cable de alimentación muestra la longitud recomendada del cable. NO extienda el cable más allá de la marca roja.
2. Inserte el cable en la toma de corriente.
3. Presione el botón de encendido/apagado en espera para poner la aspiradora en modo de espera.
4. Para encender la aspiradora:
 - Presione el botón de encendido/apagado en el mango de control.
 - Alternativamente, presione los botones de reducción de potencia o aumento de potencia en el panel de control de potencia digital.

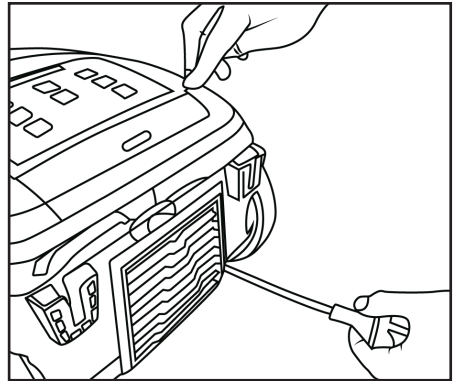
Rebobinar (Fig. 12)

1. Pulse el botón de encendido/apagado para apagar la aspiradora.
2. Desconecte el cable de la toma de corriente.
3. Para rebobinar el cable de alimentación, presione el botón de rebobinado con una mano y guíe el cable con la otra mano para asegurarse de que quede parejo.

Nota: No desenchufe tirando del cable. Para desenchufar, sujete el enchufe, no el cable de alimentación, y tire suavemente del enchufe para extraerlo de la toma de corriente.



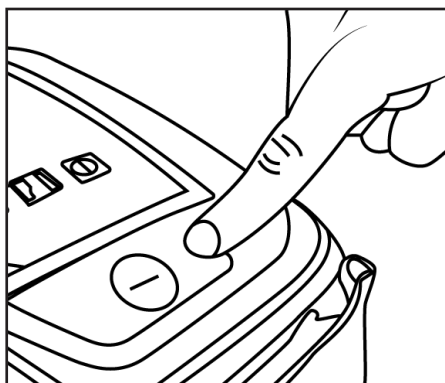
(Fig. 11)



(Fig. 12)

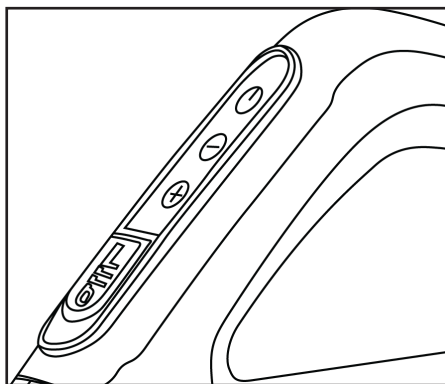
MANGO DE CONTROL INALÁMBRICO

- Para encender o apagar la aspiradora presione el botón. (Fig. 13)



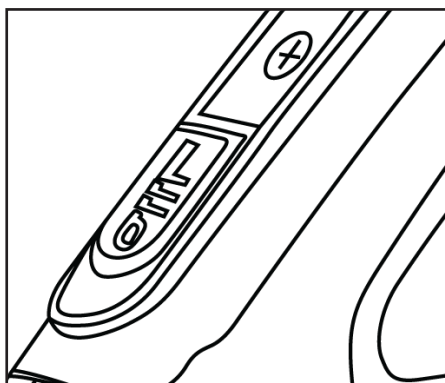
(Fig. 13)

- Para aumentar o disminuir manualmente el nivel de potencia de succión, presione los botones “+” o “-”. (Fig. 14)



(Fig. 14)

- Para encender el cabezal motorizado, deslice el botón de encendido/apagado (cabezal motorizado) hacia atrás. Para apagar el cabezal motorizado, deslice el Botón de encendido/apagado (cabezal motorizado) hacia adelante. (Fig. 15)

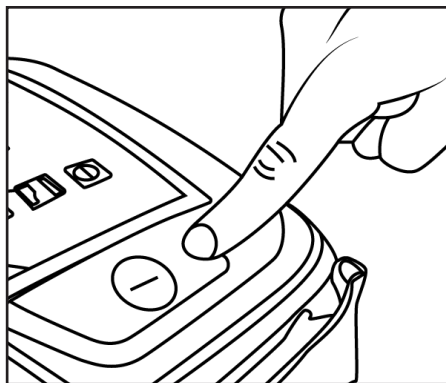


(Fig. 15)

SINCRONIZACIÓN DEL MANGO DE CONTROL INALÁMBRICO

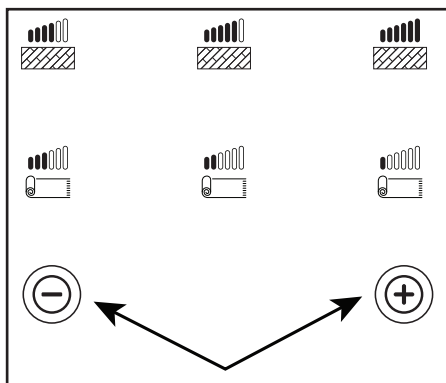
¡IMPORTANTE! Si la aspiradora no responde después de ponerla en modo de espera y encenderla a través del mango de control, siga los pasos a continuación para sincronizar el mango con la aspiradora.

- Pulse el botón de encendido/apagado del modo de espera. La aspiradora estará en modo de espera. (Fig. 16)



(Fig. 16)

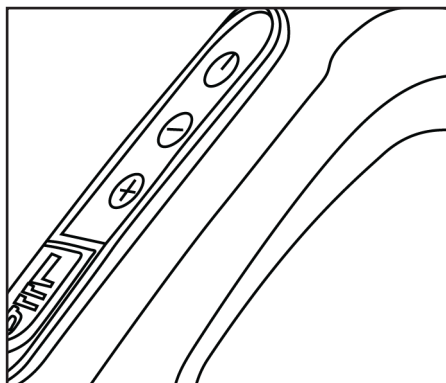
- Presione y mantenga presionados simultáneamente durante 20 segundos los botones de disminución y aumento de potencia en el panel de control de potencia digital. Si se realiza correctamente, los íconos en el panel de control de energía digital parpadearán y la luz indicadora de la bolsa para polvo se apagará. (Fig. 17)



(Fig. 17)

- Presione el botón "+" en el mango de control inalámbrico para sincronizarlo con la aspiradora. Si se realizó correctamente, la luz indicadora de la bolsa para polvo parpadeará y las luces de los iconos en el panel de control de energía digital se apagarán. (Fig. 18)

Nota: Asegúrese de que la bolsa para polvo esté completamente insertada en el soporte de la bolsa para polvo antes de cerrar la tapa para evitar que se escape polvo de la bolsa.



(Fig. 18)

Almacenamiento de la aspiradora

Cuando no esté en uso, asegúrese de que la aspiradora esté desconectada de la fuente de alimentación y que el cable esté completamente retraído. El accesorio de piso combinado se puede guardar en los portaccesorios para accesorios de piso. Otros accesorios de piso deben almacenarse por separado.

Sustitución de la bolsa para polvo

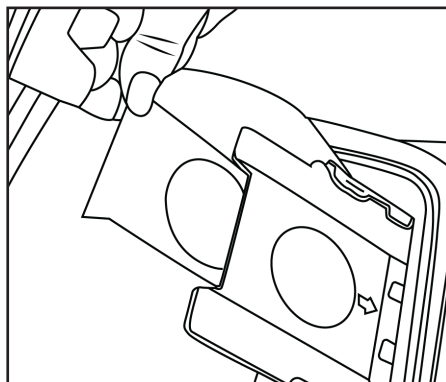
¡IMPORTANTE! Asegúrese de que la aspiradora esté desconectada de la fuente de alimentación cuando instale o retire la bolsa para polvo.

Nota: Utilice únicamente la bolsa para polvo suministrada o recomendada por el fabricante para evitar dañar la máquina y anular la garantía.

(Fig. 19)

Siempre opere la aspiradora con la bolsa para polvo instalada. Si olvida instalar o instala incorrectamente la bolsa para polvo, es posible que la cubierta de la bolsa para polvo no se cierre por completo.

- Retire la manguera de la entrada de aire.
- Abra la cubierta tirando del pestillo de la cubierta de la bolsa para polvo.
- Para evitar que el polvo y la suciedad se escapen al retirar la bolsa para polvo de la máquina, sostenga firmemente la bolsa para polvo en el soporte de la bolsa para polvo y tire suavemente del sello de la bolsa para polvo.
- Coloque una nueva bolsa para polvo insertando el collar de la bolsa para polvo en el soporte de la bolsa para polvo. Asegúrese de que la flecha en el collar de la



(Fig. 19)

bolsa para polvo mire hacia abajo cuando se inserte en el soporte de la bolsa para polvo.

Nota: La bolsa para polvo ha sido diseñada con un sello para evitar que el polvo y los residuos se escapen cuando se retira la bolsa para polvo de la aspiradora.

- Cierre suavemente la cubierta, escuchará un 'clíc' cuando se cierre correctamente.

Nota: Asegúrese de que la bolsa para polvo esté completamente insertada en el soporte de la bolsa para polvo antes de cerrar la tapa para evitar que se escape polvo de la bolsa.

Reemplazo del filtro previo al motor

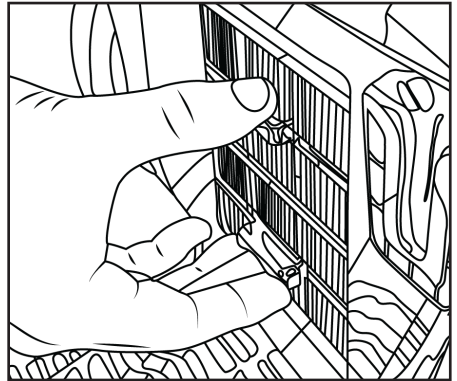
¡IMPORTANTE! Asegúrese de que la aspiradora esté desconectada de la fuente de alimentación antes de realizar cualquier procedimiento de mantenimiento.

El filtro previo al motor debe reemplazarse cada seis meses o cuando esté visiblemente sucio. Siempre opere la aspiradora con filtros limpios; de lo contrario, podría haber una reducción en la potencia de succión o podría dañarse el motor.

Nota: No use una lavadora para lavar el filtro o un secador de pelo para secar el filtro.

- Extraiga el conjunto del soporte del filtro.
- Reemplácelo con un filtro nuevo.

(Fig. 20)



(Fig. 20)

MANTENIMIENTO

Reemplazo del filtro tipo HEPA de escape

¡IMPORTANTE! Asegúrese de que la aspiradora esté desconectada de la fuente de alimentación antes de realizar cualquier procedimiento de mantenimiento.

El filtro tipo HEPA de escape está instalado detrás de la rejilla de salida de aire. Este filtro es lavable. Cuando se vea polvo o suciedad en la superficie del filtro, se debe reemplazar el filtro o lavarlo con agua tibia para mantener un rendimiento óptimo.

Se recomienda reemplazar el filtro cada 6 meses o cuando esté visiblemente sucio.

Esto puede variar dependiendo de la frecuencia de uso. Asegúrese de que todos los filtros se hayan instalado correctamente en la máquina antes de su uso.

- Presione el botón de liberación del filtro de escape para acceder al filtro tipo HEPA de escape. (Fig. 21)
- Retire el filtro tirando de las pestañas del filtro como se muestra. (Fig. 22)

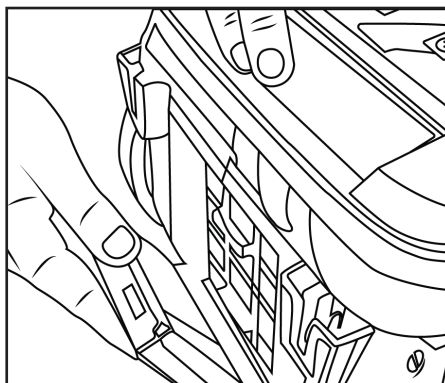
Limpieza del cabezal motorizado

¡IMPORTANTE! Asegúrese de que la aspiradora esté desconectada de la fuente de alimentación y que el cabezal motorizado esté desconectado del tubo antes de realizar cualquier procedimiento de mantenimiento.

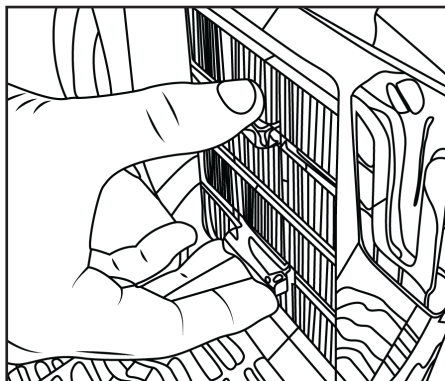
El cepillo agitador debe estar libre de residuos para una limpieza eficaz y una succión máxima. (Fig. 23)

- Desconecte el cabezal motorizado del tubo de aspiración y gírelo para inspeccionar el cepillo agitador.
- Si se acumulan residuos alrededor del cepillo agitador, elimínelos cortando con cuidado el pelo o los residuos con unas tijeras. Evite dañar o cortar las cerdas.

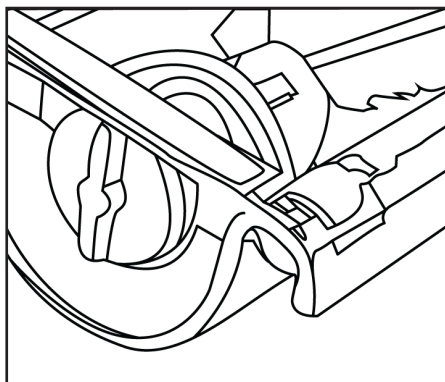
El cabezal motorizado tiene una función de



(Fig. 21)



(Fig. 22)



(Fig. 23)

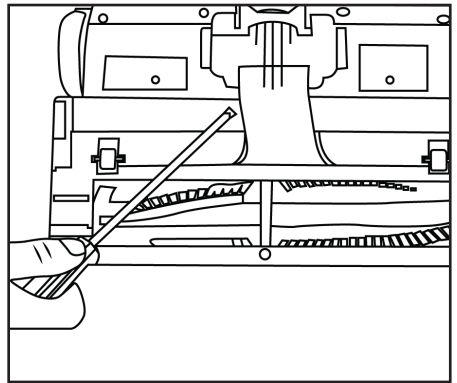
protección de sobrecarga para proteger el motor en el cabezal motorizado. El cabezal motorizado se apagará si está obstruido. Para restablecer el cabezal motorizado una vez que se apagó automáticamente, limpie el cepillo giratorio y luego presione el botón de protección contra sobrecarga para restablecer el cabezal motorizado. (Fig. 24)

Reemplazo del cepillo agitador del cabezal motorizado y la correa de transmisión

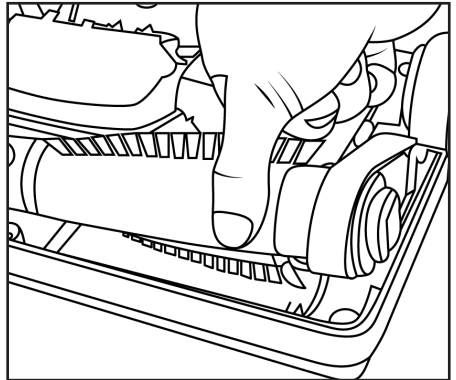
¡IMPORTANTE! Asegúrese de que la aspiradora esté desconectada de la fuente de alimentación y que el cabezal motorizado esté desconectado del tubo antes de realizar cualquier procedimiento de mantenimiento.

Dependiendo de la frecuencia de uso, ocasionalmente será necesario cambiar el cepillo agitador del cabezal motorizado y la correa de transmisión. (Figs. 25 y 26)

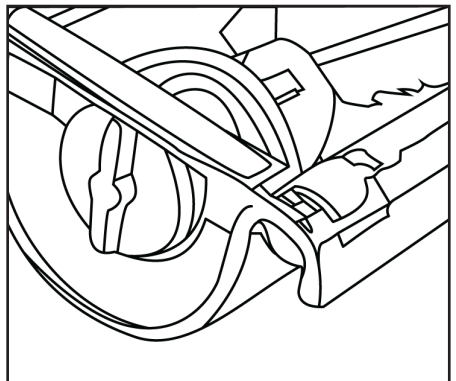
- Desconecte el cabezal motorizado del tubo de aspiración y gírelo. Con un destornillador de cabeza Phillips, desenrosque los ocho tornillos.
- Retire la tapa del cabezal motorizado para acceder al cepillo agitador y la correa.
- Levante el lado del cepillo agitador con la correa conectada y deslice la correa fuera del casquillo. El cepillo agitador ahora se puede quitar para limpiarlo o reemplazarlo.
- Deslice la correa fuera del eje impulsor para quitar la correa. Si la correa está rota, retire todas las piezas rotas. Para reemplazar la correa, primero instale la correa nueva sobre el eje impulsor y luego sobre la tapa del extremo. Asegúrese de que las letras de la correa estén orientadas hacia afuera.
- Vuelva a instalar el cepillo agitador firmemente en su lugar. Luego instale la cubierta del cabezal motorizado y los tornillos.



(Fig. 24)



(Fig. 25)



(Fig. 26)

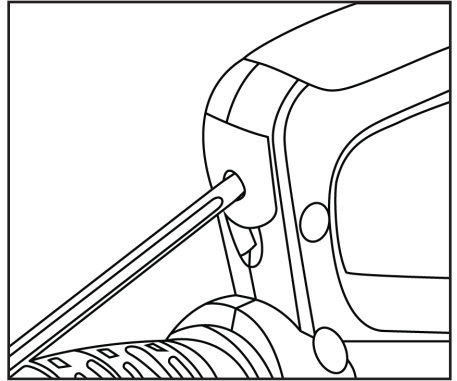
MANTENIMIENTO

Cambio de la batería del control remoto

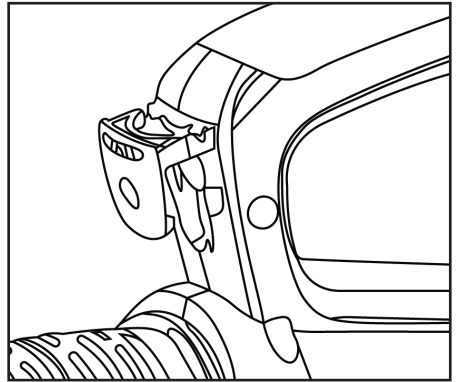
¡IMPORTANTE! Asegúrese de que la aspiradora esté desconectada de la fuente de alimentación antes de realizar cualquier procedimiento de mantenimiento. (Figs. 27 y 28)

- Desenrosque el soporte de la batería con un destornillador. Ahora se puede sacar el portapilas del mango.
- Reemplace la batería y vuelva a insertar la batería en el mango. Asegúrese de que el portapilas esté bien atornillado con un destornillador.

¡IMPORTANTE! - Mantenga la batería fuera del alcance de los niños y asegúrese de que el soporte de la batería esté seguro. Si sospecha que su hijo se ha tragado o insertado una pila de botón, llame inmediatamente al Centro de control de envenenamiento al 1-800-222-1222.



(Fig. 27)



(Fig. 28)

SOLUCIÓN DE PROBLEMAS

Problema	Punto de comprobación	Solución posible
La aspiradora no enciende.	Cable de alimentación	Inserte el enchufe de alimentación firmemente en una toma de corriente
La potencia de succión es débil.	Bolsa Manguera o tubo obstruido	Reemplace si la bolsa está llena. Retire la obstrucción.
La aspiradora hace un sonido anormal cuando está encendida.	Cabezal motorizado Rodillo del cepillo Manguera o tubo obstruido	Apague inmediatamente. Verifique que no haya obstrucciones. Elimine cualquier obstrucción que pueda encontrar. Verifique que el cabezal motorizado esté instalado de forma segura.
El cabezal motorizado no funciona	Botón de encendido/apagado Cepillo agitador Correa	Verifique que el botón de encendido/apagado esté en la posición "ON" (encendido). Reemplazar batería Verifique que la instalación del cabezal motorizado sea correcta. Retire el cepillo giratorio y limpie cualquier objeto grande atrapado alrededor de la barra de rodillos. Verifique que no haya ningún objeto presionando la parte superior del cabezal motorizado. Compruebe a través de la ventana de la correa del cabezal motorizado que la correa del cabezal motorizado no esté rota. Limpie el cepillo giratorio y luego presione el botón de protección contra sobrecarga para restablecer el cabezal motorizado.
Cualquier otro servicio debe ser realizado por un distribuidor autorizado de Simplicity Vacuum. Para localizar a su distribuidor autorizado más cercano, visite nuestro sitio web www.SimplicityVac.com o llame al 888-974-6759.		

PARA UN MEJOR RENDIMIENTO

- Utilice la máquina con bolsa, filtro previo al motor y filtro plisado.
- Mantenga el equipo y todos los accesorios limpios y en buenas condiciones de funcionamiento.
- Reemplace la bolsa cuando esté 2/3 llena. El número de bolsa de reemplazo es SSH-6.
- Revise y reemplace los filtros cada 6 meses o con mayor frecuencia si aspira polvos finos como harina o polvo de paneles de yeso.
- Utilice siempre filtros y piezas originales, ya que el uso de otros productos puede dar lugar a una limpieza o filtración deficiente. Los productos de filtración originales de Simplicity están diseñados para obtener el máximo rendimiento.
- Guarde la máquina en un área interior limpia y seca.
- Para obtener un rendimiento de limpieza y una seguridad óptimos, siga las instrucciones de este manual del propietario.

INFORMACIÓN DE GARANTÍA

Qué está cubierto:

Esta garantía cubre cualquier defecto de material y mano de obra de su nueva aspiradora Simplicity.

Duración de la cobertura:

La cobertura de garantía para esta aspiradora Simplicity dura un año. Los modelos domésticos utilizados comercialmente solo tienen una garantía de 90 días.

Simplicity[®]
VACUUMS



Simplicityvac.com/register-warranty

¿Cuál es la mejor manera de estar cubierto?

Es simple: registre su aspiradora Simplicity hoy y active su garantía.

¿Qué le parece su aspiradora?

Una vez que haya tenido tiempo de probar su nueva aspiradora Simplicity, queremos saber lo que piensa: deje un comentario sobre el producto. Solo le llevará unos minutos y nos ayudará a mejorar nuestros productos... y a que su casa esté más limpia.

Simplicity[®] VACUUMS

888-974-6759
1760 Gilsinn Lane
Fenton, MO 63026