

# RICCAR®

***SupraLite***  
**CORDLESS VACUUM**  
R10CV

Owner's Manual





# CONTENTS

---

## Getting Started

Important Safety Instructions .....	2
Polarization Instructions .....	3
State of California Proposition 65 Warnings .....	3
Description of the Vacuum .....	4
Assembling the Vacuum .....	5

## Operation

Battery Charging .....	6
Battery Life Display .....	6
Reclining the Handle .....	6
On/Off Switch .....	7
Edge Cleaning .....	7
Automatic Carpet Height Adjustment .....	7
Bare Floor Cleaning .....	8
Vacuuming Under Furniture.....	8

## Maintenance and Care

Replacing the Vacuum Bag .....	9
Removing and Reinstalling the Battery .....	10
Removing and Reinstalling the Bottom Plate .....	11
Replacing the Vacuum Belt .....	12
Replacing the Squeegee .....	13
Annual Checkup .....	13

## Problem Solving Guide

Troubleshooting .....	14
Visit Riccar Vacuums Online .....	14
How to Contact Your Authorized Retailer .....	14
Key Replacement Parts .....	14
For Best Performance .....	14

<b>Warranty</b> .....	<b>15</b>
-----------------------	-----------

# IMPORTANT SAFETY INSTRUCTIONS

When using an electrical appliance, basic precautions should always be followed, including the following:

## READ ALL INSTRUCTIONS BEFORE USING THIS APPLIANCE. FOR HOUSEHOLD USE ONLY.

**IMPORTANT:** The manufacturer cannot accept responsibility for damage caused when the appliance is not used according to the instructions, or for uses other than those for which it was intended.

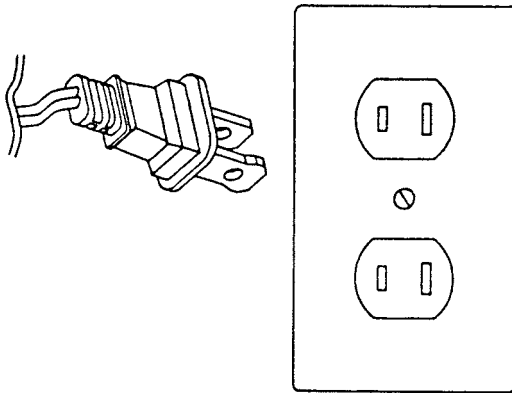
**WARNING:** To reduce the risk of fire, electric shock, damage or injury:

- Fully assemble vacuum before operating.
- Use and store in a dry location.
- Do not use outdoors or on wet surfaces.
- Do not allow to be used as a toy. Close attention is necessary when used by or near children.
- Use only as described in this manual.
- Do not use charger with damaged cord or plug. If appliance or charger is not working as it should, has been dropped, damaged, left outdoors, or dropped into water, return it to your Authorized Riccar Retailer for service.
- Do not pull or carry charger by cord, use cord as a handle, close a door on the cord, or pull cord around sharp edges or corners. Do not run appliance over cord. Keep cord away from heated surfaces.
- Do not unplug charger by pulling on cord. To unplug charger, grasp the plug, not the cord.
- Do not handle charger, including charger plug, and charger terminals with wet hands.
- Do not put any object into openings. Do not use with any opening blocked; keep free of dust, lint, hair and anything that may reduce air flow.
- Keep hair, loose clothing, fingers and all parts of the body away from openings and moving parts.
- Do not pick up anything that is burning or smoking, such as cigarettes, matches or hot ashes.
- Do not use without vacuum bag in place.
- Use extra care when cleaning on stairs.
- Do not use to pick up flammable or combustible liquids such as gasoline or use in areas where they may be present.
- Do not attempt to service the unit while charger is plugged in.
- Do not charge the unit outdoors.
- Only charge in temperatures between 0-45°C (32-113°F).
- Do not open, crush, expose to heat above 100°C (212°F) or incinerate the battery even if it is severely damaged. The battery can explode in a fire.
- Do not use with a damaged battery or charger. If the appliance is not working as it should, has been dropped, damaged, left outdoors, or dropped into water, return it to your Authorized Riccar Retailer.
- Use only with the Cordless Battery Vacuum Charger supplied - P/N 10201026 Winkind. (C223-2000)
- The battery and charger have no user serviceable parts.
- Batteries must be disposed of responsibly. Contact your Authorized Riccar Retailer for information on battery disposal.
- Remove the battery before removing the bottom plate.

**SAVE THESE INSTRUCTIONS.**

## Power Cord, 2-Wire Polarized Cord

To reduce the risk of electric shock, the charger is equipped with a polarized alternating current line plug (a plug having one blade wider than the other). This plug will fit into the power outlet only one way. This is a safety feature. If you are unable to insert the plug fully into the outlet, try reversing the plug. If the plug should still fail to fit, contact a qualified electrician to replace the obsolete outlet. Do not defeat the safety purpose of the polarized plug.

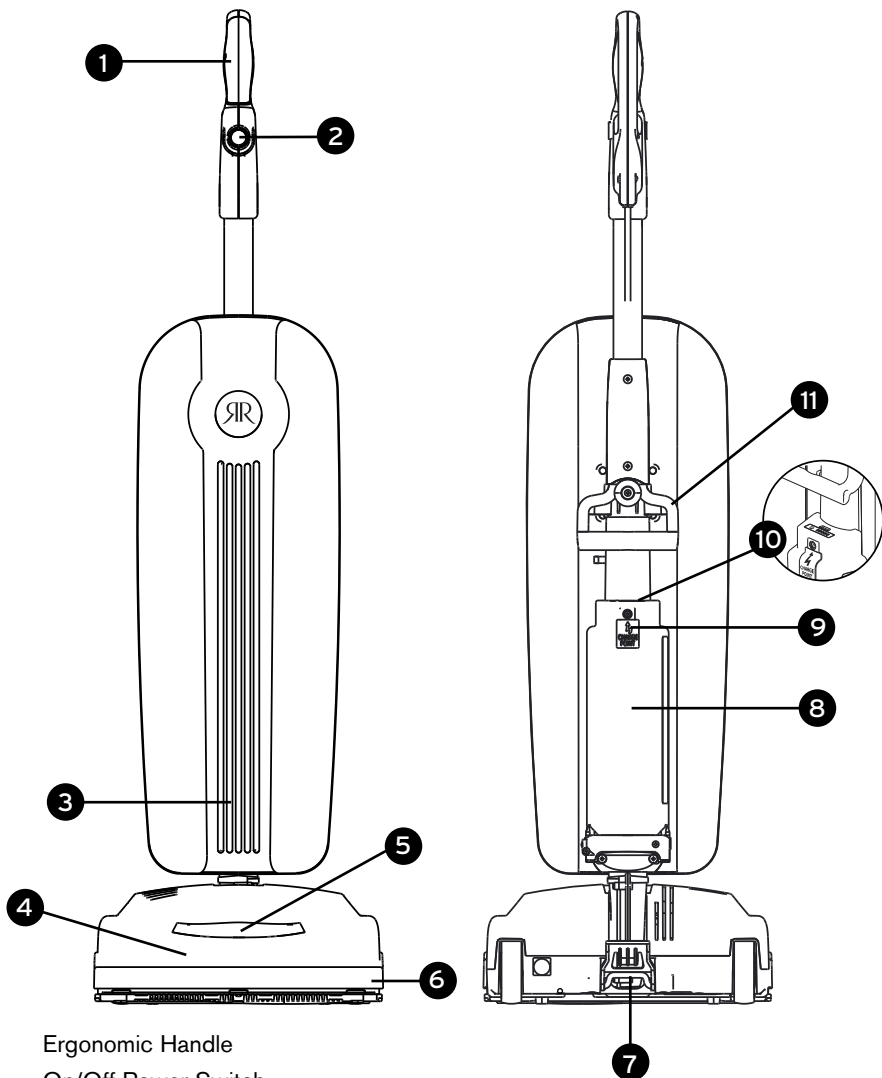


## State of California Proposition 65 Warnings:

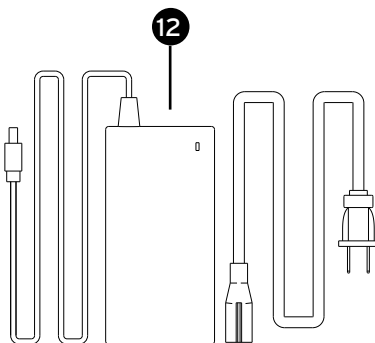
**WARNING:** This product contains one or more chemicals known to the State of California to cause cancer.

**WARNING:** This product contains one or more chemicals known to the State of California to cause birth defects or other reproductive harm.

# DESCRIPTION OF THE VACUUM



- 1 Ergonomic Handle
- 2 On/Off Power Switch
- 3 Bag Compartment
- 4 Vacuum Nozzle
- 5 Headlight
- 6 Furniture Guard
- 7 Handle Release Pedal
- 8 Battery Pack
- 9 Charge Point
- 10 Battery Life Display
- 11 Carry Handle
- 12 Charger



# ASSEMBLING THE VACUUM

## Attaching the Handle to the Vacuum

**NOTE:** Do not turn on the vacuum until it is completely assembled.

The vacuum cleaner and the handle are packed separately and require assembly.

- Remove the handle bracket by removing the two screws (Fig. 1).
- Place handle onto the back of the vacuum, aligning holes with pegs (Fig. 2).
- Place the handle bracket back into position (Fig. 3).
- Secure with two screws removed in Fig 1. Tuck the cord into the space to the left of the handle.
- Open the bag compartment to ensure a vacuum bag is in place.
- Your vacuum is now ready for use.

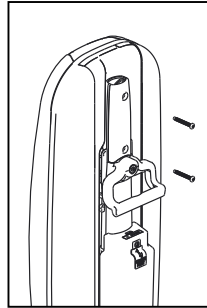


Fig. 1

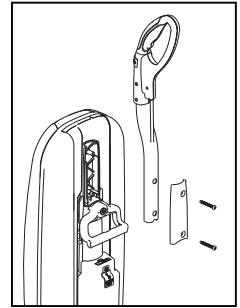


Fig. 2

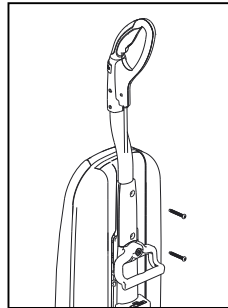


Fig. 3

## Charging Battery

The battery is partially charged and will run for a short time. To fully charge the battery see Battery Charging (page 6).

# OPERATION

This vacuum is intended for household use only.

## Battery Charging

- The battery is located on the back of the vacuum.
- Plug the AC cable into the charger and into a wall socket (Fig. 1).
- Plug the charger DC cable into the Charge Point on the battery. (Fig. 2).
- The Charger LED light will be red during charging and will turn green when the battery pack is fully charged.

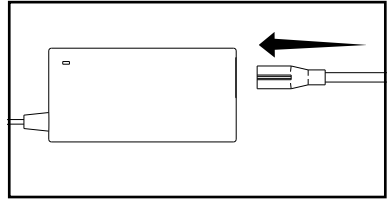


Fig. 1

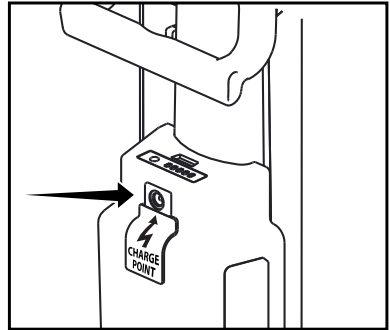


Fig. 2

## Battery Life Display

- Press the button on the battery to illuminate the LED lights.
- When the battery is fully charged there will be four (4) green lights and one (1) red light showing (Fig. 3).
- As the battery is discharged during use the number of green lights showing will reduce from four (4) to none (0).
- When all of the green lights are off and only the red light is showing there is a small amount of time remaining before the battery will be fully discharged and will require recharging.

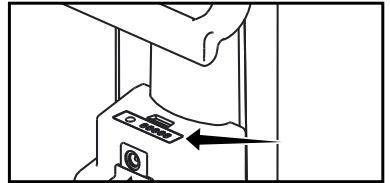


Fig. 3

## Reclining the Handle

- Press the Handle Release Pedal located on the back of the vacuum with your foot to recline the handle (Fig. 4).

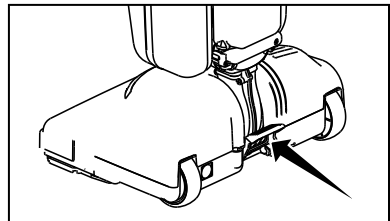


Fig. 4



## On/Off Switch

- Turn the switch On to use the vacuum. If the vacuum doesn't turn on, check that the battery is charged (see page 6).
- Always unplug the charger from the Charge Point before use.

## Edge Cleaning

The edge cleaning feature provides improved cleaning near walls and stationary furniture. For maximum edge cleaning, place the left side of the nozzle, from the user's perspective, against the wall or stationary furniture (Fig 2).

## Automatic Carpet Height Adjustment

Your vacuum is designed with an automatic self-adjusting nozzle. No manual adjustments are required. The height of the nozzle automatically adjusts to the flooring surface. This self-adjusting feature allows the nozzle to float evenly over all flooring surfaces.

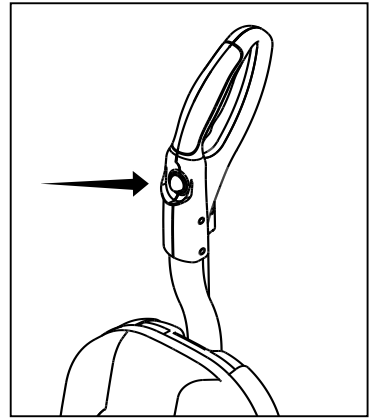


Fig. 1

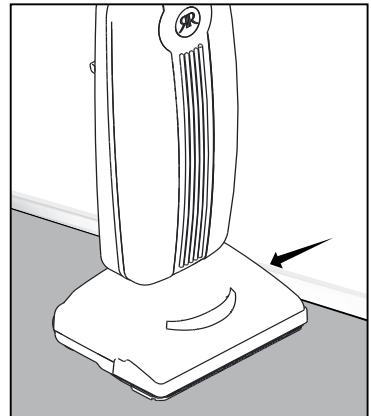


Fig. 2

# OPERATION

---

## Bare Floor Cleaning

Your vacuum is equipped with a squeegee on the bottom of the vacuum to improve its effectiveness in cleaning bare floors (Fig. 1).

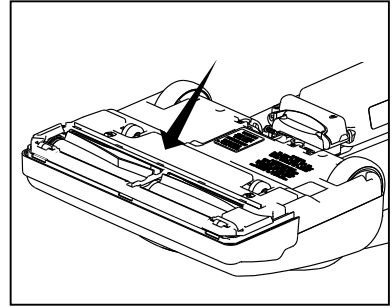


Fig. 1

## Vacuuming Under Furniture

Your vacuum will lay flat on the floor for effective cleaning under beds and tables.

- Press the Handle Release Pedal once for normal vacuum cleaning (Fig. 2).
- Continue to lower the handle to enable the vacuum to lay flat on the floor (Fig. 3).

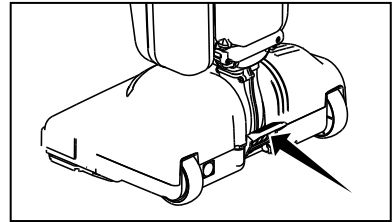


Fig. 2

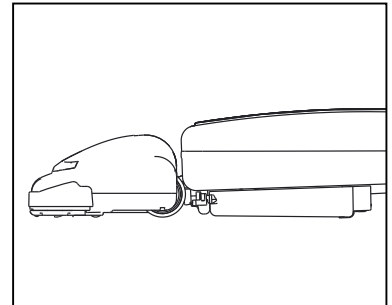


Fig. 3

## Replacing the Vacuum Bag

**NOTE:** Turn the vacuum off and unplug the charger from the Charge Point before changing the bag.

- Unzip the bag compartment.
- Remove the used vacuum bag by pulling the green bag collar tab away from the vacuum (Fig. 1). Slide the used bag out of the bag holder which automatically seals the bag opening (Fig. 2). Discard the used bag.
- To install a new bag, slide the bottom of the green bag collar into the bag holder until it “snaps” into place (Fig. 3).
- Push the top of the bag collar upward until the collar “snaps” into place on the vacuum (Fig. 4).
- Tuck the bag corners into the bag compartment then zip the bag compartment closed.

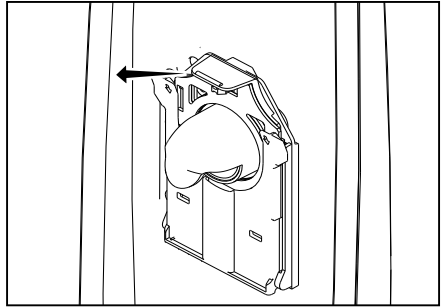


Fig. 1

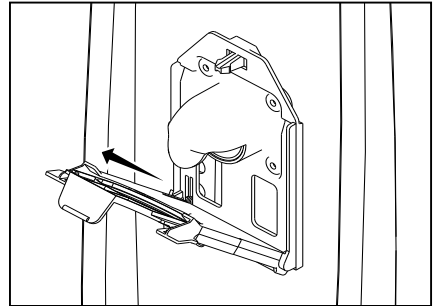


Fig. 2

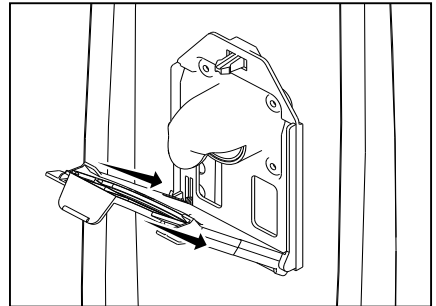


Fig. 3

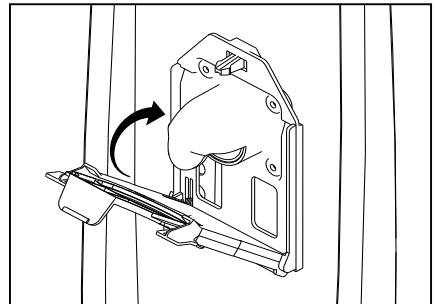


Fig. 4

# MAINTENANCE AND CARE

---

## Removing and Reinstalling the Battery

**NOTE:** Turn the vacuum Off and unplug the charger from the Charge Point before removing the battery.

- Remove the vacuum bag (see Replacing the Vacuum Bag, page 9).
- Remove the bag mount screws, then remove the bag mount (Fig. 1).
- Remove the bag compartment.
- Remove the battery clamp screws and lift the battery off its connectors (Fig. 2).
- To replace the battery reverse the above steps.

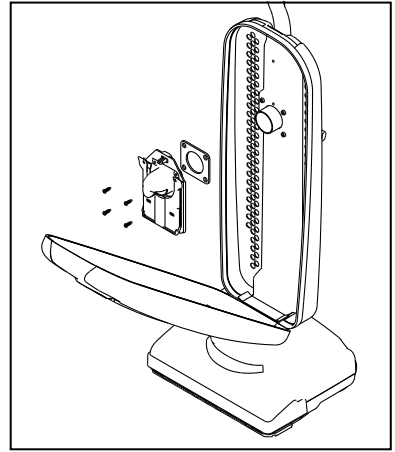


Fig. 1

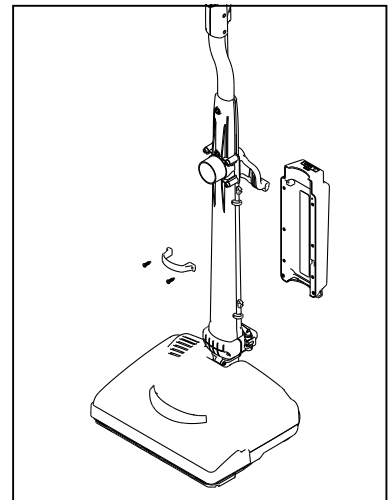


Fig. 2

## Removing and Reinstalling the Bottom Plate

**WARNING!** To Reduce the Risk of Electrical Shock or Injury from Moving Parts, Turn the Vacuum Off and Unplug the Charger from the Charge Point Before Servicing or Cleaning the Vacuum.

### To Remove the Bottom Plate:

- Make sure the vacuum is turned Off.
- Remove the battery (see Removing and Reinstalling the Battery, page 10).
- Press the handle release pedal to place the vacuum cleaner in the flat position.
- Turn the vacuum cleaner over, exposing the bottom plate.
- Turn the two screws a quarter turn to release the bottom plate (Fig. 1). Remove the bottom plate.
- To reinstall the bottom plate: Align the front edge of the bottom plate into the notches inside the nozzle (Fig. 2).
- Press the bottom plate into position until the plate “clicks” on both sides. Tighten the two screws a quarter turn to secure the bottom plate.
- Replace the Battery (see see Removing and Reinstalling the Battery, page 10).

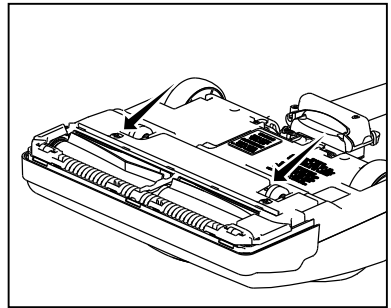


Fig. 1

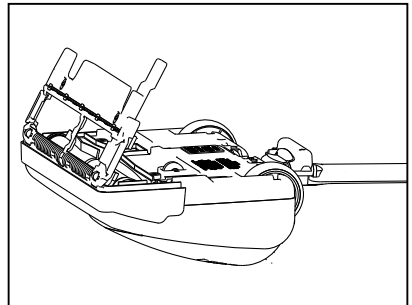


Fig. 2

# MAINTENANCE AND CARE

---

## Replacing the Vacuum Belt

**WARNING!** To Reduce the Risk of Electrical Shock or Injury from Moving Parts, Turn the Vacuum Off and Unplug the Charger from the Charge Point Before Servicing or Cleaning the Vacuum.

**NOTE:** To ensure maximum cleaning efficiency, the belt should be checked regularly to be sure it is in good condition. Check to see if the belt is stretched, cracked, or if excessive slipping is occurring. Replace if needed.

- Turn the vacuum off and unplug the charger from the Charge Point before changing the belt.
- Remove the battery (see Removing and Reinstalling the Battery, page 10).
- Remove the bottom plate (see Removing and Reinstalling the Bottom Plate, page 11).
- Remove the brushroll and the worn or broken belt from the brushroll pulley and the motor drive shaft.
- Loop the new belt around the motor drive shaft and the brushroll (Fig. 1).
- Reinstall the brushroll into the nozzle. Turn the brushroll by hand, making sure the belt is not twisted and all rotating parts move smoothly (Fig. 2).
- Reinstall the bottom plate (see Removing and Reinstalling the Bottom Plate, page 11).
- Replace the battery (see Removing and Reinstalling the Battery, page 10).

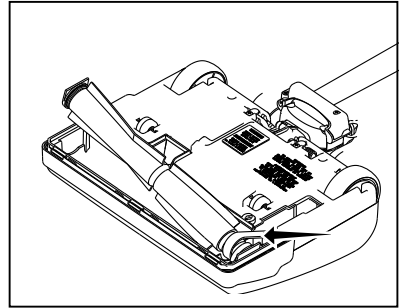


Fig. 1

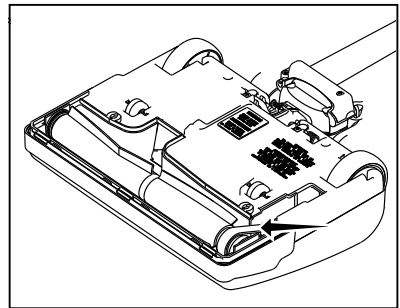
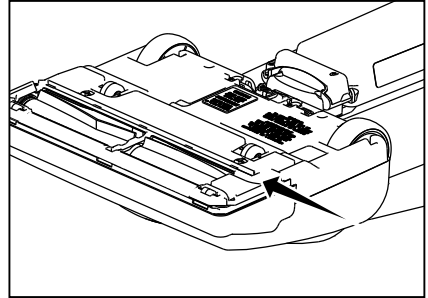


Fig. 2

## Replacing the Squeegee

**WARNING!** To Reduce the Risk of Electrical Shock or Injury from Moving Parts, Turn the Vacuum Off and Unplug the Charger from the Charge Point Before Servicing or Cleaning the Vacuum.

If your squeegee splits or begins to look worn, simply slide the worn squeegee from its track and slide a new one into the track. If you have trouble installing the new squeegee, please visit an Authorized Riccar Retailer for help.



## Annual Checkup

To keep your vacuum in peak operating condition, it is recommended you bring it to an Authorized Riccar Retailer for an annual checkup. The retailer will conduct a comprehensive examination to ensure your vacuum is in top operating condition.

# PROBLEM SOLVING GUIDE

---

## Troubleshooting

**WARNING!** To Reduce the Risk of Electrical Shock or Injury From Moving Parts, Unplug the Charger from the Charge Port and remove the Battery Before Servicing or Cleaning the Vacuum.

**CAUTION!** To Reduce the Risk of Electric Shock, Do Not Handle Charger Plug or Appliance with Wet Hands.

PROBLEM	POSSIBLE REASON	POSSIBLE SOLUTION
Vacuum won't turn on	<ul style="list-style-type: none"><li>• Battery is fully discharged</li><li>• Needs service</li></ul>	<ul style="list-style-type: none"><li>• Charge battery (page 6)</li><li>• Take to Authorized Riccar Retailer</li></ul>
Vacuum won't pick up or low suction	<ul style="list-style-type: none"><li>• Vacuum bag full</li><li>• Broken belt</li><li>• Worn brushroll</li></ul>	<ul style="list-style-type: none"><li>• Install new bag (page 9)</li><li>• Replace belt (page 12)</li><li>• Replace brushroll (page 12)</li></ul>
Dust escaping from vacuum	<ul style="list-style-type: none"><li>• Vacuum bag not installed properly</li></ul>	<ul style="list-style-type: none"><li>• Install bag properly. Review bag installation (page 9)</li></ul>

**Any other service should be performed by an Authorized Riccar Retailer.  
To locate your nearest Authorized Riccar Retailer visit our website  
at [www.Riccar.com](http://www.Riccar.com) or call 888.6.RICCAR.**

## Key Replacement Parts

- Genuine HEPA Media Vacuum Bags: **RLH-6**
- Genuine Vacuum Belts: **R10B-2**

## For Best Performance

- Keep your vacuum clean and in good operating condition.
- Change the vacuum bag once a month or when the bag is 2/3 full to maximize cleaning performance.
- Always use genuine vacuum bags and replacement parts. Use of other products may result in poor cleaning performance, potential vacuum cleaner damage and may void vacuum warranty. Genuine products are designed for maximum cleaning performance.
- Have your vacuum checked annually by your Authorized Riccar Retailer.
- Store your vacuum carefully in a dry area.
- For optimum cleaning performance and safety, follow your owner's manual instructions.



**What is Covered:**

This warranty covers any defects in material and workmanship in your new Riccar vacuum and applies exclusively to the original purchaser.

**How Long Coverage Lasts:**

Warranty coverage for R10CV lasts four years EXCEPT for the battery which has a warranty that lasts two years.

**What is Not Covered:**

- Damage to the vacuum which occurs from neglect, abuse, alterations, accident, misuse or improper maintenance.
- Normal replacement items: disposable bags and belts.

**What We Will Do:**

This warranty provides, at no cost to you, all labor and parts to keep this vacuum in correct operating condition during the warranted period.

**How to Get Service:**

Warranty service can only be obtained by presenting the vacuum to an Authorized Riccar Retailer. A proof-of-purchase and product serial number will be required before service is rendered. To locate your nearest service center, please call 1-888-6-RICCAR or visit [www.Riccar.com](http://www.Riccar.com).

THIS WARRANTY IS EXCLUSIVE AND IN LIEU OF ANY AND ALL OTHER WARRANTIES WHETHER WRITTEN, ORAL, EXPRESSED OR IMPLIED, (INCLUDING ANY WARRANTY OF MERCHANTABILITY OR FITNESS FOR A PARTICULAR PURPOSE). THIS WARRANTY DISCLAIMS LIABILITY FOR INCIDENTAL, OR CONSEQUENTIAL DAMAGES.

**How State Law Applies:**

This warranty gives you specific legal rights, and you may also have other rights which vary from state to state.

Register your warranty online at **[www.Riccar.com](http://www.Riccar.com)**

# **OWNER'S WARRANTY INFORMATION**

---

*keep this for your records...*

Date of purchase \_\_\_\_\_

Serial number \_\_\_\_\_

Model number \_\_\_\_\_

**Purchased from:**

Store name \_\_\_\_\_

Address \_\_\_\_\_

City, State, Zip \_\_\_\_\_

Telephone \_\_\_\_\_



RICCAR®  
[www.Riccar.com](http://www.Riccar.com)