

I2000 Installation Manual



Thank you for purchasing an Intrasonic Technology product. Our products are built to provide you with years of high quality sound.

If you need assistance with the installation or operation of this product please contact our Customer Support team at 1-877-435-0670. You may also get information on this and other Intrasonic Technology products on our web site at:

www.intrasonictechnology.com



Table of Contents

Page 1.....Cover page

Page 2.....Table of contents

Page 3.....Safety instructions

Page 4.....Running Wire throughout

Page 5.....External Speaker wiring

Page 6.....Roughing in for the I2000H for the master Unit

Page 7.....Roughing in for the Rooms, Patios, Doors, and Volume Controls

Page 8.....Crimping the wires

Page 9.....Door and gate locking mechanism Hook up

Page 10.....Wiring for an external amplifier

Page 11.....Wiring for an external door chime

Page 12.....Warranty



ATTENTION

Safety Instructions

- Please read all instructions in its entirety before installing the I2000 system.
- To reduce risk of electrical shock, the I2000 system must be installed by a qualified installer or dealer.
- Do not attempt to remove or repair the I2000 system. Call a qualified installer or dealer.
- Do not expose any of the I2000 system to water.
- Do not install room, patio, or door within 10 feet of each other or back to back in the same wall cavity, or on walls facing each other.
- Do not mix the I2000 system with any other system. The I2000 is only compatible with other I2000 products.
- Do not use staple cables or use wire splices
- Use a dedicated 110V line to the master.
- Do not install near light switches or near dimmer controls.
- Do not install near Air conditioning ducts and metal plates for they may damage cables.
- Do not exceed over 300 feet for each run of wire from the master to a room, patio, or door station.
- Do not daisy chain any part of the system. All of the stations need to run back to the master.
- Do not install near any heat sources.
- Label all wires running back to the master.
- Only one Auxiliary input can be installed for the I2000 System.

Wiring

I2000M

Run a dedicated 110V line from the circuit breaker to where the I2000M master unit will be mounted.

Important Information

- ! Not having a dedicated line could cause popping, humming, or buzzing.

I2000R, I2000P, I2000D, I2000VC, AUXWP

Run Cat5 wire from where each room, patio, door, volume control, or auxiliary unit will be mounted back to where the master will be mounted.

Important Information

- ! Maximum of 20 units, room, patio, door, and volume control. Any combination.
- ! The maximum length of cable run is 300 feet per room, patio, door, volume control, and auxiliary.
- ! Only one AUXWP per I2000M unit.
- ! AUXWP should be located where you would like to use an external source.
- ! Label all wires for what is a room, patio, door, auxiliary, and where they are located.
- ! Do extra labeling if you want to name and number what unit is what. (Example: Master bedroom, kid bedroom, garage, kitchen, ext....)
- ! For each end of the Cat5 wiring make sure there is sufficient slack for any wiring issues that may arise.

AM/FM Antenna

The FM antenna wire is the long black wire with a coaxial end that splits into a red and black wire. The coaxial end will stay where the master unit will be mounted with sufficient slack. The two red and black wires will run to the attic (or the highest point of the house) and split apart as far as possible and nail to the studs in the attic for best reception.

The AM antenna wire is the black wire that has an antenna mount attached to it. The round metal piece will hook up to the coaxial piece on the master before the FM antenna is connected and the 2 wires coming off of it will clip into the black clips on the back of the master right next to the coaxial end. The antenna mount will run up to the attic.

Important Information

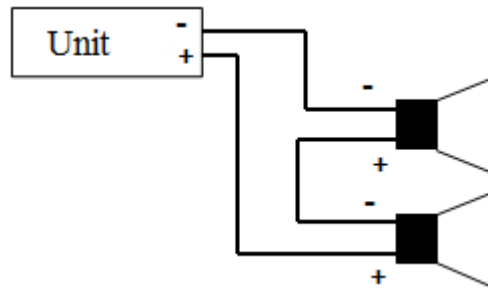
- ! To limit interference with the radio reception, keep the antenna wires away from other power wires and sources.



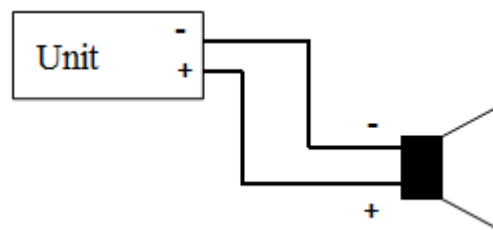
External Speaker

Run 16 gauge speaker wires from the master, room, or patio unit that will have the external speaker hooked up, to where you will have the external speaker mounted. If you are hooking up two speakers to one unit, you will run the wires in series from the unit to the two locations where your external speakers will be mounted. Make sure to leave a service loop of at least 10 inches of cable at both ends. Below is the diagram.

Running two speakers in series



Running single speaker



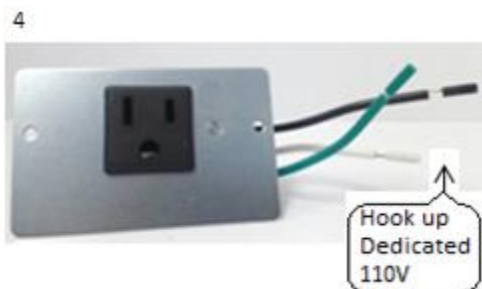
Important Information

- ! The I2000M system is designed to be used with most 8 ohm speakers.
- ! There could be a loss of speaker volume when used with higher wattage or low efficiency speakers.
- ! The use of speakers rated less than 8 ohms could result in system damage.

Roughing in

I2000M

The I2000M master unit uses the I2000H housing unit for installation. The I2000H housing unit will install between the wall studs before the drywall is installed. The install dimensions of the I2000H housing unit is 14½ X 5¾ X 3¼. Make sure the electrical box is on the bottom as you install the I2000H housing unit. Typically the I2000H will install 50 inches off the floor. Screw in the I2000H housing unit into the studs making sure the I2000H housing unit is level. Install the electrical outlet box into the slot on the master and hook up the dedicated 110V line to the wires provided on the electrical outlet box.



I2000R, I2000P, I2000D

Room, patio, and door units use a standard depth plastic 2-gang box. Typically these units will install 50" in off the floor. The suggested manufacturer brand of the 2-gang box is Carlon, model B232 series and BH 235 series. Cut a hole in the sheet rock to mount the 2-gang boxes for the room, patio, and door units. Before you mount the 2-gang box feed the Cat5 wiring through the 2-gang box and then mount the 2-gang box. The suggested mounting for these units is 50 inches from the floor.

Important Information

- ! There are recess and surface mount boxes available for the patio (I2000P), and door (I2000D) stations.
- IPSMB – Patio surface mount box for I2000P
 - IPRSB – Patio recessed box for I2000P
 - IDSMB – Door surface mount box for I2000D
 - IDRSB – Door recessed box for I2000D

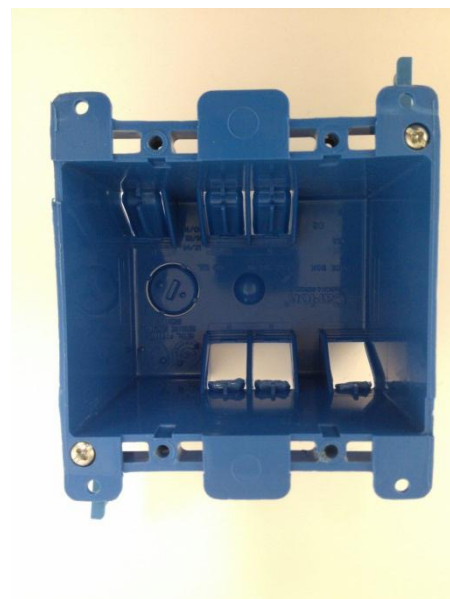
I2000VC, AUXWP

Volume control and auxiliary units use a standard single gang box, the same style as the 2-gang box. Cut a hole in the sheet rock to mount the single gang box for the volume control and auxiliary units. Before you mount the single gang box feed the Cat5 wiring through the single gang box and then mount the single gang box.

Single Gang Box



Double Gang Box



Crimping RJ45

RJ45

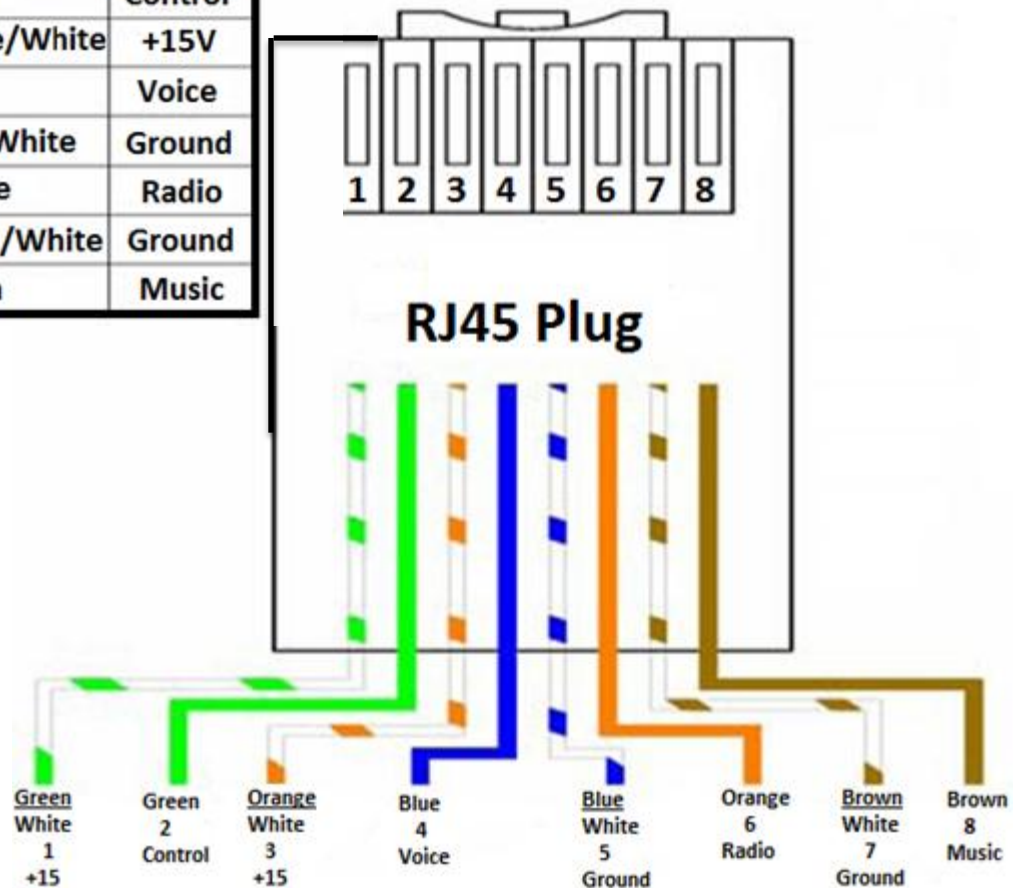
Follow the color code diagram below and crimp the RJ45 connector on both ends the exact same way. Test each cable for shorts and opens using an RJ45 tester. The RJ45 tester is not 100% accurate and there is another way of testing once all the units are installed.

Important Information

- Check Trouble shooting tips if the system does not test properly
- Call Technical Support if you run into any issues 877-435-067

Plug/Jack - RJ45 - 568A

Pins	Color	Signal
1	Green/White	+15V
2	Green	Control
3	Orange/White	+15V
4	Blue	Voice
5	Blue/White	Ground
6	Orange	Radio
7	Brown/White	Ground
8	Brown	Music



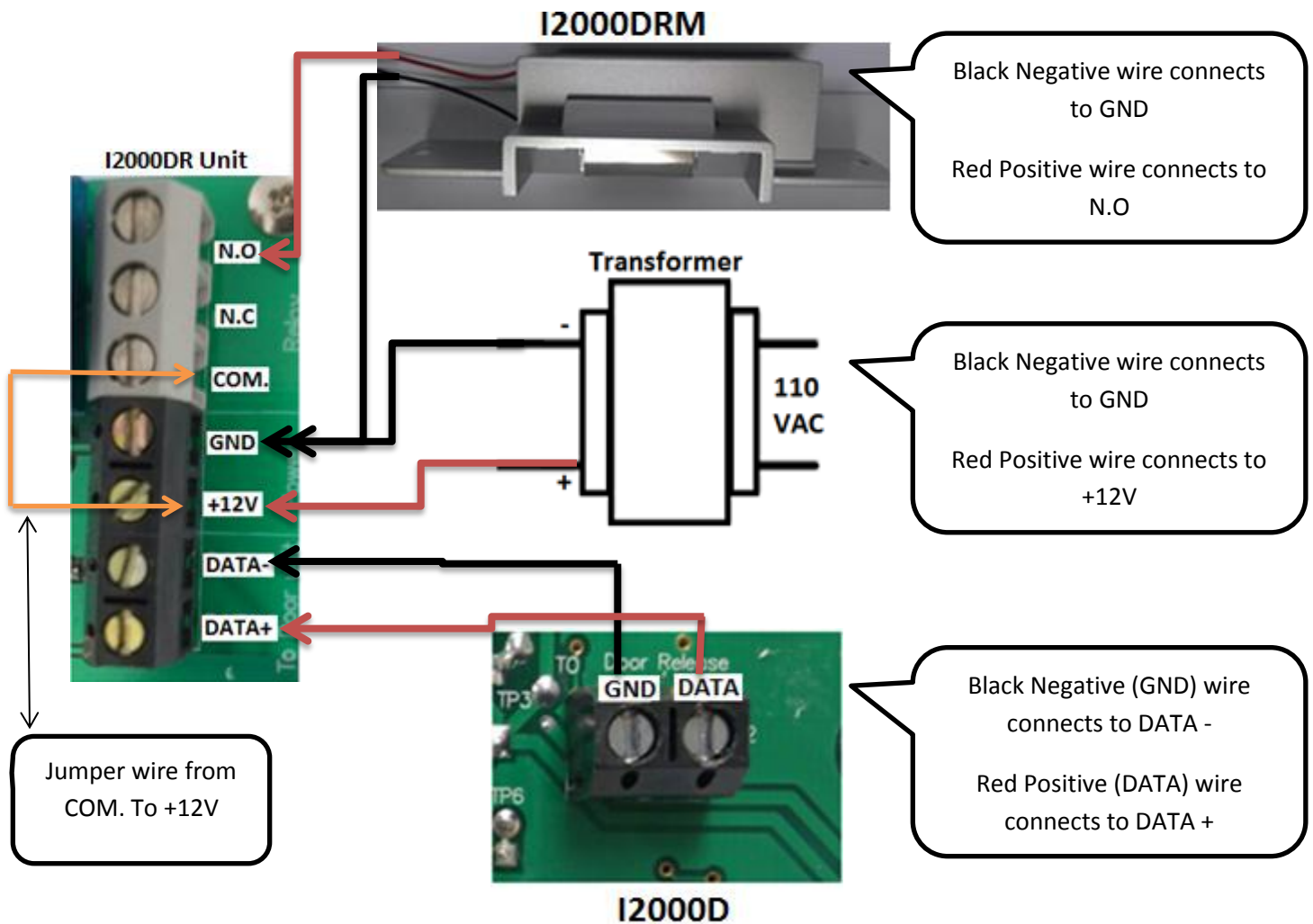
Door or Gate Release

I2000DR

The door release unit, I2000DR, should be located close to each door or gate to be controlled. The unit can be mounted in a closet or somewhere out of sight close to each door or gate. Mounting is accomplished with a deep single gang box. Run standard 16 gauge 2 conductor cable from a 12 volt AC or DC source to the door release unit. Run another 16 gauge 2 conductor cable from the door release unit to the door speaker. Be sure to leave a service loop of approximately 10 inches on both ends.

I2000DRM

Run a third 16 gauge 2 conductor cables from the door release unit to the door strike unit, I2000DRM, Door Release Mechanism.



Wiring for External Amplifier

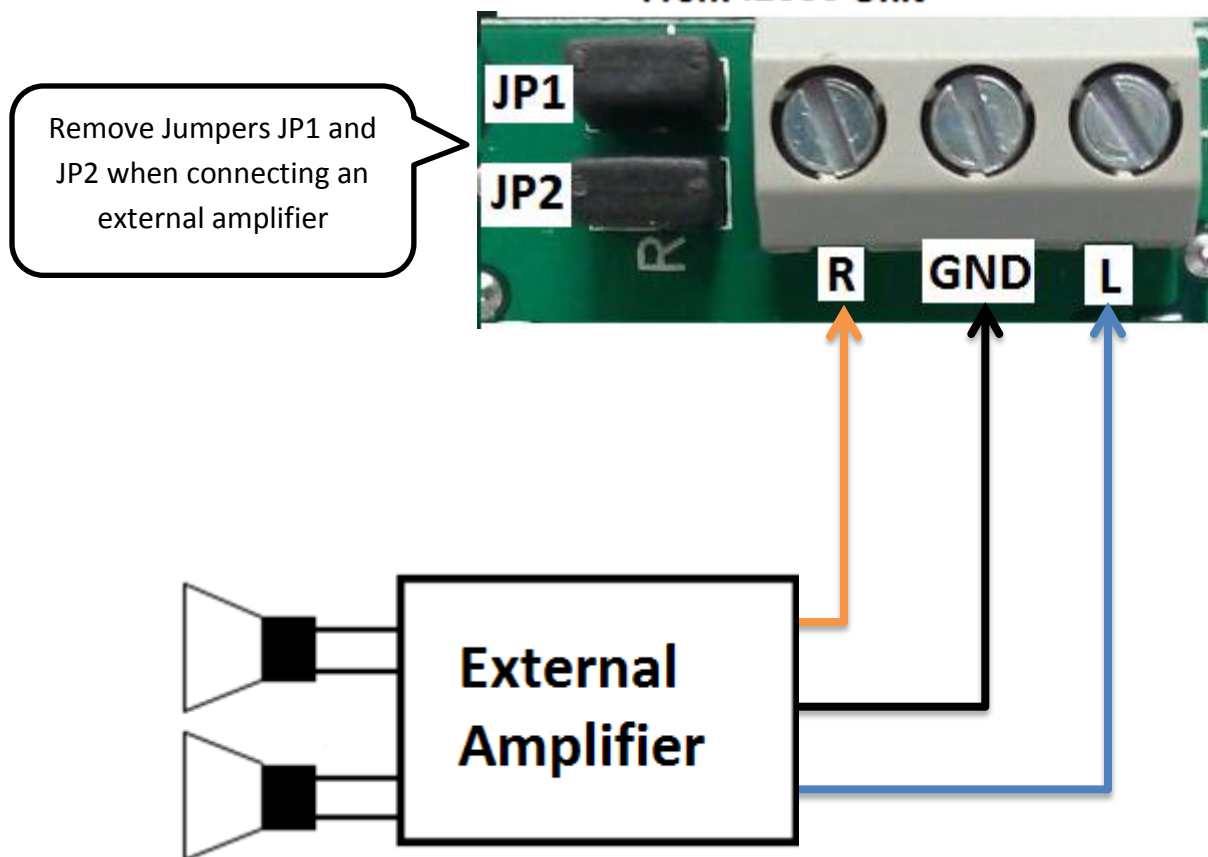
I2000M, I2000R, I2000P

The I2000M master unit, I2000R room unit, and I2000P unit can have an external amplifier hooked up to it. When you hook up an external amplifier you will be able to get stereo sound from the local input only, and only if what is hooked up has stereo capabilities.

Important Information

- Must use a self-powered external stereo amplifier
- Amplifier must support 8ohm speakers
- Do not use a home theater amplifier
- The I2000 system radio will not be stereo
- Stereo option is only available for the local input at the location the external amplifier is hooked up to.

External Amplifier Hook Up From I2000 Unit



Optional

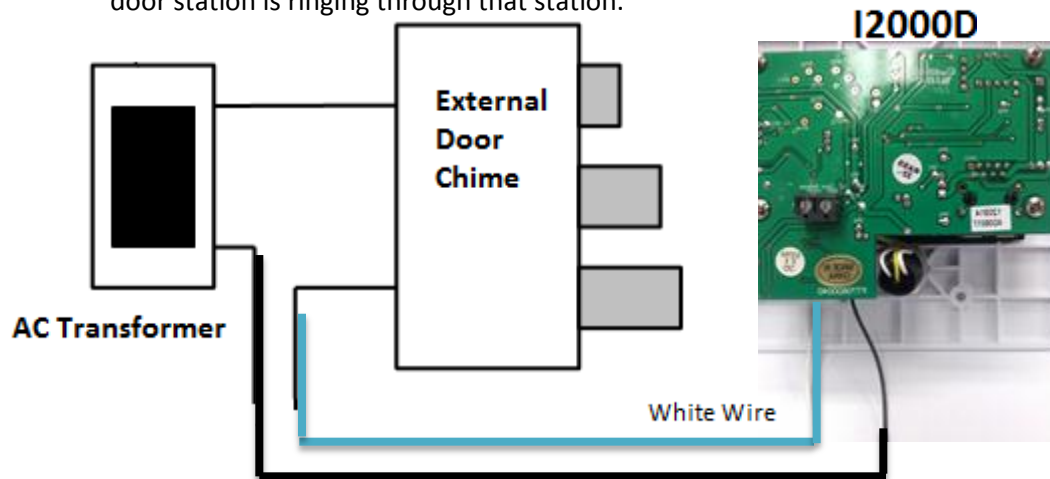
Wiring for External Door Chime

I2000D Door Unit

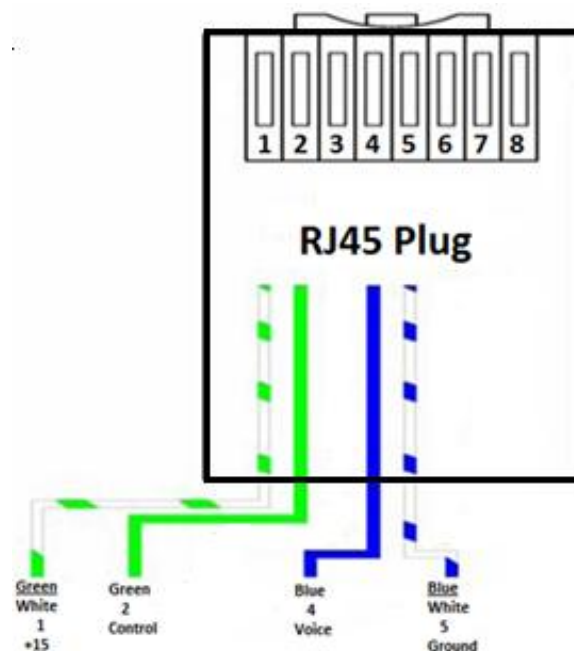
To use an external door chime you will need an AC transformer to power the external door chime, 24VAC max. Please review the diagram for hooking this up properly.

Important Information

- To only hear the optional door chime, simply turn the system volume down at each station while the door station is ringing through that station.



Wiring A I2000D with only 4 wires





Intrasonic Technology 2 Year Limited Warranty

Intrasonic Technology warrants its products to be free of manufacturing defects for two years from the date of closing or actual installation. This warranty only applies to products purchased from authorized dealers and distributors. If proof of installation cannot be supplied, the manufacturing date code may be substituted. This warranty extends to the original user or subsequent owner of the product during the warranty term. Intrasonic Technology will replace or repair the product at its option at no charge with a rebuilt or new product. All products with manufacturing defects must be returned to Intrasonic Technology.

If an Intrasonic Technology product is determined to have a defect, please call our toll free number (877-435-0670) before any attempt to dismantle or repair the product. Any attempt to dismantle or repair the product will void the warranty.

An RMA (Return Material Authorization) will be required prior to returning a product to Intrasonic Technology. To obtain an RMA number, call our toll free number (877-435-0670) and speak with a customer service representative. All products returned without an RMA number will be refused.

The limited warranty is in lieu of any other warranty, expressed or implied and any other obligations or liability on the seller's part. The limited warranty does not cover service calls, damage caused by improper installation, acts of God, or violation of building or electrical codes.

Intrasonic Technology will not be liable for consequential, incidental or other damage arising in connection with use or inability to use this product. In no event shall Intrasonic Technology's liability hereunder exceed the cost of the product covered hereby. No person is authorized to assume for Intrasonic Technology or obligate Intrasonic Technology for any other liability in connection with the sale of this product. Some states do not allow exclusion or limitation of consequential, incidental damage, so the above limitation or exclusion may not apply. This limited warranty gives you specific legal rights, and you may also have other rights, which may vary from state to state.