

ElectraValve®



The ideal direct connect valve for retrofits!

This unique patented valve eliminates the need for extra plugs and extension cords to drive a power beater brush. Designed for ease of installation, the ElectraValve allows the vacuum installer and electrician to work independently, thereby not interrupting trades schedules.

Moulded wire and plug (Available in 12 or 14 gauge)

- Avoids the electrician from having to come back after a drywall is finished to connect the valve to the high volt pigtail

Added safety

- No bare, potentially live wires at valve during installation

Rear entry plug

- Provides secure power outlet

Takes only a few seconds longer to install than a non-electrified valve

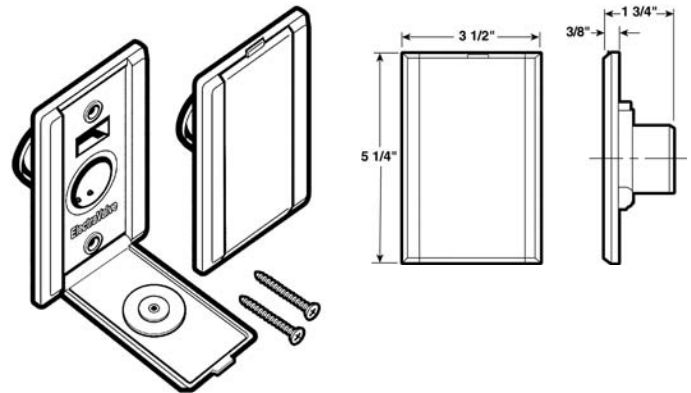
- Lowest direct connect valve installation cost

No separate electrical connection involved in installing the hose cuff

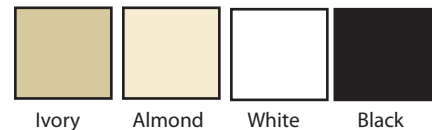
- You can just plug the hose cuff into the wall

Can be painted – ABS

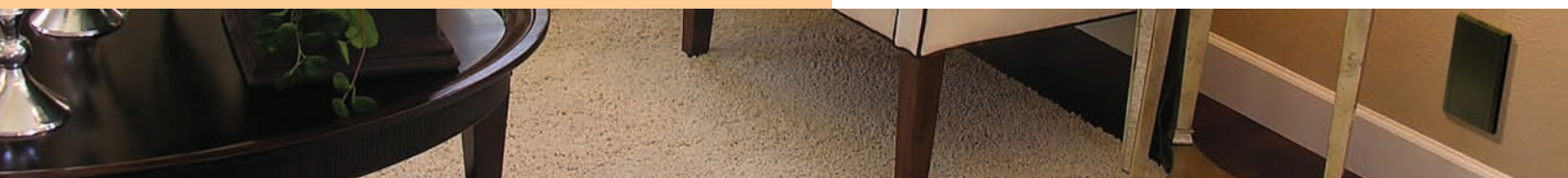
Approved by NEC, CEC, CSA, and UL recognized



Available Colours



Part Number	Colour	Ctn. Qty.	Ctn/Skid
775595V3	Ivory	32	72
775595V3A	Almond	32	72
775595V3W	White	32	72
775595V3BLK	Black	32	72



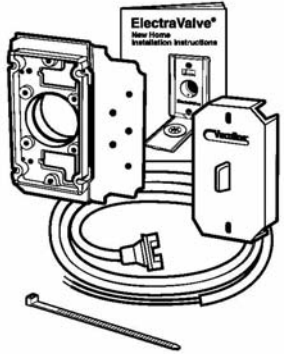
ElectraValve® Accessories

ElectraValve® Low Profile Rough-in Kit (Includes Plaster Guard)

Includes:

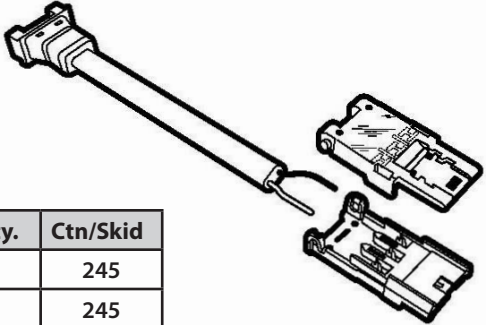
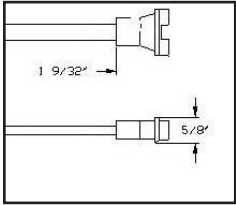
- Electrical cord and plug (see table for selection)
- Plastic mounting plate with breakaway metal flange
- Plaster guard
- Instruction manual

Part Number	Wire Gauge	Cord Length	Ctn. Qty.	Ctn/Skid
775594-12-6	12	6'	16	72
775594-12-14	12	14'	16	48
775594-14-6	14	6'	16	72
775594-14-14	14	14'	16	48



ElectraValve® RetroFit Kit

The RetroFit Kit is perfect for replacing a damaged plug. Simply cut the existing cord near the plug and join the RetroFit Kit to the existing cord. The result is a brand new plug.

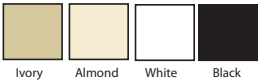


Part Number	Wire Gauge	Ctn. Qty.	Ctn/Skid
775595RKV3	12	5	245
775595RKV4	14	5	245

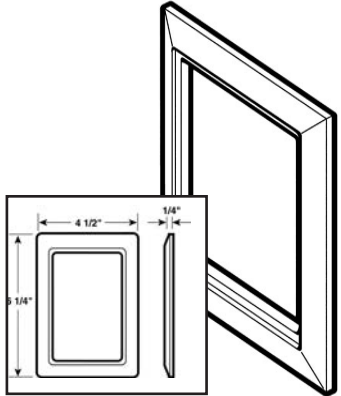
ElectraValve® Trim Plate

The ElectraValve® Trim Plate mounts behind the ElectraValve® to cover unsightly gaps in the drywall or to enhance the decor of the valve.

Available Colours



Part Number	Colour	Ctn. Qty.	Ctn/Skid
775589	Ivory	150	72
775589A	Almond	150	72
775589W	White	150	72
775589BLK	Black	150	72



Canplas Industries Ltd.
 P.O. Box 1800, 500 Veterans Drive
 Barrie, Ontario
 Canada L4M 4V3
 Tel: (705) 726-3361
 Toll Free: 1-800-461-5300
 Fax: (705) 726-2186
 Website: www.vaculine.com
 Email: vaculine@canplas.com

Canplas LLC
 11402 East 53rd Ave.
 Suite 200, Denver, CO
 U.S.A. 80239
 Tel: (303) 373-1918
 Toll Free: 1-888-461-5307
 Fax: (303) 373-1923
 Website: www.vaculine.com
 Email: vaculine@canplas.com