



MADE IN GERMANY

SEBO AIRBELT D

OWNER'S MANUAL

For Household Use Only

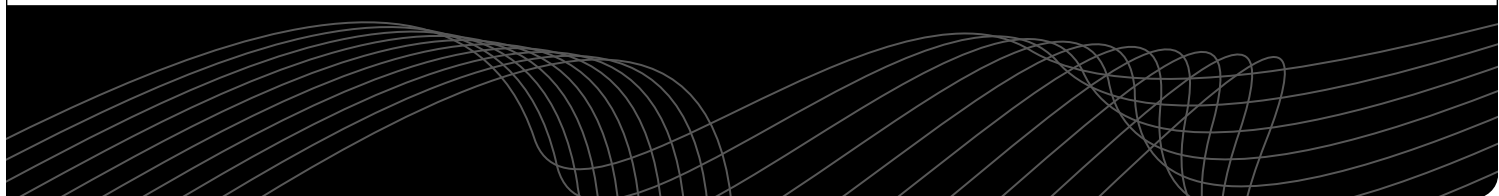


TABLE OF CONTENTS

Technical Details	2
How To Contact SEBO	2
Important Safety Instructions	3
AIRBELT D Product Features	4
AIRBELT D1 Turbo Features	4
AIRBELT D4 Premium Features	5
ET-1 Power Head for the AIRBELT D4 Premium.....	5
Optional Attachments, Accessories, Bags and Filters	6
Standard Features of All SEBO Vacuums	7
Identification of Parts	8
Assembly	8
Operating Instructions	9
Before You Use your AIRBELT D	9
Starting the Machine	9
Suction Control	10
Brush Roller Switch (D4 Premium).....	10
Adjusting the Telescopic Tube.....	10
Using the Telescopic Tube, Hose & Attachments.....	10
Bag Full or Clog Indicator & Auto Shut-off	10
Retracting the Cord	11
Storing the Vacuum.....	11
Use and Maintenance of Brushes and Heads	11
Parquet Brush	11
Premium Parquet Brush.....	11
TT-C Turbo Head.....	11
Kombi Nozzle	11
Premium Kombi Nozzle	11
Vacuum Maintenance	12
Changing the Filter Bag	12
Changing the AIRBELT Textile.....	12
Changing the Pre-motor Filter	13
Changing the Exhaust Microfilter	13
Clog Removal	14
Clogs in the Head or Brush	14
Clogs in the Telescopic Tube.....	14
Clogs in the Hose.....	14
Clogs in Entrance to Filter Bag.....	14
Trouble-shooting Guide	15
AIRBELT D1 Turbo Schematic and Part Numbers	16
AIRBELT D4 Premium Schematic and Part Numbers	17

TECHNICAL DETAILS

Vacuum motor	1250 watts (12 amps)	Body weight	15.9 lbs
Water lift (at motor)	95 inches	Motor protection	Thermal cut-out
Airflow (at motor)	120 CFM	Cord length	40 feet
Filter bag capacity	1.5 gallons	Range	52 feet
Sound level	63 dBA		

Technical details may be subject to change.

HOW TO CONTACT SEBO

To contact SEBO in the United States of America:

SEBO America, LLC
 Telephone: (800) 334-6614
 Fax: (303) 792-9196
 Website: www.sebo.us

To contact SEBO in Canada:

SEBO Canada
 Telephone: (877) 258-5005
 Fax: (800) 270-4807
 Website: www.sebocanada.ca

IMPORTANT SAFETY INSTRUCTIONS



READ ALL INSTRUCTIONS BEFORE USING THIS MACHINE

When using an electrical appliance, basic precautions must always be followed.

To reduce the risk of electric shock, this vacuum cleaner has a polarized plug; one blade is wider than the other. This plug will fit in a polarized outlet only one way. If the plug does not fit fully in the outlet, reverse the plug. If it still does not fit, contact a qualified electrician to install the proper outlet. Do not change the plug in any way. Connect only to the outlet type specified on the serial number plate underneath the machine.

SAVE THESE INSTRUCTIONS.

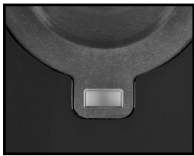
WARNING: To reduce the risk of fire, electric shock, or injury:

1. Use only as described in this manual. Use only manufacturer-recommended attachments.
2. Do not use outdoors or on wet surfaces.
3. Do not use near small children or pets. Do not allow to be used as a toy. Use of this product by children should always be supervised by an adult.
4. Do not put any object into vacuum openings. Do not use machine with any openings blocked. Keep openings free of lint, hair, and anything that may reduce air flow.
5. The hose contains electrical wires. Do not use if damaged, cut, or punctured.
6. Do not use with a damaged cord or plug.
7. Do not handle plug or vacuum handle with wet hands.
8. Do not leave vacuum while plugged in. Unplug from outlet when not in use and before servicing.
9. Do not pull or carry by cord, use cord as a handle, close a door on cord, or pull cord around sharp edges or corners. Do not run vacuum over cord. Keep cord away from heated surfaces.
10. While the vacuum is in use, the power cord should be unwound from the cable reel at least two thirds of its length or approximately 25 feet.
11. Do not use outlets above counters to plug in vacuum – damage to items in the surrounding area could occur.
12. Turn off all machine controls before unplugging.
13. Do not unplug by pulling on cord. To unplug, grasp the plug – not the cord.
14. Do not vacuum up anything that is burning or smoking, such as cigarettes, matches, or hot ashes. Do not use machine to vacuum up flammable or combustible liquids such as gasoline. Machines can cause a fire when operated near flammable vapors or materials. Do not operate this vacuum near flammable fluids, dust or vapors.
15. Do not use vacuum without filterbag and/or filters in place.
16. Do not re-use filter bags or wash the filters.
17. Always carry the vacuum over steps and sills.
18. Use extra care when cleaning on stairs.
19. Do not use vacuum as a step.
20. Keep hair, loose clothing, fingers, and all parts of body away from vacuum openings and moving parts. Do not place fingers or other body parts under vacuum unless it is unplugged.
21. Avoid picking up sharp objects.
22. Always unplug vacuum before connecting or disconnecting either hose, telescopic tube or power head.
23. Maintenance and repairs must be done by authorized service personnel.
24. Use only original SEBO replacement parts.
25. If vacuum is not working as it should, has been dropped, damaged, left outdoors, or dropped into water, contact a SEBO service center.
26. Do not remove any screws from vacuum.
27. The vacuum has a manual reset thermal protector. The protector is reset by switching off the vacuum. The thermal protector needs some time to cool down after switching off! Check the vacuum for air blockages or mechanical failures before switching on.
28. Store the vacuum in a dry place at room temperature. When the vacuum is not in use, you should rewind the cord onto the cord reel. Hold plug when rewinding onto the cord reel. Do not allow plug to whip while rewinding.
29. If using a power head with this vacuum, use only a SEBO power head. Refer to power head manual for further information.

SEBO AIRBELT D PRODUCT FEATURES

The SEBO AIRBELT D is equipped with many extras that will make your life easier! Its "suction-optimized" airflow pathway, together with its one-of-a-kind tapered-hose technology, provides ultra-quiet operation and amazing suction power. And the ergonomically designed handle offers unmatched user comfort and smooth operating maneuverability. Every detail expresses the highest quality, modern design, reliability, and the standard features SEBO customers throughout the world have come to expect, such as:

- SEBO's patented AIRBELT Bumper Guard.
- An adjustable telescopic tube.
- Long-lasting motor life, which is further extended by its soft-start switch.
- S-class, hospital-grade filtration, which is excellent for users with allergies or asthma.



Bag Full or Clog Indicator & Auto Shut Off – The "BAG FULL OR CLOG" indicator (located by a window in the top lid) will turn orange when it senses a full bag, a clog in the airflow pathway, or an excessively dirty microfilter. If the user ignores this warning, the suction motor will

shut off to protect itself from damage. If a clog is detected, an overflow valve will open to allow more air into the motor compartment. After running for approximately 8 minutes, the motor will shut off. The user should turn the switch off, unplug the machine and immediately insert a new bag or remove the clog (to remove a clog, refer to the Clog Removal section on page 14). If the airflow is still restricted, the indicator will again show orange and the above sequence will be repeated.

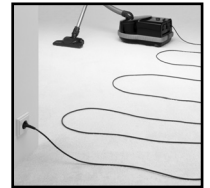
Quick-release Connections – The AIRBELT D allows for quick and convenient connection of telescopic tubes, power brush heads, accessory cleaning heads and on-board tools.



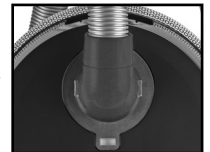
Three Full-Size On-board Tools and Parquet Brush – The vacuum comes standard with a crevice nozzle, dusting brush and upholstery nozzle which are conveniently stored on the vacuum.

Comfortable Ergonomic Handle – The AIRBELT handles are ergonomically designed and positioned to reduce wrist and arm fatigue. For extra comfort, an additional swivel is built into the handle-to-hose connection.

Large Operating Range – A 40-foot cord with a 52-foot cleaning radius saves time because it minimizes the number of electrical outlets needed during use.



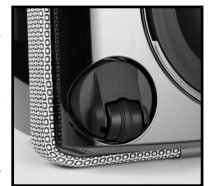
Push-button Cord Rewinder – The super-long power cord rewinds by simply pressing a button.



320-Degree Rotating Hose – A brilliantly designed hose-to-canister connection allows 320-degree rotation of the suction hose, providing easier user movement and machine maneuverability.



Shock Absorber Provides Furniture and Wall Protection – The patented "AIRBELT" bumper that surrounds the D4 canister acts as a protective barrier. The soft foam bumper with its durable textile covering protects furniture, walls and the vacuum itself from damage during use.



Personalized Vacuums – AIRBELT canister vacuums can be personalized with a replacement AIRBELT textile available in several patterns and colors.



Rubber-coated Wheels and High Quality Castors – The quality of the wheels and castors on SEBO canisters prevent damage to floors and rotate 360° for easy maneuverability.

A Huge 1.5-Gallon Filter Bag – The large-capacity filter bag is convenient and economical because fewer bag changes are needed.

AIRBELT D1 TURBO

AIRBELT D1 Turbo: The AIRBELT D1 Turbo is a straight-suction vacuum. Thus, it differs from the AIRBELT D4 Premium as follows:

Turbo Head and Parquet Brush, but No Power Head – The AIRBELT D1 has a telescopic tube and suction hose without an integrated power cord, so it does not accommodate an electric power head. Instead, it comes with an air-driven turbo head for rugs and a parquet brush for hard floors.

Suction-control Knob on Canister Body – Because the AIRBELT D1 has a hose and telescopic tube without a power cord, its suction-control knob is located on the canister body, not the handle, and an LED light illuminates when it is powered on, but it does not include the optical suction-power indicator available on the AIRBELT D4.



The AIRBELT D1 Turbo AM model comes standard with a TT-C Turbo Head and a Parquet Brush. The AIRBELT D1 Turbo FC model comes standard with a TT-C Turbo Head and a Premium Parquet Brush.

Powerful Vacuum Motors Provide Excellent Cleaning – The AIRBELT D1 canister suction motor is 1250 watts.



AIRBELT D4 PREMIUM

Designed for All Floor Surfaces.

The AIRBELT D4 Premium has an electrified hose and telescopic tube designed to accommodate the ET-1 power head. The ET-1 power head is designed to provide thorough brushing for optimal cleaning of carpets. With a power brush to clean carpets and a parquet brush to clean hard floors, the AIRBELT D4 Premium provides all the flexibility needed to care for a variety of floor surfaces.



The AIRBELT D4 Premium includes the Parquet Brush (AM models) or the Premium Parquet Brush (FC models) for gently cleaning hard floors. Both are lightweight with soft bristles, so they glide gently over floors.



High-quality Telescopic Tube and Hose – The power cord is built inside the telescopic tube and suction hose. This eliminates unsightly external wires and enables unobstructed and convenient handle height adjustment.



Suction-adjustment Control on Handle – The AIRBELT D4's suction power can be adjusted using its soft-touch buttons on the hose handle, so upholstery can be cleaned with stronger suction, yet curtains can be gently vacuumed as well.



Brush Roller Switch on Handle – To switch from brushing action to straight suction for delicate floors, press the brush roller power switch on the handle. This will power off the brush roller on the power head. All indicator lights on the power head will turn off until the brush roller button is switched on again.

LED Suction-power Indicator – This technology is only on the D4 model, and it allows the user to optically monitor the vacuum's suction power. When using lower power settings, the LED light rotates slowly. When using higher power settings, the light rotates more quickly. When the power is set to standby mode, the light slowly blinks back and forth, left to right.

Powerful Vacuum Motors Provide Excellent Cleaning – The canister suction motor is 1250 watts, and the D4 ET-1 power head motor is 175 watts, for a total of 1,425 watts.



ET-1 Power Head for the AIRBELT D4 Premium

Deep clean your carpet with a SEBO ET-1 power head. THE SEBO ET-1 power head is virtually maintenance free, and the electronic overload protection feature extends belt life by automatically shutting off power if a brush roller jams. This power head delivers cleaning flexibility because the brush action aggressively cleans carpeting, and the brush may be switched off on the handle to clean hard floors and delicate rugs. The steering ability of the swivel neck helps to easily clean around obstacles, and the L-shaped head provides maneuverability around furniture and under cabinets. The ET-1 also has brush height and brush wear warning lights.



Cleaning Dimensions – The ET-1 power head is 12 inches wide, with a cleaning width of 10½ inches.

Both Carpet and Hard Floor Cleaning – With a power brush to clean carpets and a parquet brush to clean hard floors, the AIRBELT D4 provides all the flexibility needed to care for a variety of floor surfaces.

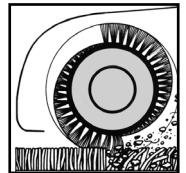
Brushless Cleaning Capability – The ET-1 power head can provide gentle, brushless cleaning of delicate rugs or hard floors because the brush roller may be switched off, but suction will continue.

Brush Obstruction Light & Auto Shut Off – If an obstruction becomes jammed in the brush roller, a warning light will quickly flash, the brush roller will immediately stop spinning and the vacuum will shut off. The user should turn the power switch off, unplug the machine, and immediately remove the obstruction. If the user restarts the machine without removing the obstruction, the power head will again shut off and the amber light will turn on. This prevents the belt from breaking and protects the motor from damage.



Incorrect Height Setting or Brush Deterioration Light – To ensure optimum cleaning at all times, a warning light will illuminate to indicate when the brush height is set too high for effective cleaning, or when the brush roller should be replaced due to excessive wear.

Four-level Manual Brush Height Adjustment – The brush height can be adjusted up or down for optimum cleaning.



OPTIONAL ATTACHMENTS, ACCESSORIES, BAGS & FILTERS

In addition to the standard on-board tools, a variety of optional attachments are available. The 9' 2" extension hose (extends suction hoses) and the 22" extension wand are very popular because they create useful tools for cleaning stairs and out-of-reach areas. Another popular attachment is the hand-held Turbo Brush for removing pet hair from upholstery and stairs. See page 11 for more information on the Parquet Brush, Premium Parquet Brush, Kombi Nozzle and TT-C Turbo Head.

SEBO AeraPure™ filter bags can be purchased in boxes of eight and filters are sold as a set. SEBO bags, filters and accessories are reasonably priced and widely available.

To create a fresh scent while vacuuming, SEBO FRESH is available. To use, deposit a scented stick in the filter bag.

ATTACHMENTS

Included all D models

-  Dusting Brush Horsehair Bristles #8146ER
-  Upholstery Nozzle #8142GS
-  Crevice Nozzle #8066GS

Included D4 Premium AM Models

-  ET-1 Power Head Black, White
-  Parquet Brush #6391DA

Included D4 Premium FC Models

-  ET-1 Power Head Black, White, Red
-  Premium Parquet Brush #7200GS

Included D1 Turbo AM Models

-  Turbo Brush #8365GS
-  Parquet Brush #6391DA




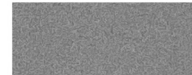
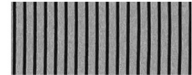



Included D1 Turbo FC Models

-  TT-C Turbo Head #8365GS
-  Premium Parquet Brush #7200GS

Optional Attachments

-  24" Crevice Nozzle #1093JV
-  22" Extension Wand #1084GS
-  9' 2" Extension Hose #1495AM
-  Hand-held Turbo Brush #6179ER
-  Flat Upholstery Nozzle #1090HG
-  Wall & Floor Brush #1325GS
-  Turn and Clean Parquet Brush #1327WS
-  Dusting Brush Nylon Bristles #1329GS
-  Dusting Brush Large Opening Nylon Bristle #1094GS
-  Premium Parquet Brush #7200GS
-  TT-C Turbo Head #8365GS
-  Premium Kombi Nozzle #7260GS
-  Kombi Nozzle #6735GS
-  Radiator Brush #1496GS
-  Kombi Nozzle #8351GS

BAGS, FILTERS, ACCESSORIES AND WEAR ITEMS

-  8 AeraPure™ Bags #8120AM
-  Filter Set with Pre-motor Filter and Exhaust S-class Microfilter, #8191AM
-  AIRBELT Textile Gray Black, Solid #6047AM01
-  AIRBELT Textile Titanium Silver, Solid #6047AM02
-  AIRBELT Textile Black/Silver, Stripes #6047AM10
-  12" Brush Roller #5010AM
-  12" Brush Roller (Soft Bristle) #5010GE
-  SEBO FRESH 1 Pkg. of 5 #0496AM

NOTE: The Premium Parquet Nozzle has a removable brush strip for cleaning and replacement. To change the brush strip, remove the yellow cap with a screw driver and pull out the brush strip. After inserting the new brush strip, the cap has to click into place again.

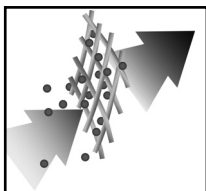
STANDARD FEATURES OF ALL SEBO VACUUMS

SEBO's FILTRATION SYSTEM:

Bagged vs. Bagless . . . Bags are Better! – Top-fill, three-layer AeraPure™ Bags are an integral part of SEBO's filtration system because they hold virtually all the dirt captured by the vacuum, which improves the effectiveness and useful life of the microfilters. They also ensure continuously strong suction because dirt enters from the top, deposits at the bottom, accumulates upward, and air exits through the sides, which allows unimpeded airflow as they fill to capacity. And they can be tightly sealed with a hygiene cap when full, so no dust can escape into the air during bag removal and disposal.

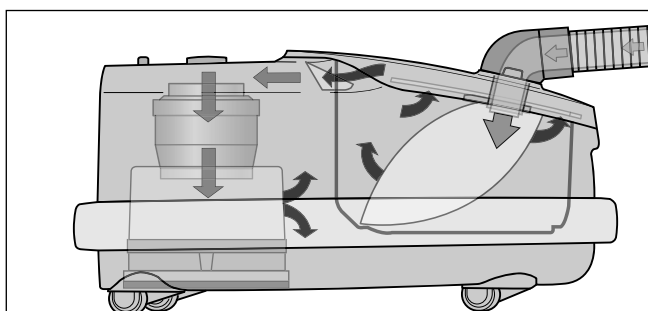
In contrast, without bags to hold nearly all the captured dirt, the microfilters on bagless vacuums quickly clog from excessive dirt build-up and must be replaced often, or a loss of suction and cleaning effectiveness will occur. In addition, dust and other allergens become airborne when emptying bagless dirt containers. Lastly, bagless vacuum microfilters are expensive, usually costing more than a multi-year supply of SEBO filter bags.

S-class, Pre-motor and/or Exhaust Microfilters – S-class, Pre-motor and Exhaust Microfilters (S = "Schwebstoff" = airborne particles) are made from electrostatically charged, micro-fiber material, which attracts and captures dust particles from the airflow of the vacuum



before and after it passes over the motor to cool it. Cooling the motor with super-clean air increases motor life and reduces the possibility of maintenance, even after many years of use. Also, the exhaust air is cleaned to the highest level before being emitted from the machine. The S-class Standard requires filters to absorb greater than 99.9% of particles down to 0.3 microns in diameter. For comparison, 100 microns is the diameter of a human hair. Their advantages are a relatively open texture that allows smoother airflow for better suction performance, a longer life expectancy, and they cost less than HEPA filters.

HEPA, Pre-motor and/or Exhaust Microfilters (Optional) – HEPA Microfilters ("High Efficiency Particulate Air") remove a minimum of 99.97% of all airborne particulate matter down to 0.3 microns in diameter. Because these filters use small, grid-like structures to capture dust particles, dirt build-up clogs the airflow pathway sooner than what is expected from S-class microfilters. However, SEBO's HEPA microfilters are sold along with three-layer AeraPure™ bags, which provide highly effective filtration before the airflow goes through the HEPA microfilter, greatly increasing life expectancy and reducing the potential of diminished airflow.



Super quiet air exhaust all around!

Designed and Manufactured in Germany – Legendary quality, reliability and performance make SEBO vacuums the first choice of cleaning professionals throughout the world.

World's Best Pet Vacuums – Because of superior power-head and brush-roller technology, SEBO vacuums are the world's best for pet hair removal!

Tightly Sealed Vacuums Ensure Effective Filtration – Dirty air, which flows through a vacuum, can only be filtered completely if it does not escape into the room through seams or seals in the machine. This is why all SEBO vacuums have tight seals throughout.

Many vacuum companies with high-filtration claims are actually quoting specifications made by the manufacturer of the filter material, as measured in the laboratory, not the filtration effectiveness of the vacuum itself while operating. Whether or not dirty air can escape through leaks in the body of the machine is not considered. The filtration effectiveness of SEBO vacuums is tested while they operate.

Reliable, Commercial-grade Components – All SEBO vacuums are constructed with thick, reinforced, ABS plastic, aluminum and metal parts, steel axles and bearings, and high-end, quality motors. Therefore, SEBO users own reliable, long-lasting vacuum cleaners. Competing vacuums are made with thin, flimsy, inexpensive, plastic materials, none of which are reinforced, and typically have useful lifespans of one or two years.

Rubber Wheels and Soft Bumpers Protect Homes – Smooth-gliding, rubber wheels protect hard floors and provide exceptional maneuverability. In addition, the bumpers that surround the power heads and the soft AIRBELT bumpers that surround SEBO's canisters protect furniture, walls, and vacuum housings from incurring scuffs and scratches during use.

Advanced, Brush-roller Technology – SEBO's brush rollers are uniquely designed to funnel hair and debris into the power head's airflow channel, which improves vacuum cleaning performance on all flooring surfaces.

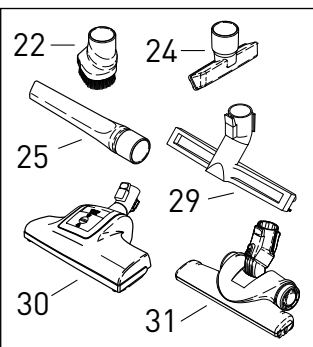
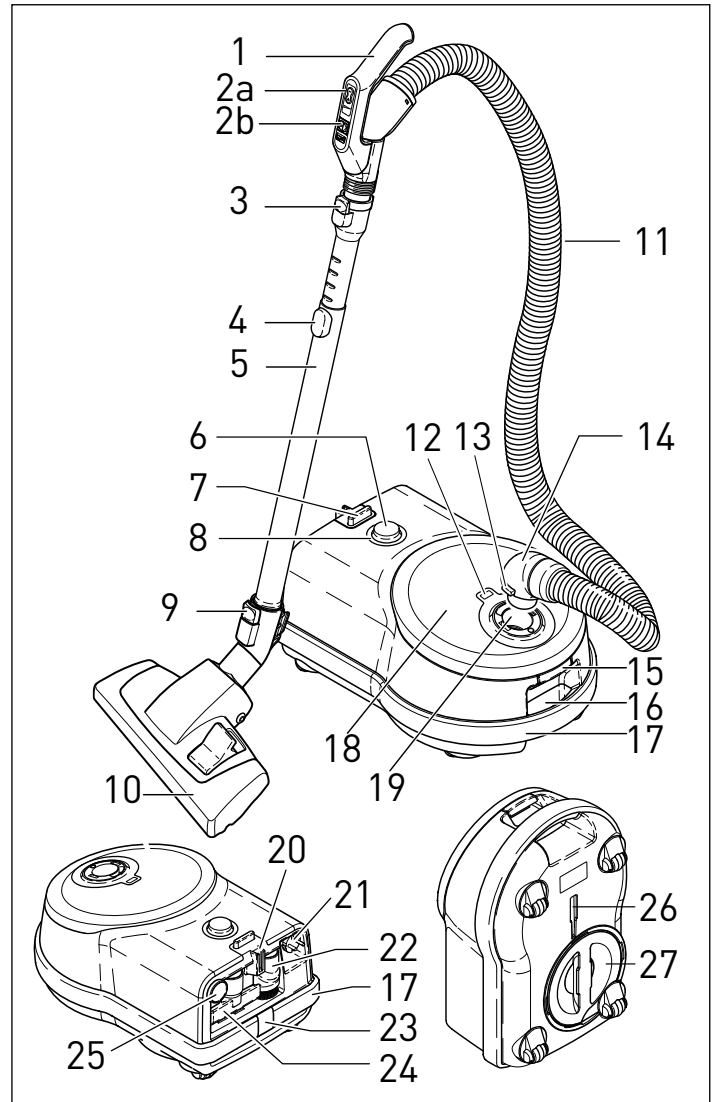
Changing Bags is Easy and Clean – SEBO AeraPure™ filter bags can be changed in just a few seconds, and a hygiene cap keeps dust sealed inside during removal and disposal.

Save Money! SEBO Vacuums Last for Years and Extend Carpet Life! – If properly maintained, SEBO vacuums save ordinary, residential users hundreds of dollars, by providing excellent performance for ten to fifteen years or more, and their deep-cleaning, power-brush technology extends the life of carpets. Typical vacuums perform poorly, even when new, and usually do not last beyond two years. So six or seven "disposable vacuums" must be purchased during the average life expectancy of just one SEBO machine.

Incredible Warranty Coverage – All SEBO models include a FREE seven-year warranty on the motor and five-years on non-wear parts and labor charges.

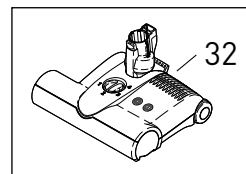
IDENTIFICATION OF PARTS

1. Handle grip
- 2a. Suction-control button (D4 Premium)
- 2b. Brush roller switch (D4 Premium)
3. Tube release button
4. Slide button
5. Telescopic tube
6. On/Off power knob (D4 Premium)
On/Off power and suction control knob (D1 Turbo)
7. Push-button cord rewinder
8. LED power and suction indicator (D4 Premium)
LED power indicator (D1 Turbo)
9. Tool release button
10. Kombi nozzle (optional)
11. Hose
12. Bag full or clog indicator
13. Hose neck release tabs
14. Hose neck
15. Cover release catch
16. Carrying handle
17. AIRBELT bumper and textile
18. Filter bag cover
19. Suction opening
20. Parking groove
21. Power cable
22. Dusting brush
23. AIRBELT clip
24. Upholstery nozzle
25. Crevice nozzle
26. Parking groove
27. Microfilter holder



Attachments

22. Dusting brush
24. Upholstery nozzle
25. Crevice nozzle
29. Parquet brush
30. TT-C Turbo head
31. Premium parquet brush



Power Head for D4 Premium

32. ET-1 Power Head -
Part #9260AM Arctic White
Part #9261AM Black (Onyx)
Part #9296AM Red

ASSEMBLY

Push the neck (14) of the hose (11) into the suction opening (19) of the canister (figure 1-A). When all four notches are lined up correctly, the neck will snap firmly into place. To release the hose from the suction opening, squeeze the release tabs (13) on both sides of the neck of the hose (14), and pull the neck out.

Connect the handle grip (1) to the top of the telescopic tube (5). Snap in place (figure 1-B). To release the telescopic tube (5) from the handle grip, push the handle release button (3) and slide the handle out.

Attach the power head, nozzle or brush to the bottom of the telescopic tube (5). Insert the bottom of the telescopic tube into the neck of the power head, nozzle or brush (10) until it locks into place; or line up the square hole in the telescopic tube with the notches in the front of the neck, and snap firmly into place (figure 1-C). To release a power head, nozzle or brush from the telescopic tube (5), push the head release button (9), and pull it off the end of the telescopic tube. The release button (9) is in the same position on all of the heads.

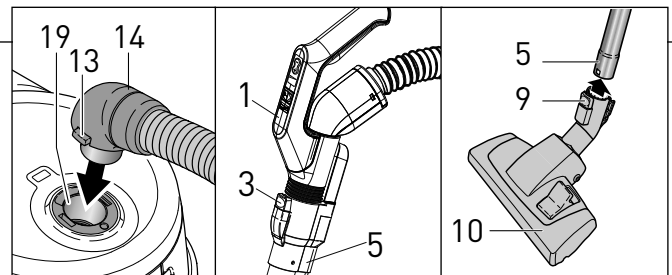


Figure 1-A

Figure 1-B

Figure 1-C

OPERATING INSTRUCTIONS

BEFORE YOU USE YOUR AIRBELT D - Figures 2, 3 & 4

Your AIRBELT D canister is equipped with a soft start system and variable suction controls. To help you better understand the various power control options on your SEB0 canister, please follow the instructions below.

D4 Premium Users - Figures 2, 3 & 4

1. Grasp the plug and pull the power cord (21) out from the power cable recess (figure 2). The power cord should be unwound from the cable reel at least two thirds of its length or approx. twenty-five feet. Do not over-extend the cord. **DO NOT PLUG INTO POWER SOURCE UNTIL STEP 3 BELOW.**
2. Grip the handle of the hose (1) with your thumb over the suction-adjustment control button (#2a, figure 3).
3. Plug the polarized power cord into a 120 volt wall outlet located near the floor.
4. Press the on/off power knob on the base of the canister (6) gently with your foot or hand (figure 4). The blue light (8) will illuminate indicating that the power is on. The blue LED light (8) around the on/off knob (6) will pick up speed as the suction on the canister increases (figure 4). It will reach full power in a few seconds.
5. Press the (-) on the suction-control button on the handle (#2a, figure 3) to decrease the suction, or the (+) to increase the suction. You can press the soft-touch button several times or hold it down steadily until you reach the suction desired.
6. If you continue to press the (-) you will eventually put the canister in standby mode. Standby mode means that the canister is plugged in, but not running. Note that when the canister is in standby mode, the blue light (8) around the on/off switch on the canister blinks back and forth.
7. When the canister is in stand-by mode, it can be restarted by pressing the (+) on the suction-adjustment button. When the canister is restarted this way, it powers up with minimum suction.
8. Press the brush roller switch (#2b, figure 3) on the D4 handle to turn the brush roller on the ET-1 power head to the on or off position.
9. **BEFORE PROCEEDING WITH FURTHER ASSEMBLY AND USE**, turn off the vacuum with the on/off power knob on the canister (6) **AND** unplug the unit from the wall outlet.

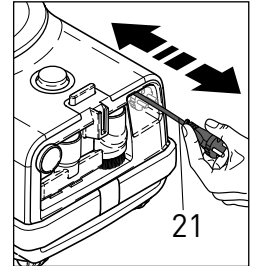


Figure 2

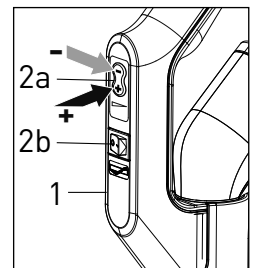


Figure 3

Note: D4 users - see the ET-1 Owner's Manual for power head instructions.

D1 Turbo Users - Figures 2 & 4

1. Grasp the plug and pull the power cord (21) out from the power cable recess (figure 2). The power cord should be unwound from the cable reel at least two thirds of its length or approx. twenty-five feet. Do not over-extend the cord. **DO NOT PLUG INTO POWER SOURCE UNTIL STEP 3 BELOW.**
2. Grip the handle of the hose (1).
3. Plug the polarized power cord into a 120 volt wall outlet located near the floor.
4. Press the on/off power knob on the base of the canister (6) gently with your foot or hand (figure 4). The blue light (8) will illuminate indicating that the power is on. Rotate the power knob (6), which also functions as suction adjustment, to increase or decrease to the desired suction.
5. **BEFORE PROCEEDING WITH FURTHER ASSEMBLY AND USE**, turn off the vacuum with the on/off power knob on the canister (6) **AND** unplug the unit from the wall outlet.

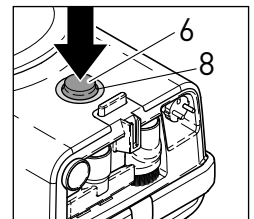


Figure 4

ALWAYS TURN THE POWER OFF ON THE CANISTER BEFORE UNPLUGGING THE UNIT. ALWAYS TURN OFF THE CANISTER AND UNPLUG BEFORE CONNECTING OR DISCONNECTING THE HOSE (11), TELESCOPIC TUBE (5) OR POWER HEAD.

WARNING! The quality, condition, coating, texture, age and manufacturing technique of all floor surfaces vary. Therefore, vacuums with rotating brushes, including your SEB0, may damage some floor coverings or surfaces. Some types of high-gloss hardwood floors, cushion vinyl, berber carpets, long shag, and delicate or hand-woven carpets are particularly vulnerable to damage by rotating brushes. When possible, consult the materials supplied by your flooring manufacturer for information on proper upkeep and cleaning. **To ensure that your new SEB0 vacuum cleaner is compatible with your floor, please test the vacuum cleaner on each type of flooring surface in a small inconspicuous area to determine if any damage occurs. If damage occurs, stop using the vacuum cleaner immediately!**

Suction Control - D4 Premium Users - Figure 5

The suction will automatically increase to maximum power after the machine is switched on at the canister. You can control the suction by pressing the plus (+) or minus (-) on the suction-control button (2a) conveniently located on the handle grip (1). Press the soft-touch plus on the button for maximum suction or press the minus to reduce suction for vacuuming curtains or delicate fabrics. You may adjust the suction control with the suction-control button (2a) as you vacuum different surfaces or when using the accessory tools. For optimal cleaning and brushing, operate the machine at the maximum suction power setting and push the head slowly over the carpet. The LED suction indicator (8) allows the user to optically monitor the vacuum's suction power. When using lower suction settings, the LED light rotates slowly. When using higher suction settings, the light rotates more quickly. When the power is set to standby mode (by pressing the (-) button continuously), the light slowly blinks back and forth, left to right.

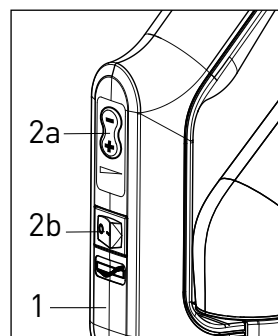


Figure 5

Brush Roller Switch - D4 Premium - Figure 5

To switch from brushing action to straight suction for delicate floors, press the brush roller power switch (2b) on the handle. This will power off the brush roller on the power head. All indicator lights on the power head will turn off until the brush roller button is switched on again.

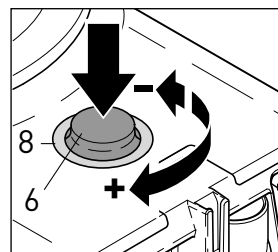


Figure 6

Suction Control - D1 Turbo Users - Figure 6

The on/off power knob (6) also functions as suction adjustment and is located on the top side of the canister. Rotate the knob clockwise for maximum suction. Rotate counter-clockwise to reduce suction for vacuuming curtains or delicate fabrics.

Adjusting the Telescopic Tube - Figure 7

Adjust the telescopic tube (5) to the correct height by pushing the slide button (4) and gently pulling the tube out to lengthen, or pushing it in to shorten. Release the slide button (4) to lock the tube to the adjusted height.

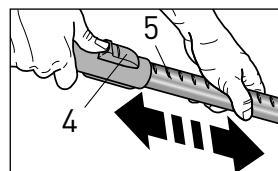


Figure 7

Using the Telescopic Tube, Hose & Attachments - Figures 8, 9 & 10

ALWAYS TURN OFF THE CANISTER AND UNPLUG BEFORE CONNECTING OR DISCONNECTING THE HOSE (11), TELESCOPIC TUBE (5) OR POWER HEAD.

The telescopic tube (5) is useful for vacuuming corners and hard-to-reach areas. Connect the telescopic tube (5) to the handle grip (1). To disconnect, simply press the tube release button (3) and pull the tube off the handle (figure 8). Most SEBO accessories can be attached directly to the handle grip (1) with the telescopic tube removed (figure 9).

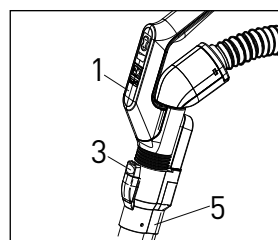


Figure 8

SEBO accessories with a button lock or release button will "SNAP" into place when attached correctly. The release button (9) is in the same position on all SEBO nozzles, brushes and power heads (figure 10). Friction fit accessories like the on-board tools should be snug, but not overly tight. When connecting or changing any SEBO non-electrical accessories such as the parquet brush (28), crevice nozzle (25), dusting brush (22) or upholstery nozzle (24), there is no need to unplug the canister.

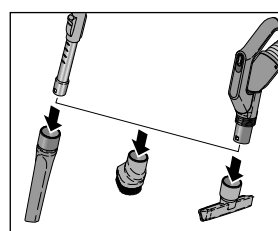


Figure 9

Bag Full or Clog Indicator & Auto Shut-Off - Figure 11

When the "BAG FULL OR CLOG" indicator, located on top of the canister (12), turns orange, airflow is reduced due to a full bag, a clog in the airflow pathway, or an excessively dirty filter. Turn the power off, unplug the machine and immediately insert a new bag (see page 12) or remove the clog (see page 14).

If the user ignores the orange warning indicator, the motor will shut off to protect itself from damage. The user should turn the power off, unplug the machine and immediately insert a new bag or remove the clog. If the airflow is still restricted, the "BAG FULL OR CLOG" indicator will turn orange again and the machine will shut off.

Vacuuming fine dust may require an earlier filter bag change even though the filter bag is not full. Fluff may overfill the bag without the light coming on.

The bag full indicator works more efficiently at full power. Check the bag full status regularly at full suction power.

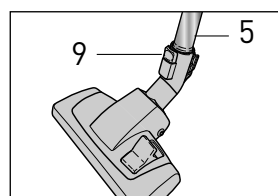


Figure 10

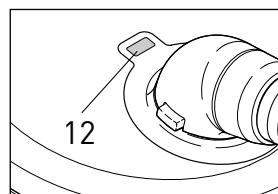


Figure 11

Retracting the Cord - Figure 12

To retract the cord, switch the vacuum off, unplug it from the outlet, then press the push-button cord rewriter (7) and the mechanism will automatically rewind the cord. You must hold the button down until the cord is fully rewound. Hold plug while rewinding into the cord wheel. Do not allow the plug to whip while rewinding. The rewind mechanism will stop automatically when you release the button. Before rewinding the cable, always switch off and unplug the vacuum.

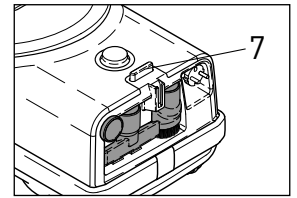


Figure 12

Storing the Vacuum - Figures 13, 14 & 15

The vacuum can be stored with the canister in a horizontal or vertical position. The Parquet Brushes, Kombi Nozzles and the TT-C Turbo Head have a parking tab located on the neck (34). Insert the parking tab into the upper side of the parking groove and slide down firmly. For vertical storage, use the parking slot on the underside (26). For horizontal storage, use the parking slot on the end of the canister (20).

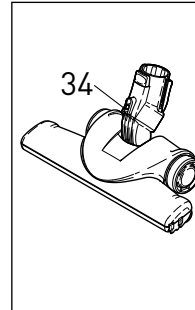


Figure 13

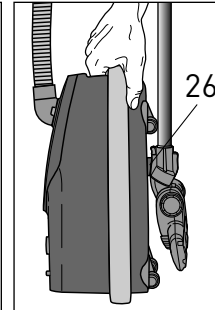


Figure 14

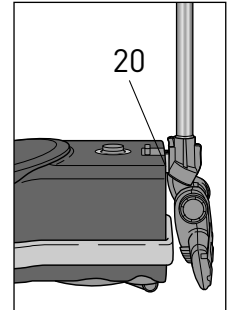


Figure 15

USE AND MAINTENANCE OF BRUSHES & HEADS



Always unplug vacuum from outlet before dismantling any part of machine!

To remove a brush or power head, switch off the power and unplug the vacuum. Then, press the tool release button (9) and pull the tube out.

NOTE! D4 Premium users with the ET-1 power head, please refer to your power head user's manual for more detailed instructions for operating and maintaining your power head.

Parquet Brush - Figure 16

The Parquet Brush (29) was designed specifically for vacuuming hard floors. It is lightweight with soft bristles, so it glides gently over floors and provides easy maneuverability. Fibers and hair can be pulled out of the bristles manually, or vacuum the bristles with the telescopic tube.

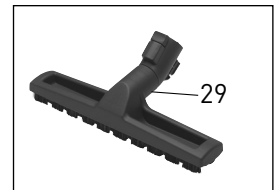


Figure 16

Premium Parquet Brush - Figure 17

The Premium Parquet Brush (31) is especially designed for use on hard surfaces. The brush should be cleaned regularly. Remove the parquet brush from the telescopic tube to clean. Fibers and hair can be pulled out of the bristles manually, or vacuum the bristles with the telescopic tube. The brush strips are removable for cleaning and replacement. To change the brush strip, remove the yellow cap with a screw driver and pull out the brush strip. After inserting the new brush strip, the cap has to click into place again.



Figure 17

TT-C Turbo Head - Figure 18

The TT-C Turbo Head (30) has an air-driven rotating brush for gentle brushing of carpets. The TT-C Turbo head can be adjusted for high and low pile carpet. To adjust the head for high pile carpet, push the slider button (39) upward. For low pile carpet, push the slider button (39) downward. Remove the Turbo head from the telescopic tube to clean. Remove fibers and hair from the brush manually.

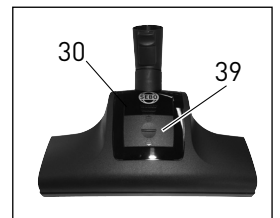


Figure 18

Kombi Nozzle and The Premium Kombi Nozzle - Figure 19

The Kombi Nozzle (10) and the Premium Kombi Nozzle (10b) are adjustable for carpet or hard floors. Use the toggle button (36) on either nozzle to raise the brush for carpet or lower the brush for hard floors. The brush should be cleaned regularly. Remove the nozzle from the telescopic tube to clean. Fibers and hair can be pulled out of the bristles manually, or vacuum the bristles with the telescopic tube.

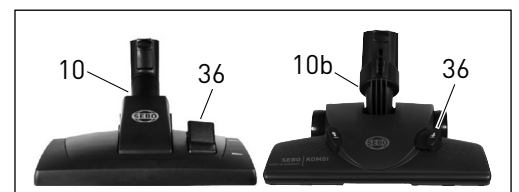


Figure 19

NOTE: The Premium Parquet Brush and the Premium Kombi Nozzle have brush strips that are removable for cleaning and replacement. To change the brush strip, remove the yellow cap with a screwdriver and pull out the brush strip. After inserting the new brush strip, the cap has to click into place again.

VACUUM MAINTENANCE



Always unplug vacuum from outlet before dismantling any part of machine!

Changing the Filter Bag - Figures 20, 21, 22, 23 & 24

To change the filter bag (40), switch off the power and unplug the vacuum. Lift the cover release catch (#15, figure 20) and raise the filter bag cover (18). Seal the filter bag with the sealing cap (41). Lift the filter bag out of the holder by tilting the green collar (42) up and pulling it out of the holder as shown in figure 21.

Insert the green collar of a new filter bag down into the filter bag holder vertically as shown in figure 23. Line up the tabs (#44, figure 22) with the slots on the green collar (#43, figure 24) and gently push the collar down flat until the center U-shaped clip (#45, figure 22) moves all the way forward. Close the cover, making sure it snaps shut completely. Do not re-use the filter bags.

The “bag full or clog” indicator works correctly only at full power. Check the status of the filter bag regularly at full power.

Note: The nature of the contents of the filter bag will affect the point at which it needs changing. Fine dust may require an earlier change even though the bag is not full. Fluff or hair allows air to pass through easily, so the filter bag may over fill before the “bag full” indicator turns orange.

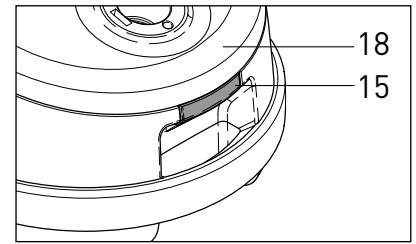


Figure 20

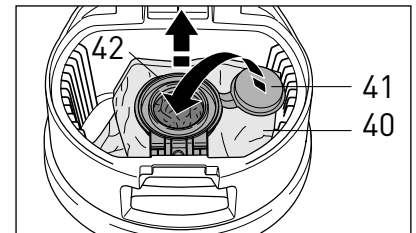


Figure 21

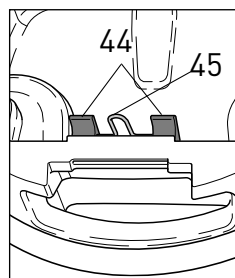


Figure 22

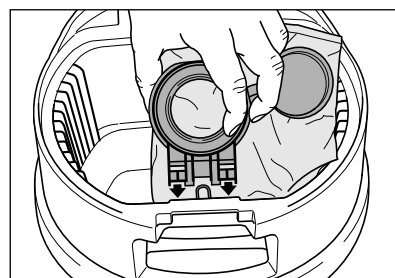


Figure 23

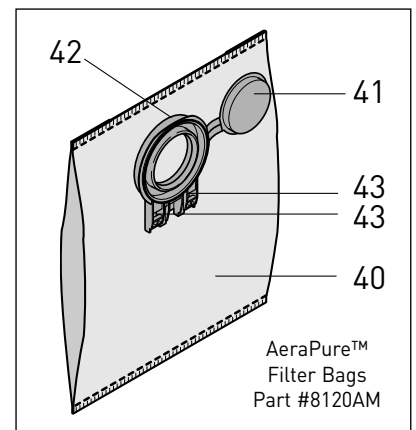


Figure 24

Changing the AIRBELT Textile - Figure 25

If damage occurs to the AIRBELT textile, it will need to be replaced. To remove the AIRBELT textile (7), pry off the clip (23) by inserting the tip of a slot-head screwdriver under the bottom side of the clip. Push outward carefully on the screwdriver until the clip pops off. Grasp the end of the textile (7) and pull - the textile will peel off. The foam bumper (46) remains on the vacuum. To replace the AIRBELT textile, insert the side ribs of the textile into the grooves (47). Start at the back, insert the rib of the textile into one groove (47), and while holding it down, stretch the textile around the foam (46) into the opposite groove (47). Continue around the vacuum. Secure the ends with the clip (23).

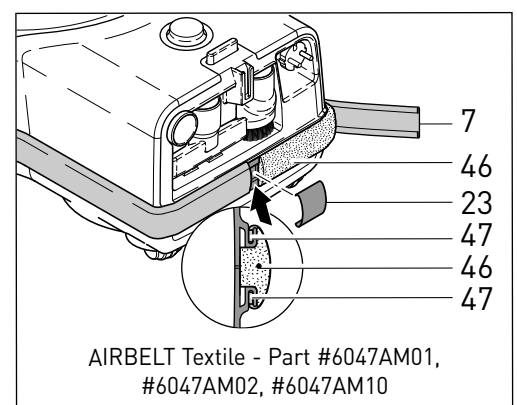


Figure 25

Note: Never operate the vacuum with incorrectly attached filters or without filters, bag, AIRBELT textile or filter bag housing cover (18). Do not re-use filter bags. Do not wash and re-use filters.

Changing the Pre-motor Filter - Figures 26 & 27

The pre-motor filter (48) needs to be changed when it becomes extremely dirty or clogged. To remove the pre-motor filter, switch off the power and unplug the vacuum. Lift the cover release catch (#15, figure 26) and raise the filter bag cover (18). Pull the filter (48) out by grasping the rubber rim (#50, figure 27) of the filter and pulling it out of the groove (#49, inset, figure 29) that holds it. Fit the new filter into the groove and push the rubber rim snugly into the groove **all the way around the filter edge**. Do not leave any loose edges. Close the filter bag cover making sure that the cover release catch snaps back into place.

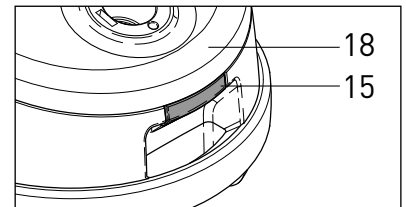


Figure 26

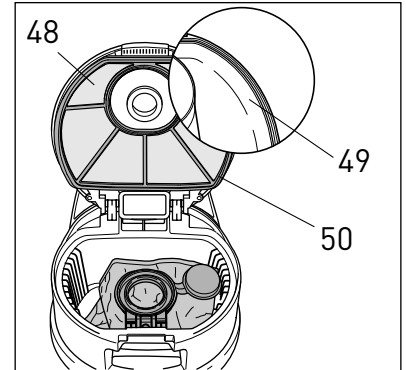
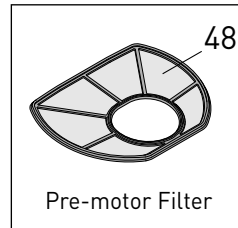


Figure 27

Changing the Exhaust Microfilter - Figures 28, 29, 30 & 31

After 10 to 20 bags have been used, change the exhaust microfilter (52). To remove the microfilter, switch off the power and unplug the vacuum. Press the release button (51) located on the filter holder (27) as shown in figure 28. While holding the button in, rotate the holder counter-clockwise and pull it out. Remove the filter (52) from the filter holder (27) by pulling the rubber strip (#53, figure 29) away from the notches (54) that hold it onto the base of the filter holder then pulling the filter off. Fit the new filter down over the holder, lining up the notches (54) on the holder with the holes (55) in the red rubber strip. The two tabs located on the indented portion of the red filter rim hook onto the holder rim (see position #56, figure 30). Tuck the peak of the filter down as shown in figure 29. Insert the assembly back into the machine and turn the holder cover clockwise (figure 31). It is not necessary to press the release button to close the filter holder.

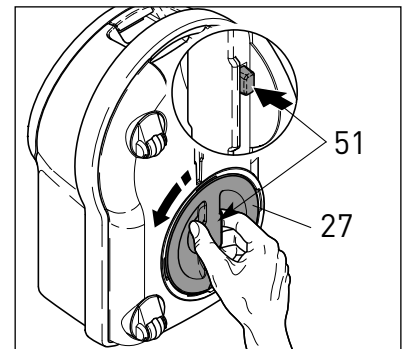


Figure 28

D Filter Set - Pre-motor Filter and Exhaust Microfilter - Part #8191AM

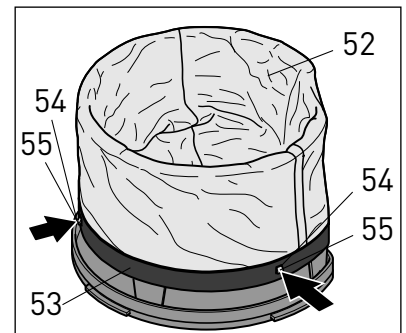
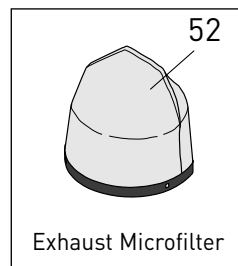


Figure 29

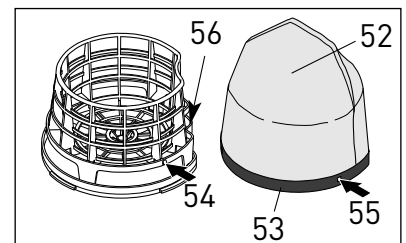


Figure 30

Note: Never operate the vacuum with incorrectly attached filters or without filters, bag, AIRBELT textile or filter bag housing cover (18). Do not re-use filter bags. Do not wash and re-use filters.

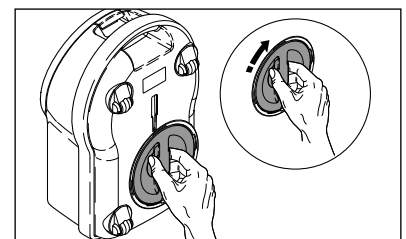


Figure 31

CLOG REMOVAL

⚠ Always switch off power and unplug vacuum from outlet before removing any clogs!

NOTE! D4 Premium users with the ET-1 power head, please refer to your power head user's manual for more detailed instructions for removing clogs in your power head.

If the "bag full or clog" warning indicator (12) remains orange after the filter bag has been changed and the filters are in good condition, there is likely a clog in the system.

Clogs in the Head or Brush - Figure 32

Clogs in the swivel neck (57) of a head or brush can be cleared by first pressing the tool release button (9) and removing the brush or head. Check inside the swivel neck channel (58), and clean out pathway.

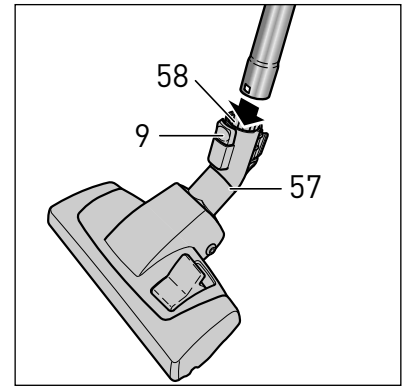


Figure 32

Clogs in the Telescopic Tube - Figure 33

Remove head from telescopic tube (5) by pushing the tool release button (9) and pulling the tube out. Remove the handle grip (1) from the top of the telescopic tube by pushing the tube release button (3). A stiff wire or stick can be used to push the clog out of the tube.

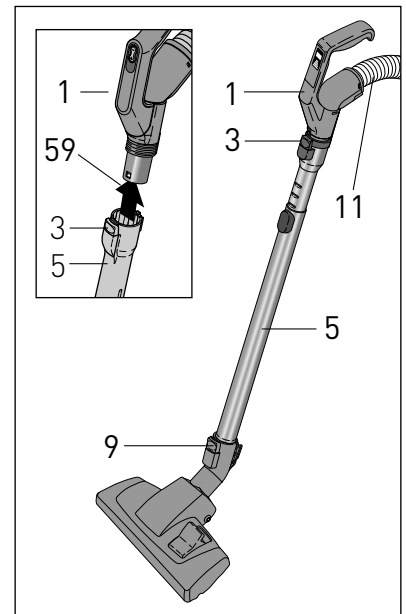


Figure 33

Clogs in the Hose - Figures 33, 34, 35 & 36

Check for suction at the end of the hose by removing the handle grip (1) from the telescopic tube (5) and putting your hand over the handle grip suction opening (59). Turn the power on and slide the suction up to full power. If you feel reduced suction, the blockage is in the hose.

If the blockage is in the hose, there are two ways to clear it:

1. With the telescopic tube disconnected from the handle grip (1), hold the hose upright with one hand blocking the handle grip suction opening (59) and switch on the machine with full suction power. If necessary, quickly lift your hand on and off the end of the hose. If that does not clear the clog, you may also clear clogs by reversing the hose - see #2 below.

2. With the power off, remove the hose neck (#14, figure 34) from the suction opening (19) by squeezing the two release buttons (13). Remove the handle grip (1) from the telescopic tube (figure 35) and insert the handle end of the hose (1) into the suction opening (figure 36). Note: The handle will not fit snugly into the suction opening. Then, hold the hose upright with one hand blocking the hose neck end and switch on the machine at full suction power. If necessary, quickly lift your hand on and off the neck end of the hose (figure 36). After the clog is removed, replace the hose in the correct position.

Note! Do not insert a wire or stick into the hose. Doing so may cause damage to the hose.

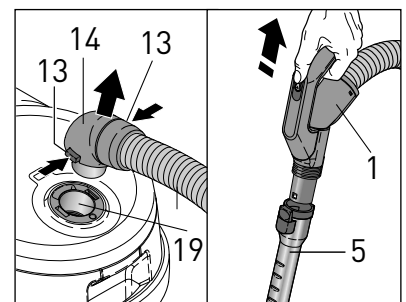


Figure 34

Figure 35

Clogs in Entrance to Filter Bag - Figure 37

Remove hose neck (14) from vacuum cleaner (see figure 34), open the filter bag cover (see page 11) and clean out entrance to bag (60).

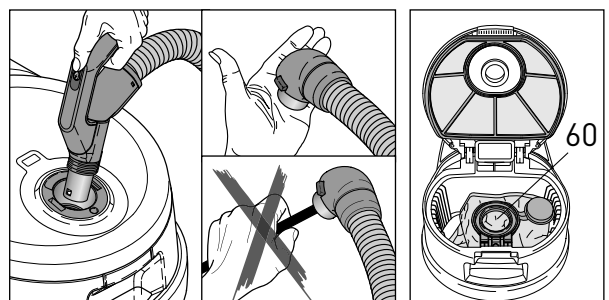


Figure 36

Figure 37

TROUBLE-SHOOTING GUIDE

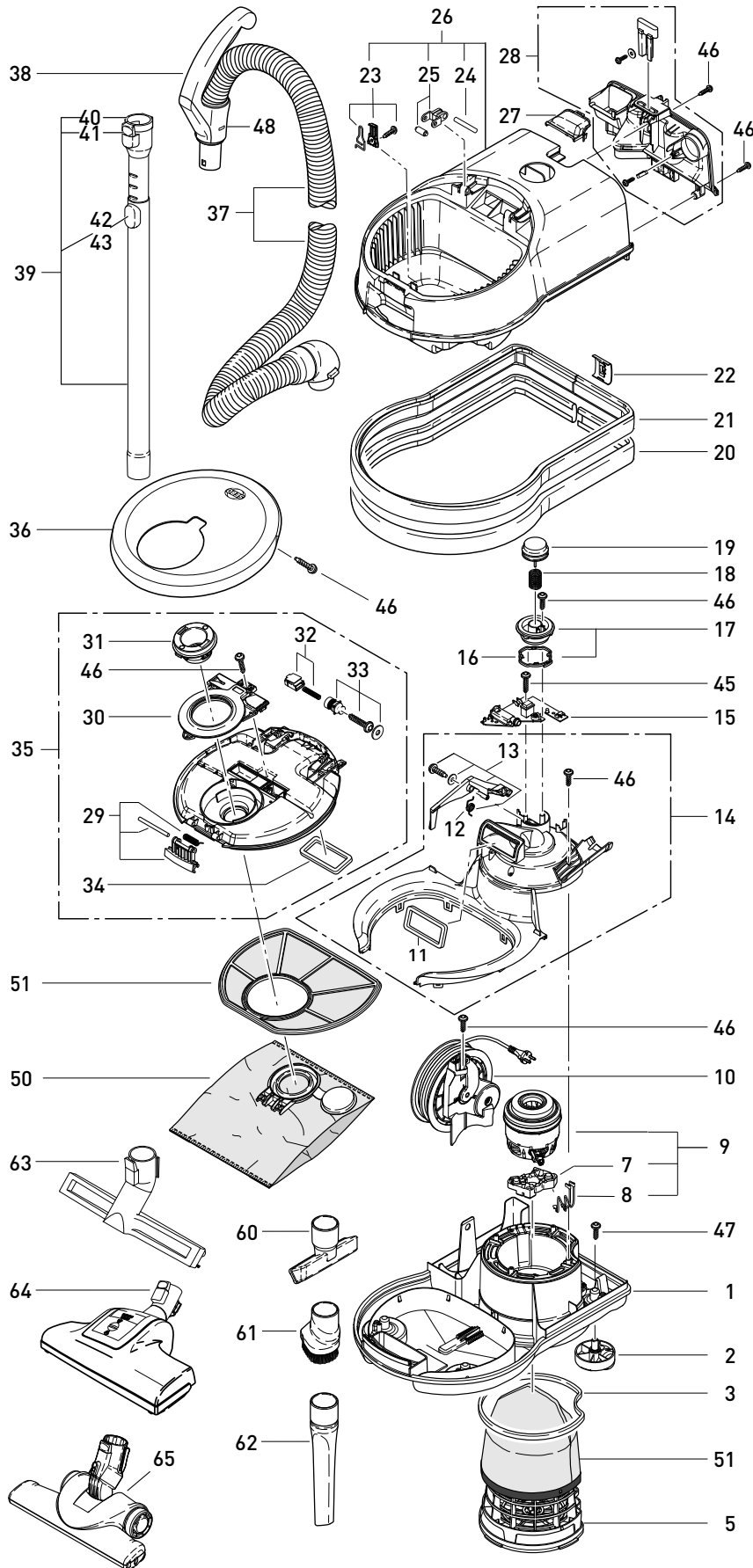


Always unplug vacuum from outlet before dismantling any part of the machine!

PROBLEM	REASON	SOLUTION
Does not turn on	1. Telescopic tube not inserted properly.	1. See page 10.
	2. Not plugged into working outlet.	2. Use another outlet.
	3. Cable worn.	3. Replace cable.
Bag full or clog light on Bag full or clog light on & machine shuts off	1. Bag full.	1. Replace filter bag. See page 12.
	2. Clog in hose, telescopic tube, brush or head, or entrance to filter bag.	2. See Clog Removal on page 14. Users with clog in power head attachment: Refer to clog removal in the ET Power Head owner's manual.
	3. Exhaust microfilter dirty.	3. Replace exhaust microfilter. See page 13.
	4. Pre-motor filter dirty.	4. Replace pre-motor filter. See page 13.
Does not pick up	1. Hose/handle assembly not correctly inserted.	1. Re-insert hose/handle assembly making sure that it is lined up properly and is snapped into place. See page 8.
	2. Filter bag cover not closed.	2. See below.
Filter bag door won't fully close	1. Filter bag cover not fully closed.	1. Re-insert bag. Lock the cover down firmly. See page 12.
	2. Bag not inserted properly.	2. Re-insert bag. Lock the cover down firmly. See page 12.
	3. Motor filter not properly inserted.	3. Remove the filter bag cover (18) and make sure the pre-motor filter is seated firmly in place all the way around the rim. See page 13.

AIRBELT D1 TURBO SCHEMATIC AND PARTS LIST

#90604AM AIRBELT D1 Turbo - Black Cherry (USA)
 #90604FC AIRBELT D1 Turbo - Black Cherry, Lava (Canada)



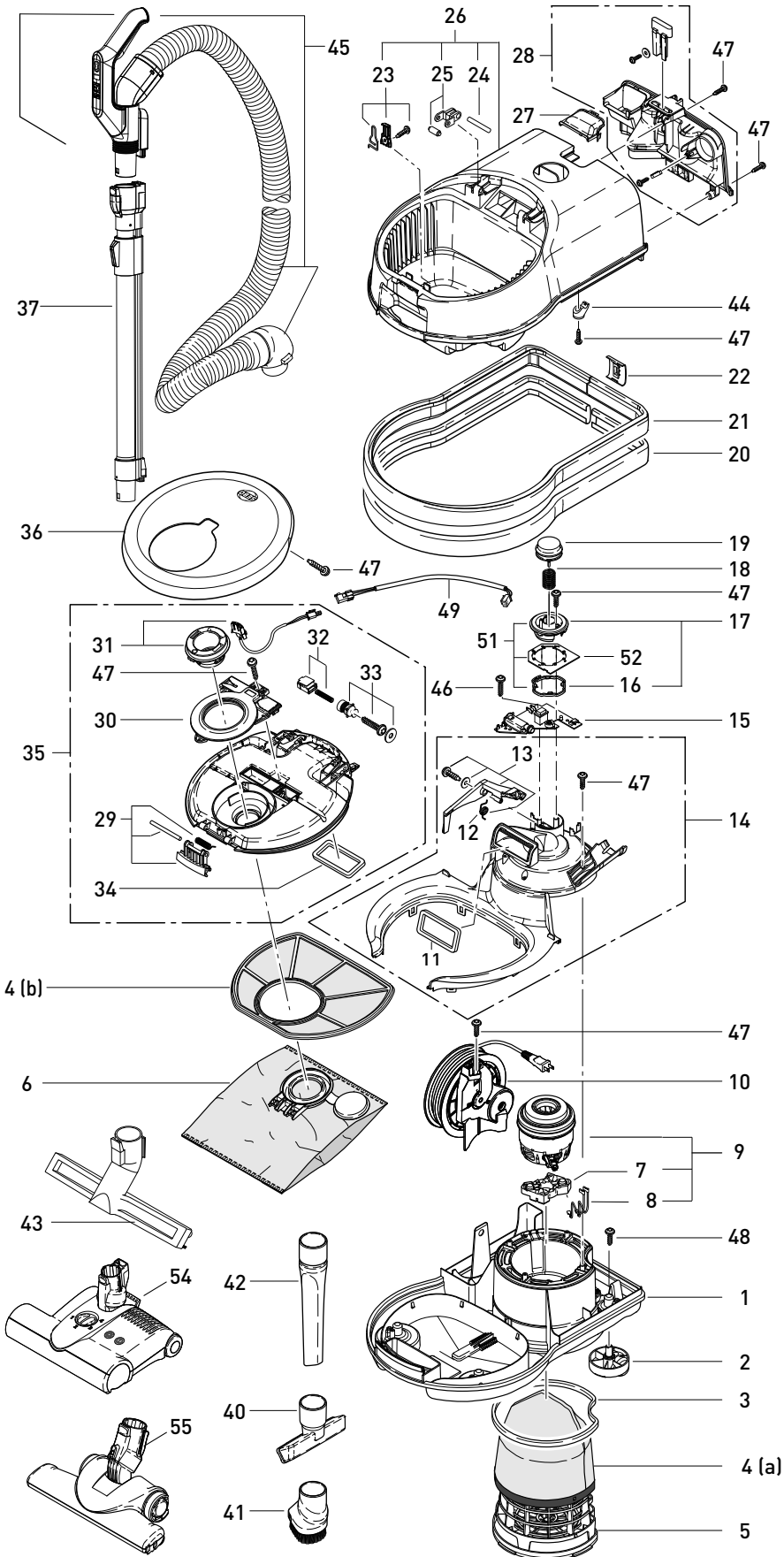
Canister with Handle/Hose

#90604AM D1 Turbo, #90604FC D1 Turbo
 Black Cherry Machine

Pos.	Part #	Description
1	8001SRER	Bottom casing, black cherry
2	8086GS	Castor, cpl.
3	8065ER	Microfilter seal
5	8084ER	Filter holder
7	8045ER	Motor support
8	8091AM	Internal cable set w/thermal cut-off
9	8048ER	Vacuum motor, 1200W
10	665613E	Cord rewinder
11	8009	Motor inlet seal
12	8098ER	Rewind lever spring
13	8036ER	Rewind lever, cpl.
14	8085ER	Motor cover, cpl.
15	8102ER	Printed circuit board
16	8058ER	Retaining ring
17	8038ER2	Power display overprinted
18	8057	Spring
19	8202GS	Power knob/suction control
20	6047AM01	AIRBELT textile, gray black
21	8033UL	Foam bumper
22	8034GS	AIRBELT clip, gray black
23	8140ER	Filter bag spring
24	6750ER	Cover axle
25	8052ER	Cover hinge
26	8003SRER	Top casing, black cherry
27	8059GS	Cable entry
28	8010GSER	Attachment holder
29	8114ER	Cover release
30	8129GS	Cover insert, UL
31	8078GS	Hose neck
32	7020ER	Bag indicator
33	8127ER	Bag indicator adjuster
34	8130	Cover seal
35	8051AM1	Inside cover cpl.
36	8005SRER	Bag cover D1, black cherry, lava
37	8169GS	Hose with end couplings incl. handle
38	6300GS	Handle grip, cpl.
39	6237ER	Telescopic tube, stainless steel
40	1736GS	Fitting neck
41	6480ER	Release button, set for tubes 6237, 6270, 6271
42	6425ER	Sliding knob
43	6238ER	Locking mechanism
45	01000	Screw 2.9x16
46	01036	Screw 4 x14
47	0102	Screw 3.39x13
48	6303GS	Retaining ring
50	8120AM	AeraPure™ filter bag
51	8191AM	Micro filter box D
60	8142GS	Upholstery nozzle
61	8146ER	Dusting brush
62	8066GS	Crevice nozzle
63	6391DA	Parquet brush (AM models)
64	8365GS	TT-C Turbo head
65	7200GS	Premium parquet brush (FC models)

AIRBELT D4 PREMIUM SCHEMATIC AND PARTS LIST

- #90940AM AIRBELT D4 Premium - Onyx (Black) (USA)
- #90940FC AIRBELT D4 Premium - Onyx (Black) (Canada)
- #90941AM AIRBELT D4 Premium - Arctic White (USA)
- #90941FC AIRBELT D4 Premium - Arctic White (Canada)
- #90948FC AIRBELT D4 Premium - Red (Canada)



Canister with Handle/Hose

#90941AM D4 Premium, Arctic White Machine

Pos.	Part #	Description
1	8001WEER	Bottom casing (2 & 3)
2	8086GS	Castor cpl
3	8065ER	Microfilter seal
4	8191AM	Microfilter box D a) Exhaust microfilter & b) Pre-motor filter
5	8084ER	Microfilter holder
6	8120AM	AeraPure™ filter bag
7	8045ER	Motor support
8	8091AM	Internal cable set w/thermal cut-off
9	8048ER	Vac motor 1200W (7 & 8)
10	665613E	Cord rewinder
11	8009	Motor inlet seal
12	8098ER	Rewind lever spring
13	8036ER	Rewind lever w/screw, washer & spring (12)
14	8085ER	Motor cover cpl (11 & 13)
15	8106ER	PCB w/ switch
16	8058ER	Retaining ring
17	8038ER1	Power display (16)
18	8057	Spring for power button
19	8037GS	Power knob
20	6047AM01	AIRBELT textile, gray black
21	8033UL	Foam bumper
22	8034GS	AIRBELT clip
23	8140ER	Filter bag spring w/hardware
24	6750ER	Bag cover axle set
25	8052ER	Bag cover hinge (2 pcs) w/ axle
26	8003WEER	Top casing (23-25)
27	8059GS	Cable entry
28	8010GSER	Attachment holder cpl
29	8114ER	Bag cover release w/axle & spring
30	8129GS	Bag cover insert
31	8079ER	Hose neck w/ wiring
32	7020ER	Bag indicator w/spring
33	8127ER	Bag indicator adjuster w/hardware
34	8130	Bag cover seal
35	8051AM4	Inside cover cpl (29-34, 47 & 50)
36	8005WEER	Bag cover, D4, white
37	60237UC	Telescopic tube
40	8142GS	Upholstery nozzle
41	8146ER	Dusting brush, horsehair
42	8066GS	Crevice nozzle
43	6391DA	Parquet brush [AM models]
44	5266	Cable clamp
45	8546AM	7' hose with handle, complete assembly only
46	01000	Screw C 2.9 x 16
47	01036	Screw 4 x 14
48	0102	Screw F 3.9 x 13
49	8160	Internal cable
51	8038ER4	Power display (16,17 & 52)
52	8108ER	PCB w/lights
54	9260AM	ET-1 Power head, arctic white

#90941FC D4 Premium Arctic White Machine Exceptions

20	6047AM02	AIRBELT textile, titanium silver
55	7200GS	Premium parquet brush

#90940AM D4 Premium, #90940FC D4 Premium Onyx (black) Machine Exceptions

1	8001SWER	Bottom casing (2)
20	6047AM10	AIRBELT textile, black/silver stripes
26	8003SWER	Top casing (23-25)
36	8005SWER	Bag cover, D4, onyx, black
54	9261AM	ET-1 Power head, black

#90948FC D4 Premium Red Machine Exceptions

1	8001DRER	Bottom casing (2)
26	8003DRER	Top casing (23-25)
36	8005DRER	Bag cover, D4, red
54	9296AM	ET-1 Power head, red

NOTES